

User Instruction Manual

Oxford® Ascend

To avoid injury, read user manual prior to use. For alternative languages, contact your authorised service provider. Always refer to Joerns.co.uk for latest revision.

Manuel de l'utilisateur

Oxford® Ascend

Afin d'éviter tout accident, veuillez lire attentivement la notice avant utilisation. Pour obtenir ces informations dans une autre langue, veuillez contacter votre prestataire de service agréé. Reportez-vous toujours à Joerns.co.uk pour la dernière révision.

Benutzerhandbuch

Oxford® Ascend

Um Verletzungen zu vermeiden, lesen Sie bitte die Gebrauchsanweisung vor der ersten Benutzung. Für andere Sprachen wenden Sie sich an Ihren autorisierten Dienstanbieter. Beziehen Sie sich immer auf Joerns.co.uk für die neueste Version.

Manual de Instrucciones

Oxford® Ascend

Para evitar posibles daños, lea previamente el manual de usuario. Para otros idiomas, póngase en contacto con su proveedor de servicios autorizado. Consulte siempre Joerns.co.uk para obtener la última revisión.

Gebruikershandleiding

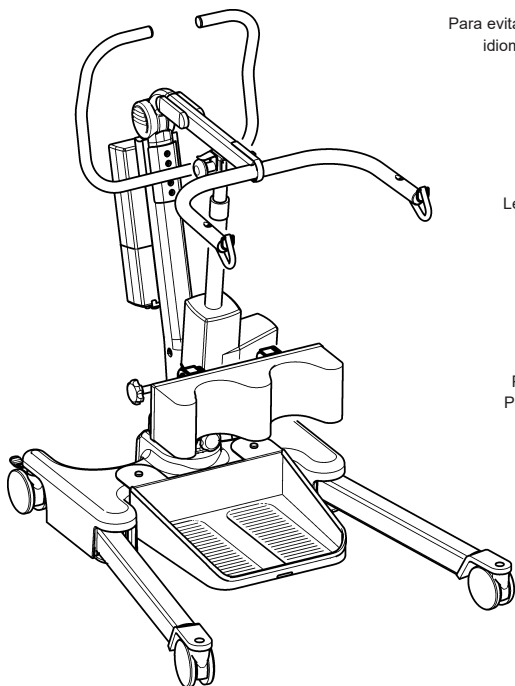
Oxford® Ascend

Lees voor gebruik de handleiding om letsel te voorkomen. Neem voor andere talen contact op met uw erkende dienstverlener. Raadpleeg altijd Joerns.co.uk voor de laatste revisie.

Manuale d'uso per l'utente

Oxford® Ascend

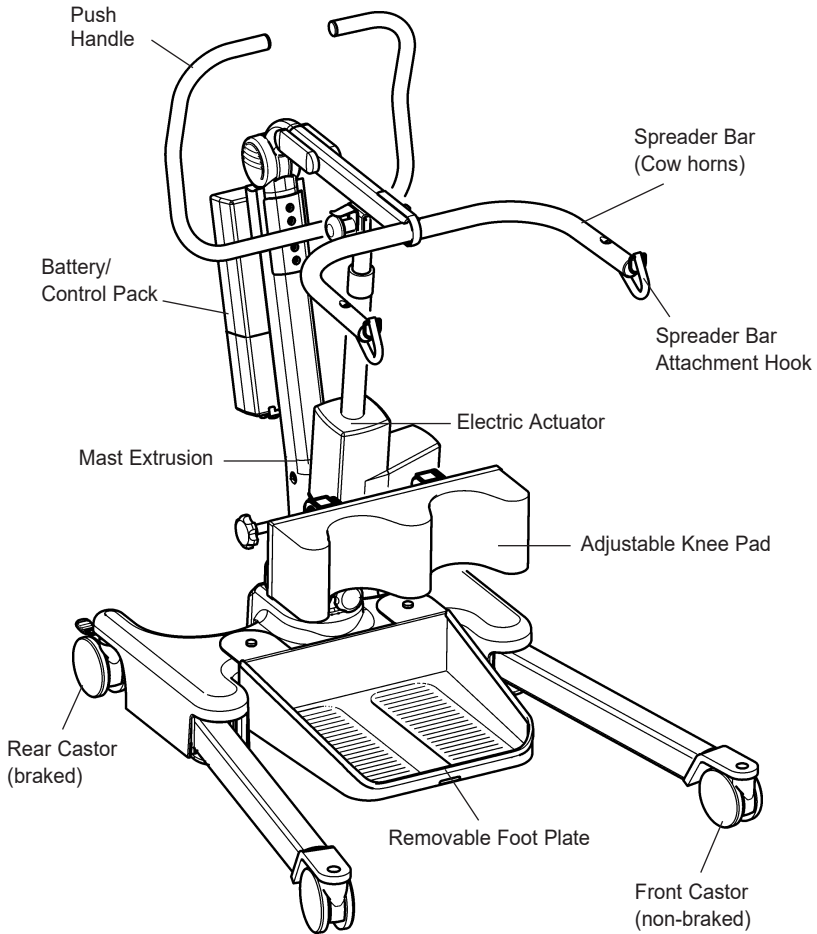
Per evitare possibili lesioni, prima dell'uso leggere questo manuale. Per altre lingue, contattare un Centro di assistenza autorizzato. Fare sempre riferimento a Joerns.co.uk per l'ultima revisione.



Contents

1. Oxford Ascend Patient Lift.....	3
2. Introduction: About Your Lift.....	4
3. Assembly and Commissioning Instructions.....	5
4. Sling Guide.....	9
5. Lifting with the Oxford Ascend	10
6. Safety Precautions	11
7. Smart Monitor and Handset	13
8. Operating Instructions	17
9. Charging Instructions.....	19
10. Maintenance Schedule & Daily Check List	21
11. Technical Specifications	23
12. Warranty	26

1. The Oxford Ascend Patient Lift



2. Introduction: About Your Lift

Each Ascend lift is fully assembled, load tested and certified before being packed/shipped. The packing consists of a strong, purpose built carton to ensure the safe arrival of the lift. A number of documents are supplied in a wallet, and packed with each lift and should be kept safely for future reference:

- TEST CERTIFICATE
- PACKING CHECK LIST
- USER MANUAL

The TEST CERTIFICATE is an important document and will be required for your insurance records. It is valid for six months and after it has expired the lift should be inspected and serviced per the maintenance schedule.

Your authorised dealer can carry out servicing and periodic testing for those countries where this is a requirement (Europe). Please ensure your lift is included in their maintenance schedule. If you are at all unsure what your local market servicing requirements are, please check with your dealer, a local government agency and/or Joerns Healthcare.

WARNING

Prior to each daily use of your lift the checks detailed in the daily checklist within this manual should be carried out.

The CE mark: The Oxford Ascend carries the CE mark and complies with the following EC directives:



- Medical Device Regulation 2017/745
- EMC Directive 2014/30/EU
- Low Voltage Directive 2014/35/EU

Statement of Intended Use

The intended use of this lifting device is for the safe lifting and transfer of an individual from one resting surface to another (such as a bed to a wheelchair). Joerns Healthcare recommends that the transfer of a patient is fully risk assessed and conducted safely over a short distance only.

The Oxford Ascend is suitable for patients in the SITTING position only who have a degree of weight-bearing ability but require assistance to stand. By removing the foot tray, the Oxford Ascend patient lift can also be used as a walking aid following a careful risk assessment.

The Oxford Ascend is designed to support and promote safe patient handling and transfer for both the patient and carer.

The Oxford Ascend stand aid is designed to be used in conjunction with the Oxford range of slings. The examples of slings suitable for use with this device are listed as follows:

- Oxford Standing Sling
- Oxford Transport Sling

WARNING

Oxford Patient Lifts should only be operated by fully trained/competent care givers.

Expected Service Life

Oxford Professional lifts are designed and tested for a minimum service life of ten (10) years, subject to the use and maintenance procedures stated in this manual. Use, other than in accordance with these instructions, may compromise service life.

Serious Incident Reporting

In the event of a serious incident taking place during use of this product, affecting the patient and/or care-giver, it must be reported to the product manufacturer or authorised distributor. Should the incident take place within the European Union (EU), it must also be reported to the local competent authority within the member state.

3. Assembly and Commissioning Instructions

Carton Contents

Place the carton in a clear working area and open carefully. The carton contains:

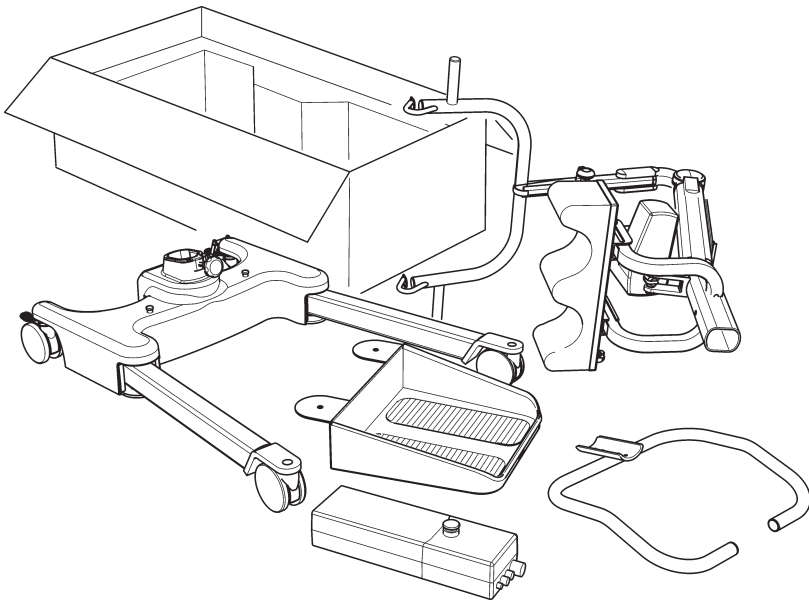
- OXFORD ASCEND LIFT
- WALLET CONTAINING DOCUMENTS
- HAND CONTROL
- BATTERY PACK
- CHARGING LEAD
- DESK TOP CHARGER/STAND

⚠ WARNING

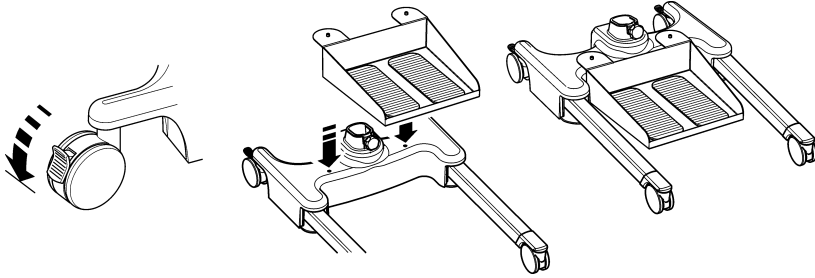
The Oxford Ascend is heavy and will need to be lifted with care. You may need assistance to lift the Oxford Ascend from the carton.

Assembly

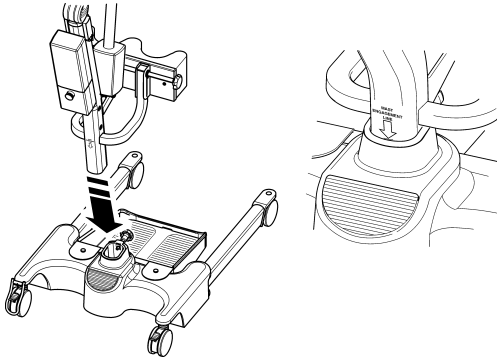
Remove all the parts from the carton and place on the floor, taking care to protect the finish from damage.



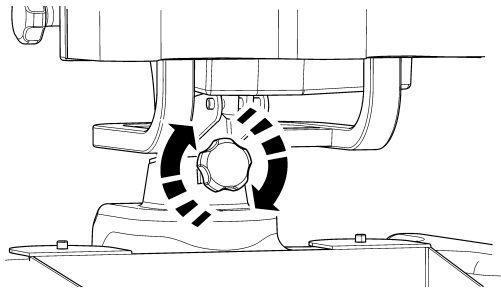
1. Place the chassis in a clear space and apply the rear brakes. Attach the foot tray to the base using the location holes positioned on the base casting.



2. Fit the mast and boom assembly into the chassis socket.



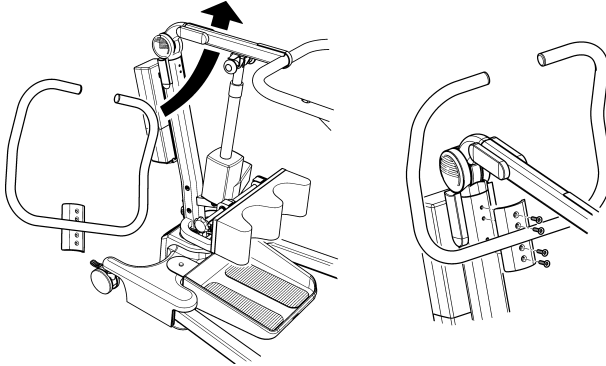
3. Tighten the mast assembly with the mast-locking device, which is located at the front of the chassis.



⚠ WARNING

Avoid trapping fingers. Keep fingers away from the end of the mast when inserting into the chassis socket. Full engagement of the mast is indicated by the label on the side of the mast. The electric leg operation will not function unless the mast is fully engaged.

4. Turn the locking knob until hand tight.
5. Line the handle assembly up to the mast, and attach using the fixings provided. The fixings and wrench needed to attach the handle are kept in the user instruction wallet for safe keeping.



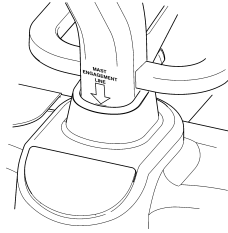
6. Fit power pack to the lift and make sure the latch holding the pack in place is fully engaged. "Click" in place.

Disassembly

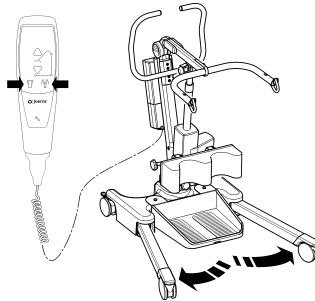
The lift should not be disassembled unless for service, repair or transport if necessary. Therefore follow the assembly instructions in reverse sequence.

ALWAYS CHECK THE FOLLOWING BEFORE OPERATION

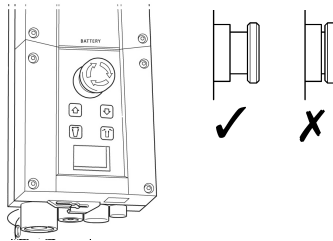
- The mast is fully locked into position.



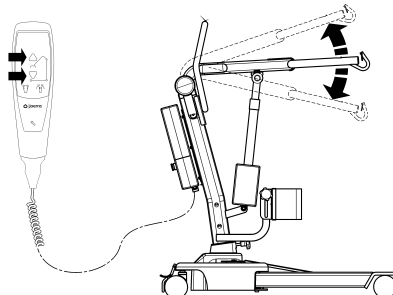
- The legs of the lift open and close satisfactorily (This is done via the hand control).



- The red emergency stop button, located on the rear of the control box, is in the OFF (out) position.



- Push the up and down buttons on the hand control and confirm the boom rises and lowers.



4. Sling Guide

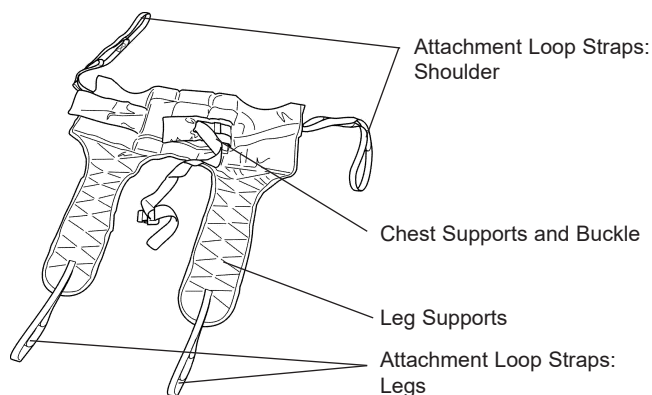
The Oxford Ascend is suitable for patients in the SITTING position. The slings suitable for this device are listed as follows:

- Oxford Transport
- Oxford Standing

User Guide For Standard Slings

The Transport and Standing sling is an easy fit sling, suitable for standing and supporting. It is not a general purpose sling and patients must be assessed for suitability by a qualified person.

Transport Sling



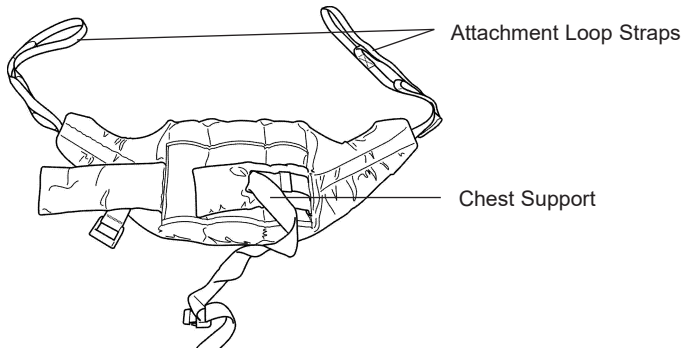
Feed the sling down the back of the patient leaving the top of the commode aperture at the base of the spine. Check the roll part of the sling is square across the patient's back.

Attach the support strap around the chest of the patient. This strap need not be tight. It is there to hold the sling in position whilst attaching the loops to the Standard. It may be left off altogether if preferred. Ensure patient's arms are on the outside of the sling.

Raise the patient's leg and feed the leg strap under and up between the legs. Ensure the sling is not twisted or creased under the thigh. Repeat this procedure for the other leg. Attach the loops on the roll parts of the sling to the white hooks at the end of the hand grips.

Without crossing the loops on the leg straps, attach to left and right black knobs on the lifting fork. You would normally use the middle of the three loops. The patient is now ready to be raised from the seat. Once clear of the seat, the patient will be more comfortable if lowered back in to the sitting position.

Standing Sling



Place the sling down behind patient's back between base of shoulder blades and bottom of rib cage. Attach the support straps around the front of the patient. This strap need not be tight. It is there to hold the sling in position whilst attaching the sling to the Standaid. It may be left off altogether if preferred. Ensure that the patient's arms are outside the sling.

NOTE: For detailed fitting instructions, please refer to the user guide supplied with each sling.

⚠ WARNING

Joerns Healthcare recommends that slings be checked regularly and particularly before use for signs of fraying or damage. **DO NOT** use slings that are worn or damaged.

⚠ WARNING

OXFORD RECOMMENDS THE USE OF GENUINE OXFORD PARTS. Oxford sling and lift products are designed to be compatible with one another. For country specific guidance on sling use and compatibility, please refer to the sling label or contact your local market distributor or Joerns Healthcare.

⚠ WARNING

Refer to maximum weight capacity of lift. Sling capacity is limited by the maximum capacity of the lift.

5. Lifting with the Oxford Ascend

Position Standaid so that the patient's feet fit in the foot tray and knees rest against the knee pad. Initially attach the longer loops of the sling to the grey hooks at the end of the Standaid hand grips. The patient's hands should be placed on the handgrips. (Once the patient is used to the lift the shorter loops may be used to achieve a more upright position). Then push UP button on handcontrol to raise the patient to the standing position.

6. Safety Precautions

Please read and follow the safety precautions listed below. The operation and use of Oxford patient lifts is simple and straightforward. Following these few basic safety precautions will make lifting operations easy and trouble free.

READ AND UNDERSTAND THE USER INSTRUCTION MANUAL BEFORE USING YOUR “ASCEND”

WARNING: Important safety information for hazards that might cause serious injury.

CAUTION: Information for preventing damage to the product.

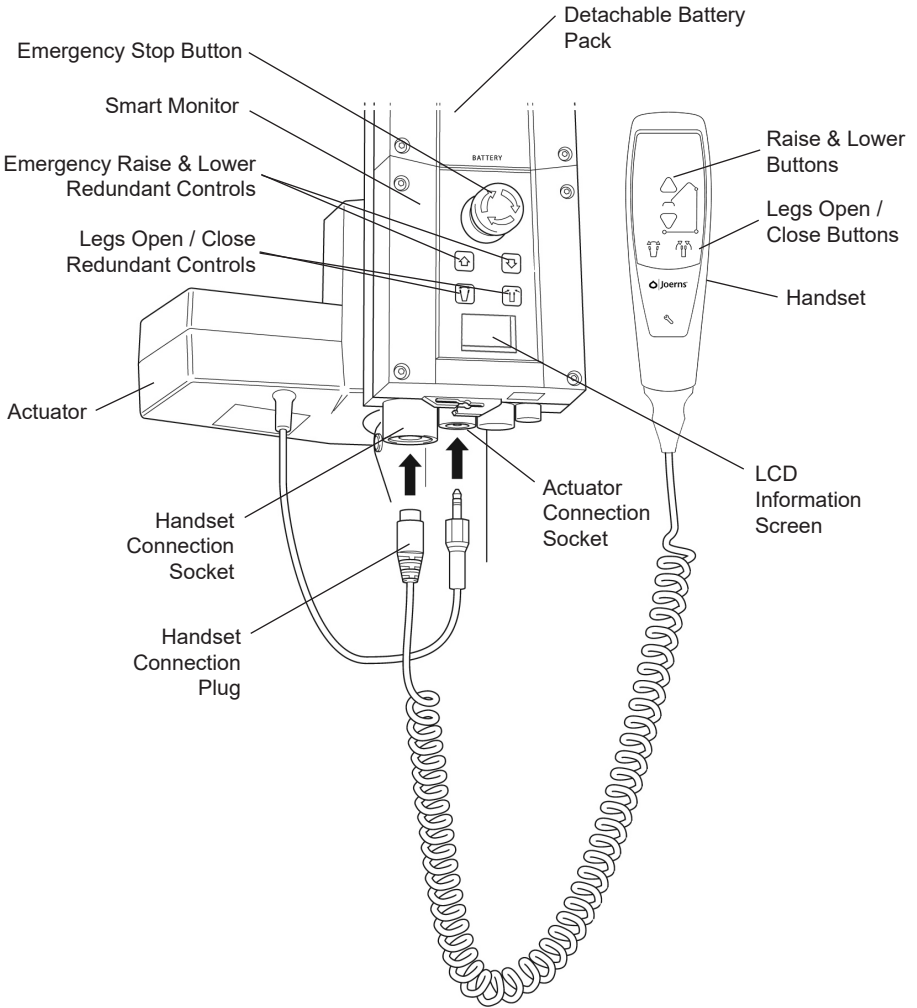
NOTE: Information to which you should pay special attention.

WARNING

- Oxford patient lifts should only be operated by fully trained/competent care givers.
- **ALWAYS** plan your lifting operations before commencing.
- **ALWAYS** carry out the **DAILY CHECK LIST** before using the lift.
- **ALWAYS** familiarise yourself with the operating control and safety features of a lift before lifting a patient.
- **DO NOT** use a sling unless it is recommended for use with the lift.
- **ALWAYS** check the sling is suitable for the particular patient and is of the correct size and capacity.
- **NEVER** use a sling which is frayed or damaged.
- **ALWAYS** fit the sling according to the instructions provided (user instructions).
- **DO NOT** exceed the safe working load.
- **ALWAYS** check the safe working load of the lift is suitable for the weight of the patient.
- **ALWAYS** carry out lifting operations according to the instructions in the user manual.
- **NEVER** disconnect or bypass a control or safety feature because it seems easier to operate the lift.
- **DO NOT** lift a patient with the castor brakes on. Always let the lift find the correct centre of gravity.
- **DO NOT** attempt to manoeuvre the lift by pushing on the mast, boom or patient.
- **ALWAYS** manoeuvre the lift with the handle / foot push pad provided.
- **ALWAYS** lower the patient to the lowest comfortable position before transfers.

- **DO NOT** push a loaded lift at speeds which exceed a slow walking pace (3 Km/hour 0.8 metres/second).
- **DO NOT** push the lift over uneven or rough ground. Particularly if loaded.
- **DO NOT** attempt to push/pull a loaded lift over a floor obstruction.
- **NEVER** force an operating/safety control. All controls are easy to use and do not require excessive force.
- The **MINIMUM** load required to manually lower the hoist using the mechanical emergency down function is 30 kg.
- **DO NOT** park a loaded lift on **ANY** sloping surface.
- **DO NOT** use electric lifts in a shower.
- **DO NOT** charge an electric lift in a bathroom or shower room.
- **DO NOT** lift a patient unless you are trained and competent to do so.
- **YOUR** lift is for patient lifting. **DO NOT** use it, or allow it to be used, for any other purpose.
- **DO NOT** bump the lift down steps, loaded or unloaded.
- **DO NOT** attempt to negotiate a loaded lift on a slope which exceeds 1:12 (approximately 5 degrees).
- **DO NOT** attempt to negotiate a slope without a second helper being present.
- **DO NOT** use in a wet or corrosive environment such as poolside locations.

7. Smart Monitor & Handset



Intended Use

The Oxford Smart Monitor is a control system for Oxford Hoists. The Smart Monitor stores useful servicing information about the hoist that can be recalled when required. This servicing information includes:

- Number of patient lift cycles
- Total work done by actuator
- Number of lift overloads (attempted lifts above the safe working load)
- Number of days since last service interval

The Oxford Smart Monitor contains a microprocessor inside making it possible to read out service data via the on-board LCD screen.

Features

- Data collection in the control box with data display via LCD screen
- Work counter
- Intelligent cycle counter
- Service indicator
- Service interval indicator
- Overload information
- 3 step battery indicator




Benefits

- Improved safety for both patient and carer
- Accurate service data available at the touch of a button
- Optimised product life time
- Ease of maintenance for engineers and service technicians
- Fast and easy error identification

LCD Display Screen

The Oxford Smart Monitor has the option to read out information via the LCD display screen. It is possible to read out total lifting cycles, total work done, overloads and number of days since last service, which can be used to quickly and easily evaluate the condition of the lift actuator.

This information is accessed by a ½ second press on the 'UP' button on the User handset or redundant 'UP' button on the Smart Monitor.

	12034	— Total Lifting Cycles
A*S	1257000	— Total Work Done (Amps * Seconds)
	7	— Number of Overloads
	90/180	— Number of Days (since last service) / Number of Days (between services)

Service & Usage Information



When it is time for a service, the service symbol will appear on the display. In addition, when the user handset is activated, the Smart Monitor will give an audible signal giving notice to users that a service is required.

The service symbol will be displayed each time the raise or lower keys are depressed on the User handset. When the service symbol is displayed, contact your authorised service provider immediately to arrange a service.

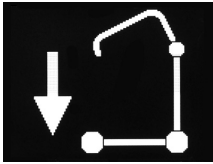


If the lift stops because of an overload (an attempt to lift more than the safe working load) the overload symbol will appear on the LCD display and the lift will cease to operate until the additional load (above the SWL) has been removed.

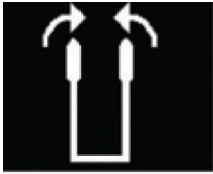
WARNING

If the LCD display screen on your Smart Monitor has recorded an overload, Joerns Healthcare recommend that ALL routine daily checks are carried out on the lift prior to further use (for a list of daily checks, please refer to your lift user manual). Joerns Healthcare also recommend that you contact your authorised Oxford service provider for additional guidance.

On-Board Redundant Controls



On-board redundant controls enable the lift to be raised or lowered in the event of an emergency.

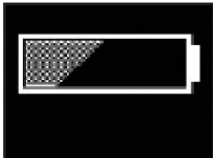


If your lift incorporates powered leg positioning, there are redundant controls to both open and close the legs.

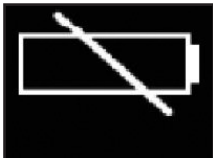
Battery Information



The display showing full battery means that the battery is fully charged and the lift is ready for use.



The display showing a half empty battery indicates that it is time to charge the battery.



The empty battery symbol showing on the display indicates that the battery has no capacity left and should be placed on charge immediately.

WARNING

To avoid possible permanent damage to the battery, the battery should be placed on charge as soon as the display indicates the half empty battery symbol.

8. Operating Instructions

WARNING

Oxford patient lifts should only be operated by fully trained/competent care givers.

1. Leg adjustment

The legs on the Oxford Ascend are electrically adjustable for width. The legs can be opened to enable access around armchairs or wheelchairs. For transferring and negotiating narrow doorways and passages the lift legs should be in the closed position.

Electric leg adjustment - is achieved by pressing the appropriate buttons on the handcontrol. The legs will be locked whenever the handcontrol switch is released.

2. Castors and Braking

The lift has two braked castors which can be applied for parking. When lifting, the castors should be left free and un-braked. The lift will then be able to move to the centre of gravity of the lift. If the brakes are applied it is the patient that will swing to the centre of gravity and this may prove disconcerting and uncomfortable.

3. Raising and lowering the boom

The movement of the boom is achieved by a powerful electric actuator, which is controlled by a simple hand control unit. The handcontrol has two buttons with directional arrows UP and DOWN $\uparrow\downarrow$. The actuator stops automatically at the limit of travel in both directions. The handcontrol plugs into a socket at the base of the control box.

4. Emergency Stop

The red Emergency Stop Button is located on the front of the control box and is activated by pressing in. This will cut all power to the lift and only be reset by twisting the button anticlockwise and releasing.

5. Redundant controls

All Oxford lifts are fitted with raise and lower buttons on the control box. These are located underneath the emergency stop button and can be used to lower/raise the patient should the hand control fail.

6. Mechanical Emergency Down

In the case of a complete electrical failure the electrical actuator is fitted with mechanical lowering device (RED BOSS). This will only operate when the lift is under load. The device must be pulled upwards to activate, and a slow descent will commence.

Note: The MINIMUM load required to manually lower the hoist using the mechanical emergency down function is 30 kg. This is an emergency device and not intended for repetitive use.

7. Batteries

A LOW VOLTAGE ALARM protects the batteries from deep discharge. This will sound when the batteries need recharging and the hand control is being operated. It will not sound independently of the hand control being operated. **DO NOT IGNORE THIS WARNING ALARM.** Complete the lifting operation and place the battery on charge (see charging instructions). The battery charge level is displayed by the indicator on the control box.

CAUTION

The battery, charger, hand control, control box and actuator should not be opened by unauthorised personnel. (Contact your distributor for warranty and repairs).

8. Slings

The Oxford Ascend is suitable for patients in the SITTING position. The slings suitable for this device are listed as follows:

- Oxford Transport
- Oxford Standing

9. Knee Pad Adjustment

The Ascend has an adjustable kneepad. The range of travel is 6 inches. Adjustment is achieved by loosening the knob located on the left hand side of the pad, so to loosen the assembly enough to move the knee pad in either the upward, or downward position.

10. Removable Footplate

The Ascend has a removable footplate. To remove the foot plate, move to the front of the product, and lift the footplate upward from the middle of the assemble. NOTE Be careful when lifting the footplate from its low-seated position.

9. Charging Instructions

When the power pack needs charging it is removed from the lift and fitted to an off board charging unit.

Joerns Healthcare recommend an additional battery pack is purchased, so that one pack can be on charge at all times.

1. Remove the power pack from the lift. The pack is retained by a simple latch at the top of the power pack. Lift the latch and the power pack will be released.
2. Fit the power pack to the charging unit. The location and latching of the power pack to the charger is the same system as used on the lift.
3. Plug the charger mains plug into a suitable mains outlet and switch the mains supply ON.
4. Charging is automatic and will fully charge the batteries over a period of four (4) hours.

NOTE: Even if the charger is left plugged in for extended periods it will not allow the batteries to overcharge.

- a) Green Light - Indicates main power is on.
- b) Yellow Light - Indicates battery is charging.
- c) Battery will be fully charged when yellow light goes off.

NOTE: It is recommended that the battery be charged immediately upon receipt.

5. To return the lift to service, switch OFF the mains supply and remove the power pack from the charger. Fit the power pack to the lift and make sure the latch holding the pack in place is fully engaged. "Click" in place. The charging of Oxford electric lifts is simple and straightforward, but it is important to follow the charging instructions closely. Please pay particular attention to the following points, they will help you avoid problems with discharged batteries.

WARNING

- **The battery, charger, hand control & control box are NOT to be opened by unauthorised personnel. (Contact your distributor for warranty and repairs).**
- **DO NOT touch battery/charger terminals.**
- **KEEP the batteries fully charged. Place the battery on charge whenever it is not in use. If it is more convenient to do so, place on charge every night. The charger will not allow the batteries to overcharge.**
- **NEVER run the batteries completely flat. As soon as the audible warning sounds, complete the lifting operation in hand and place on charge.**
- **To avoid possible permanent damage to the battery, the battery should be placed on charge as soon as the display indicates the half empty battery symbol.**
- **NEVER store the battery for long periods without regular charging throughout the storage period.**
- **ALWAYS make sure the mains power to the charger is switched off before connecting or disconnecting the battery pack.**

- **NEVER** leave the battery pack connected with the charger mains power switched off.
- **DO NOT** leave the charger switched on with the battery disconnected.
- **DO NOT** use the lift while charging is taking place.
- **CHECK** the lift is not charging before moving as the electrical connection may be damaged.
- **NEVER** disconnect the charger plug by pulling on the cable.
- **BE CAREFUL** not to trip over the charge lead.
- **DO NOT** charge an electric lift in a bathroom or shower room.

10. Maintenance Schedule & Daily Check List

All Oxford products are designed for minimum maintenance, however some safety checks and procedures are required. A schedule of DAILY tasks are detailed below. Daily checks and a six monthly service, inspection and test will ensure a lift is kept in optimum safe working condition. A list of spare parts is available upon request.

The **LOAD TEST** and certification should only be carried out by qualified personnel or an authorised service agent / dealer.

DAILY CHECK LIST: Joerns Healthcare strongly recommends the following checks be carried out on a daily basis and before using lift.

- ENSURE the lift moves freely on its castors.
- EXAMINE the spreader bar (cow horns) is firmly attached to the boom.
- EXAMINE the sling hooks/clips on the spreader bar for damage and/or excessive wear.
- ENSURE the legs open and close correctly and lock in all open and closed positions.
- OPERATE the hand control to confirm the boom raises and lowers satisfactorily.
- ENSURE the control box display panel DOES NOT have a spanner symbol illuminated and no audible beep can be heard when depressing raise/lower buttons.
- CHECK the operation of the emergency stop button.
- EXAMINE slings for fraying or other damage. DO NOT use any sling if damaged or if the sling shows signs of wear.
- CONFIRM the lift is not sounding a low battery alarm when the hand control is operated. If the alarm sounds, DO NOT use, and place on charge immediately.
- MAKE SURE the actuator connection points are secure.
- VISUALLY INSPECT all fixings and fasteners and ensure they are secure prior to use.

Maintenance, Inspection and Test

Joerns Healthcare recommend a thorough inspection and test of the Oxford Ascend lift and lifting accessories, slings, scales etc is carried out on a regular basis. Inspection frequency varies depending on locality, so you must check with your dealer or local government agency as appropriate regarding how often an inspection is required. The examination and test should be conducted according to the recommendations and procedures provided in this manual. Joerns Healthcare recommends maintenance, inspection and certified testing is carried out by authorised service agent / dealers only.

NOTE: These recommendations are in compliance with the requirements of 1998 No2307 Health and Safety: The Lifting Operations and Lifting Equipment Regulations 1998. This is a UK regulation. **Outside the UK please check your local requirements.**

Cleaning

Clean with ordinary soap and water and/or any hard surface disinfectant. Harsh chemical cleaners or abrasives should be avoided as these may damage the surface finish of the lift. Avoid wetting any of the electrical parts. After cleaning, the unit should be thoroughly dried.

End of Life Disposal

Battery: All batteries in the product and any accompanying accessories must be recycled separately. Batteries should be disposed of in accordance with local or national regulations.

Slings: Slings and associated material accessories should be sorted as combustible waste in accordance with local or national regulations.

***THESE CHECKS SHOULD INCLUDE:**

	Initially	Before Use	Service Intervals
1. BOOM: Check the attachment of the boom to the mast. Make sure there is only minimal side movement of the boom and the boom is free to rotate on the boom bearing.	✓	✓	✓
2. SLING ATTACHMENT POINTS: Examine the sling hooks and attachment clips on the spreader bar and boom for excessive wear.	✓	✓	✓
3. MAST: Check the operation of the mast-locking device. Make sure the mast fully engages into the socket.	✓	✓	✓
4. ACTUATOR: The actuator should require no maintenance other than checking for correct operation and listening for unusual noise.			✓
5. KNEE PAD: Check knee pad adjuster is fastened securely.	✓	✓	
6. SMART MONITOR: Check the function of the emergency stop button. Inspect the hand control socket for correct fitting. Check functioning of the hand control. Check the redundant controls and confirm they operate as intended. The MINIMUM load required to manually lower the hoist using the emergency lower function is 30 kg.	✓	✓	✓
7. BATTERIES: The batteries are housed in the power pack and should not require maintenance other than the regular charging as detailed in the charging instructions. Check that the connections remain clean.			✓
8. BATTERIES (Charging): Confirm the lift is not giving a low battery alarm when the hand control is operated. If the alarm sounds, do not use and place the battery on charge immediately.	✓	✓	
9. LEG ADJUSTMENT: Check the legs operate in both full extensions (inward/outward).	✓	✓	✓
10. CASTORS: Check all castors for firm attachment to the legs. Check for free rotation of the castor and the wheels.	✓	✓	✓
11. CLEANING: Using a damp cloth, wipe clean with ordinary soap and water and/or any hard surface disinfectant. Harsh chemical cleaners or abrasives should be avoided as these may damage the surface finish of the lift. Avoid wetting any of the electrical parts. After cleaning, the unit should be thoroughly dried.		✓	✓
12. LOAD TEST: The load test should be carried out in accordance with the manufacturers test procedures. It is strongly recommended that an authorised service dealer carry out the test.			✓
13. BASE AND WHEELS: Ensure base is even and level (all four wheels are on the floor).	✓	✓	✓
14. SLINGS: Check for wear and fraying.	✓	✓	✓
15. LUBRICATION: Lubricate pivot joints with a silicone based oil, including mast and boom connections, pedal assembly, spreader bar joint (only if required).			✓
16. HAND SET: Ensure plugged fully into controller.	✓	✓	

11. Technical Specification

Safe Working Load	440 lbs	200 kg
Maximum Overall Length	43.3 inches	1100 mm
Minimum Overall Length	40.8 inches	1035 mm
Maximum Overall Height.....	66.5 inches	1690 mm
Minimum Overall Height.....	48.4 inches	1230 mm
Maximum Height to attachment point.....	64.7 inches	1644 mm
Minimum Height to attachment point.....	37 inches	940 mm
Turning Radius	51.9 inches	1320 mm
Legs Open - External Width	39.1 inches	995 mm
Legs Open - Internal Width	34.8 inches	885 mm
Legs Closed - External Width	24.8 inches	630 mm
Legs Closed - Internal Width	20.0 inches	510 mm
Widest Point (between support handles)	28.9 inches	735 mm
Overall Height of Legs.....	4.7 inches	120 mm
Ground Clearance	1.4 inches	35 mm
Front Twin Castors.....	4.0 inches	100 mm
Rear Braked Castors.....	4.0 inches	100 mm

Weights

Mast, Base & Boom Assembly.....	97 lbs	44.0 kg
Power Pack	6.6 lbs	3.0 kg
Total.....	103.6 lbs	47.0 kg
Base Assembly (not inc battery)	42.9 lbs	19.5 kg
Mast & Boom (not inc battery)	45.1 lbs	20.5 kg

NOTE: Manufacturing tolerances apply to all dimensions.

Electrical Specifications

BATTERIES.....	24 volt Rechargeable sealed lead acid type
BATTERY CAPACITY	3.2 Ampere hours
CHARGER RATED INPUT	100 - 240 V AC// 24 VDC 50/60 Hz
CHARGER RATED OUTPUT	29.5 VDC, Max. 19 W

Electric Shock Protection

CHARGER.....	CLASS II
LIFT	INTERNAL POWER SOURCE

Degree of Shock Protection

CHARGER.....	TYPE B
LIFT	TYPE B

Environmental Conditions

Outside this environment functionality and safety may be compromised.

Operating:

Temperature	5°C to 35°C
Relative humidity	20% to 90% @ 30°C - not condensing
Atmospheric pressure	700 to 1060 hPa

Storage:

Temperature	5°C to +50°C
Relative humidity	20% to 90% @ 30°C - not condensing
Atmospheric pressure	700 to 1060 hPa

IP RATINGS

Control Box	IPX4
Actuator	IPX4
Off Board Charger	IPX5
Battery	IPX5
Handset	IPX5

DUTY CYCLES

Actuator	10% (2 min./18 min.)
Charger	Approx. 4 hrs.

ACOUSTICS

A-Weighted sound power level	55.6 dB (A)
------------------------------------	-------------

KEY SYMBOLS:

The following symbols are used on the charger, control unit and battery:



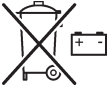
This product is a Medical Device in accordance with EU Medical Device Regulation 2017/745.



Type B equipment, as per EN 60601-1.



Class 2 equipment.



The disposal of batteries should not be mixed with general household waste. Batteries should be disposed of in accordance with local or national regulations.



The disposal of electronics should not be mixed with general household waste.



For indoor use.



ATTENTION, consult accompanying documents.



Refer to the user instructions before use (Blue background).



Certification mark indicating conformity with the applicable requirements for products sold within Great Britain.



A point of contact between the non-European medical device manufacturer, the national Competent Authorities (Ministry of Health) and Notified Bodies.



A unique device identification intended to provide single, globally harmonised positive identification of medical devices through distribution and use.



Indicates the entity importing the medical device into the locale.

12. Warranty

Joerns Healthcare has an established network of authorised distributors and service agents who will be pleased to handle all of your purchasing, warranty, repair and maintenance enquiries. It is recommended that our products are commissioned by your authorised distributor or service agent.

The distributor or service agent operates the warranty programme, so it is important to keep a record of their name, address and telephone number so they can be contacted should any problem arise. If you are in any doubt as to where your lift was purchased, Joerns Healthcare can trace the supplier if you quote the serial number of the lift.

All warranty claims are subject to the correct use and maintenance in accordance with the user instruction manual provided with each lift. Damage caused by use in unsuitable environmental conditions or failure to maintain the product in accordance with user and service instructions is not covered. Your statutory rights remain unaffected.

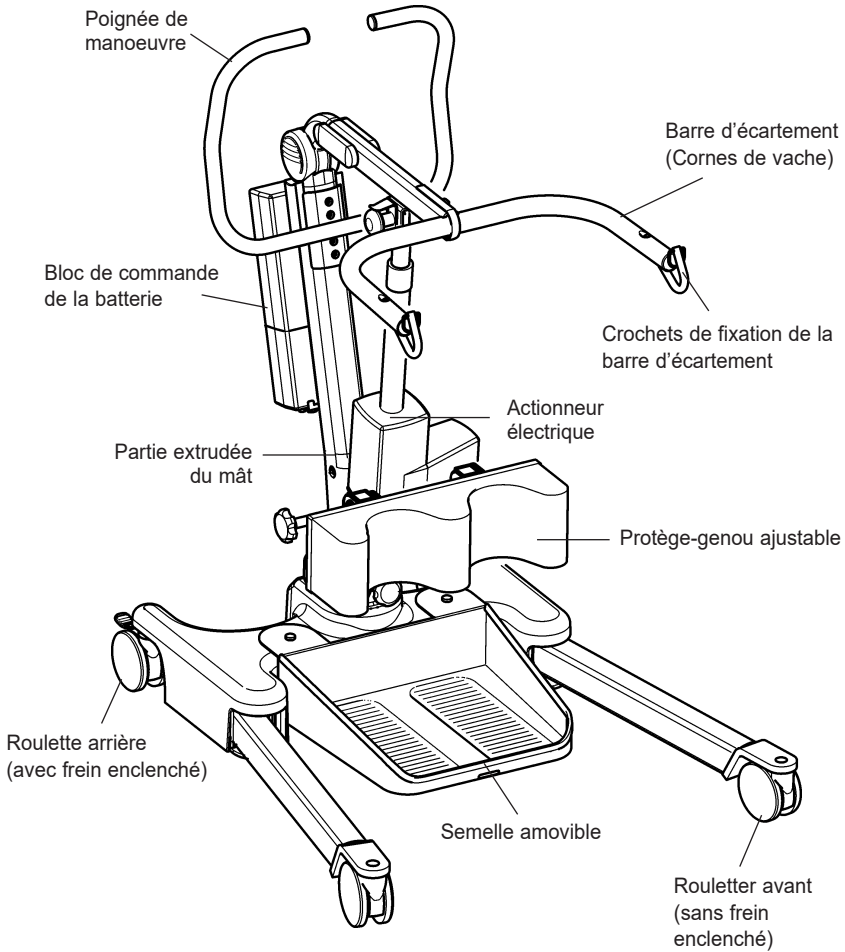
REMEMBER: Contact your authorised distributor or service agent for purchases, repairs, servicing and certified maintenance.

Your distributor:

Table des matières

1.	Lève-personne Oxford Ascend.....	29
2.	Introduction: À propos de votre lève-personne.....	30
3.	Instructions de montage et de mise en service.....	31
4.	Guide des courroies.....	35
5.	Soulever le patient à l'aide du Oxford Ascend.....	36
6.	Consignes de sécurité.....	37
7.	Moniteur Smart et commande manuelle.....	39
8.	Instructions de fonctionnement.....	43
9.	Instructions de charge.....	45
10.	Périodicité d'entretien.....	47
11.	Spécifications techniques.....	50
12.	Garantie.....	53

1. Lève-personne Oxford Ascend



2. Introduction: A propos de votre lève-personne

Chaque lève-personne Ascend a été entièrement assemblé, soumis à des tests de charge et homologué avant d'être emballé/expédié.

L'emballage de chaque lève-personne comprend une pochette contenant un certain nombre de documents qui doivent être conservés en lieu sûr au cas où ils devraient être consultés ultérieurement:

- CERTIFICAT D'ESSAI
- LISTE DE VERIFICATIONS D'EMBALLAGE
- MANUEL D'UTILISATION

Le CERTIFICAT D'ÉPREUVE est un document important dont vous aurez besoin pour votre assurance. Il est valide pendant six mois, après cette période le lève-personne doit être inspecté et entretenu suivant le cycle d'entretien.

L'entretien et les essais périodiques peuvent être effectués par votre revendeur agréé en cas de besoin (Europe). Assurez-vous que votre lève-personne est inscrit dans le calendrier d'entretien de votre revendeur. En cas d'incertitude concernant les normes d'entretien locales, veuillez vous renseigner auprès d'un organisme gouvernemental local et / ou de Joerns Healthcare.

⚠ AVERTISSEMENT

Avant chaque utilisation du lève-personne, référez-vous à la liste des vérifications quotidiennes fournie dans le manuel.

Marque CE: Le lève-personne Oxford Ascend porte le marquage CE et est conforme aux directives européennes suivantes :



- Medical Device Regulation 2017/745
- Directive EMC 2014/30/EU
- Directive relative aux basses tensions 2014/35/EU

Déclaration d'utilisation prévue

L'usage prévu de cet appareil de levage consiste à lever et à transférer en toute sécurité un patient depuis un point à un autre (par ex. depuis un lit vers un fauteuil roulant). Joerns Healthcare recommande de toujours procéder à une évaluation des risques avant d'entreprendre le transfert d'un patient, et de limiter le transfert à de courtes distances.

Le lève-personne Oxford Ascend est prévu pour les patients en position ASSISE seulement, capables de maintenir un minimum leur poids mais nécessitant une assistance pour se mettre en position debout. Pour utiliser le lève-personne Oxford Journey comme aide à la marche, il suffit de retirer le cale-pieds après avoir procédé à une évaluation des risques afin de déterminer l'adéquation du matériel à cet effet.

Le lève-personne Oxford Ascend est prévu pour assurer et promouvoir la sécurité à la fois du patient et de l'aide-soignant.

Le lève-personne Oxford Ascend est prévu pour être utilisé avec les différentes sangles Oxford. Les exemples de sangles compatibles avec ce matériel sont énumérés ci-dessous:

- Oxford Standing Sling
- Oxford Transport Sling

⚠ AVERTISSEMENT

Les lève-personnes Oxford doivent être manipulés exclusivement par du personnel soignant formé/compétent.

Durée de vie prévue

Les lève-personnes Oxford Professional sont conçus et testés pour une durée de vie minimum de dix (10) ans, si les consignes d'utilisation et d'entretien énoncées dans le présent manuel sont respectées. Toute utilisation non conforme aux consignes peut compromettre la durée de vie du matériel.

Signalement d'un incident grave

Tout incident survenant durant l'utilisation de ce produit et ayant des conséquences pour le patient et/ou le professionnel de santé doit être porté à la connaissance du fabricant du produit ou du distributeur agréé. Si l'incident se produit au sein de l'Union européenne (UE), il doit également être signalé aux autorités compétentes de l'État membre.

3. Instructions de montage et de mise en service

Placez la boîte sur une surface bien dégagée et ouvrez-la avec précaution. Elle contient:

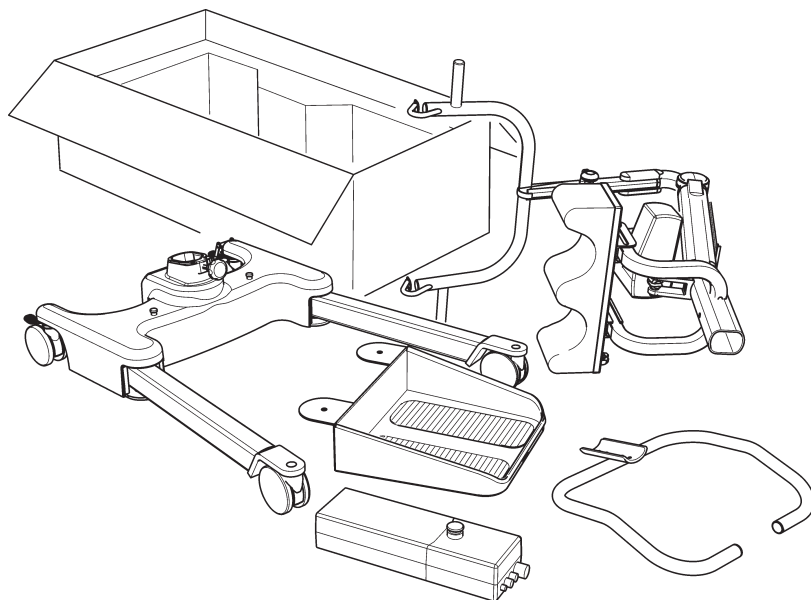
- LÈVE-PERSONNE OXFORD ASCEND
- UNE POCHETTE CONTENANT DES DOCUMENTS
- UNE COMMANDE MANUELLE
- BLOC BATTERIE
- FIL DE CHARGE
- CHARGEUR / SUPPORT POUR BUREAU

▲ AVERTISSEMENT

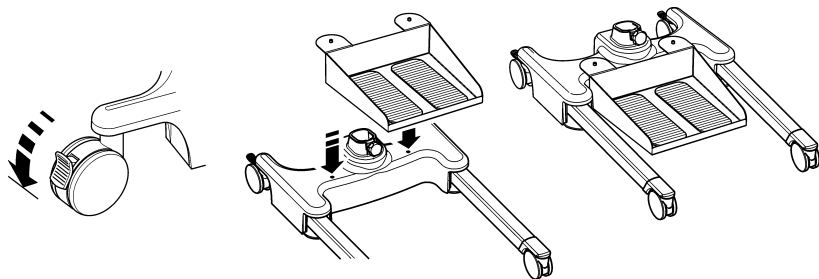
L'appareil Oxford Ascend est lourd et doit être soulevé avec précaution. Vous aurez éventuellement besoin d'aide pour soulever l'appareil Oxford Ascend et le sortir de sa boîte

Montage

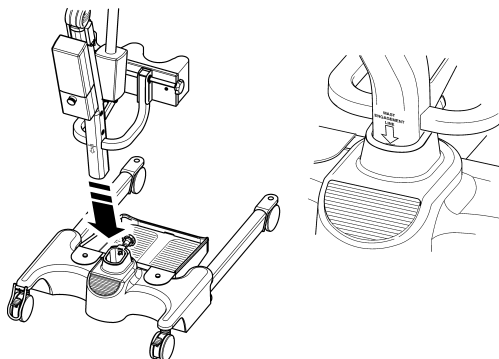
Retirez toutes les pièces de la boîte et placez-les par terre, en prenant soin de protéger le fini.



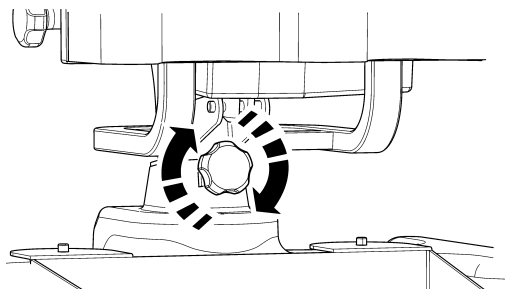
1. Placez le châssis dans un endroit dégagé et enclenchez les freins arrière. Fixez le cale-pied à la base à l'aide des trous de fixation scellés dans la base.



2. Enfoncez le mât et la flèche dans la douille du châssis.



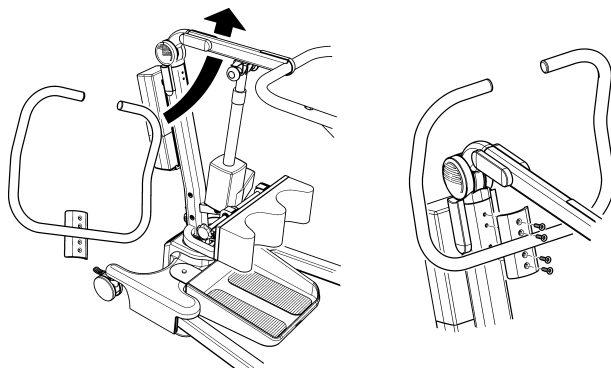
3. Resserrez le mât à l'aide du dispositif de verrouillage du mât situé devant le châssis.



⚠ AVERTISSEMENT

Évitez de coincer vos doigts. Lorsque vous insérez le mât dans la fente, gardez vos doigts à l'écart de l'extrémité du mât. L'enclenchement complet du mât est indiqué par l'étiquette située sur son côté. Le pied électrique ne fonctionnera pas si le mât n'est pas totalement enclenché.

4. Faites tourner le bouton de verrouillage jusqu'à ce qu'il soit légèrement serré.
5. Alignez la poignée avec le mât et fixez-la à l'aide des attaches fournies. Les attaches et la clé nécessaires à la fixation de la poignée se trouvent dans la poche du manuel d'utilisation.



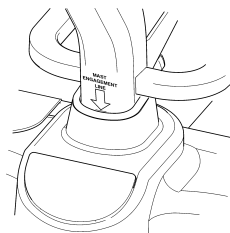
6. Replacez le bloc d'alimentation sur le lève-personne et vérifiez que la bride le maintenant est totalement enclenchée. Enclenchez le bloc.

Démontage

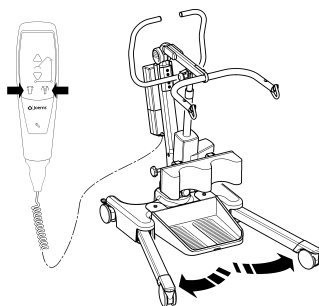
Le lève-personne ne doit être démonté que pour être réparé, entretenu ou transporté. Par conséquent, suivez les instructions de montage dans l'ordre inverse.

EFFECTUEZ TOUJOURS LES VÉRIFICATIONS SUIVANTES AVANT D'UTILISER L'APPAREIL

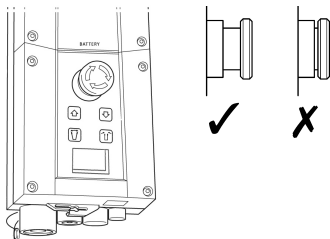
- Le mât est complètement verrouillé en position.



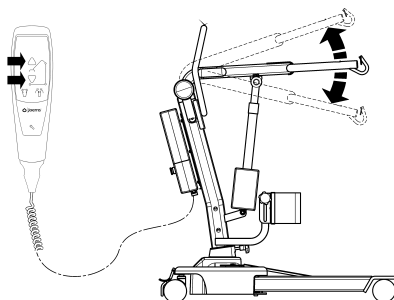
- Les pieds du lève-personne s'ouvrent et se referment de façon satisfaisante (Pour cela, utilisez la commande manuelle).



- Le bouton rouge d'arrêt d'urgence, situé à l'arrière du boîtier de commande, est en position OFF (arrêt).



- Appuyez sur les boutons « up » (vers le haut) et « down » (vers le bas) de la commande manuelle pour confirmer que la flèche se lève et s'abaisse.



4. Guide des courroies

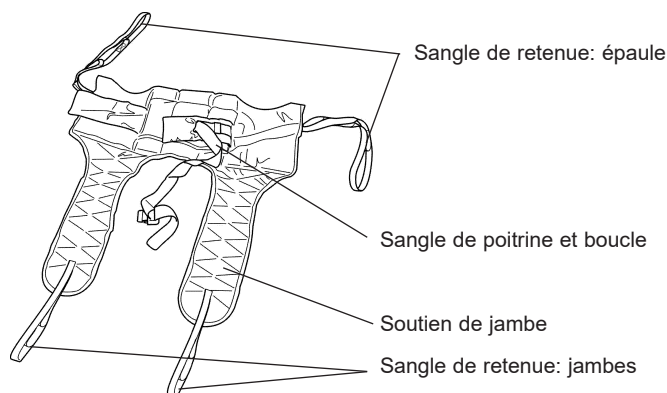
L'appareil Oxford Ascend convient à des patients ASSIS. Les courroies convenant à ce dispositif sont décrites ci-après:

- Oxford Transport
- Oxford Standing

Guide d'utilisation des courroies Standaid

Les courroies de transport et de levée sont faciles à installer et permettent de soulever et de soutenir le patient. Il ne s'agit pas d'une courroie à usage général et les patients désirant l'utiliser doivent être évalués par une personne qualifiée.

Courroie de transport



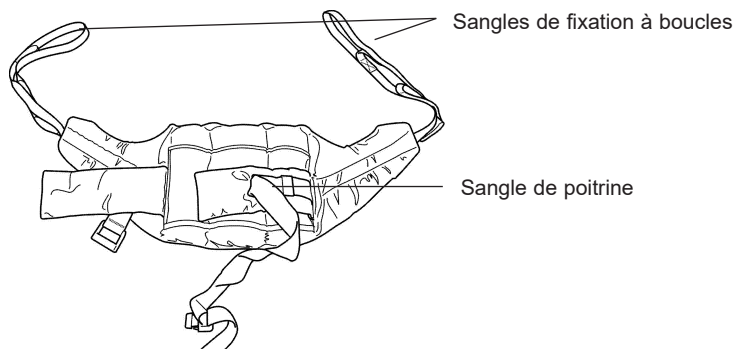
Glissez la courroie le long du dos du patient, en laissant la partie supérieure de l'ouverture du siège hygiénique à la base de la colonne vertébrale. Vérifiez que la partie flexible de la courroie est perpendiculaire au dos du patient.

Fixez la sangle de retenue autour de la poitrine du patient. Elle n'a pas besoin d'être serrée. Elle sert à maintenir la courroie en position lors de la fixation des sangles au Standaid. Vous pouvez totalement l'ignorer, si vous le désirez. Vérifiez que les bras du patient sont à l'extérieur de la courroie.

Soulevez la jambe du patient et faites passer la sangle de retenue en dessous des jambes, puis faites-la remonter entre ces dernières. Vérifiez que la courroie n'est ni tordue, ni coincée sous la cuisse. Répétez cette procédure pour l'autre jambe. Attachez les sangles des parties flexibles de la courroie aux crochets blancs situés à l'extrémité des poignées.

Sans pour autant croiser les boucles des sangles de retenue des jambes, attachez les boutons noirs gauche et droit sur la fourche de levage. En règle générale, nous vous conseillons d'utiliser l'anneau du milieu. Le patient est désormais prêt à être soulevé de son siège. Une fois qu'il a été soulevé de son siège le patient sera plus confortable s'il est rabaisé en position assise.

Courroie de levée



Faites glisser la courroie le long du dos du patient et installez-la entre le bas des épaules et le bas de la cage thoracique. Fixez les sangles de retenue autour de la poitrine du patient. Elles n'ont pas besoin d'être serrées. Elles servent à maintenir la courroie en position lors de sa fixation au Standard. Vous pouvez totalement les ignorer, si vous le désirez. Vérifiez que les bras du patient sont à l'extérieur de la courroie.

REMARQUE: Pour toute instruction détaillée sur la mise en place, reportez-vous au guide d'utilisation fourni avec chaque courroie.

⚠ AVERTISSEMENT

Joerns Healthcare vous conseille de vérifier, régulièrement et avant toute utilisation, que vos courroies ne sont ni effilochées, ni endommagées. N'utilisez JAMAIS une courroie usagée ou endommagée.

⚠ AVERTISSEMENT

OXFORD RECOMMANDE L'UTILISATION DE PIÈCES OXFORD AUTHENTIQUES. Les produits de sangle et de levage Oxford sont conçus pour être compatibles ensemble. Pour les directives spécifiques à votre pays au sujet de l'utilisation d'élingues et de leur compatibilité, veuillez lire l'étiquette de l'élingue ou contacter votre revendeur local ou Joerns Healthcare.

⚠ AVERTISSEMENT

Respectez la charge maximale du lève-personne. La charge de la courroie est limitée par la charge maximale du lève-personne.

5. Soulever le patient à l'aide du Oxford Ascend

Placez le Standard de manière à ce que les pieds du patient soient dans le plateau à pied et ses genoux contre le protège-genou. Commencez par attacher les boucles les plus longues de la courroie aux crochets gris situés à l'extrémité des poignées du Standard. Les mains du patient doivent se trouver sur les poignées. (Une fois que le patient a l'habitude de l'appareil, des boucles plus courtes peuvent l'aider à se mettre en position plus droite). Appuyez ensuite sur le bouton UP de la commande manuelle pour soulever le patient en position verticale.

6. Consignes de sécurité

Veillez lire et suivre les consignes de sécurité ci-dessous. Le fonctionnement et l'utilisation des lève-personnes Oxford sont simples et clairs. Si vous suivez ces quelques consignes de sécurité fondamentales, vous serez en mesure d'utiliser ce lève-personne facilement et sans problèmes.

AVANT D'UTILISER VOTRE LÈVE-PERSONNE « ASCEND », LISEZ LES INSTRUCTIONS DU MANUEL D'UTILISATION ET VEILLEZ À BIEN LES COMPRENDRE

AVERTISSEMENT: Consigne de sécurité importante sur un danger pouvant entraîner des blessures graves.

ATTENTION: Consigne de précaution pour éviter d'endommager le produit.

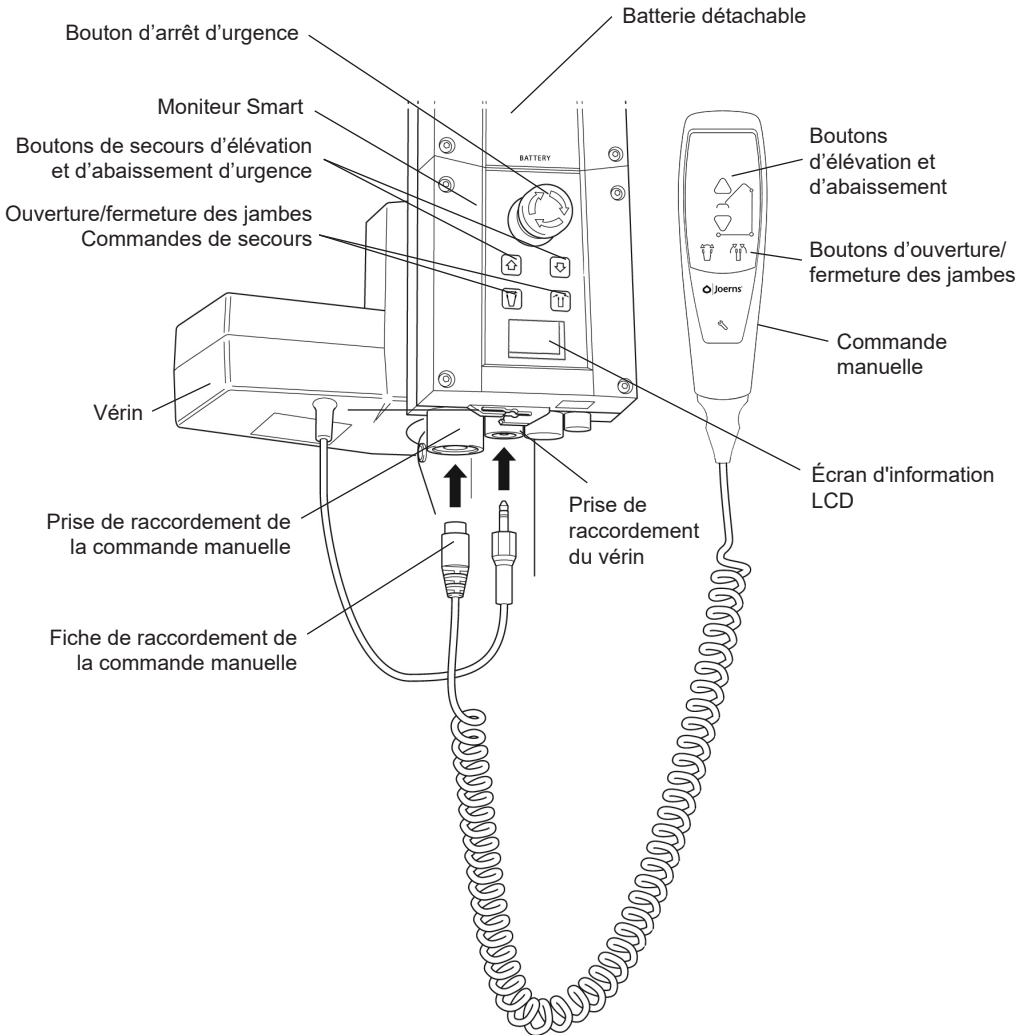
REMARQUE: Informations auxquelles il convient de prêter une attention particulière.

AVERTISSEMENT

- Les lève-personnes Oxford doivent être manipulés exclusivement par du personnel soignant formé/compétent.
- Planifiez TOUJOURS vos opérations de levage avant de commencer.
- Effectuez TOUJOURS les étapes de la LISTE DES VÉRIFICATIONS QUOTIDIENNES avant d'utiliser le lève-personne.
- Familiarisez-vous TOUJOURS avec les commandes et les dispositifs de sécurité d'un lève-personne avant de soulever un patient.
- N'UTILISEZ PAS de courroie, à moins que cela ne soit recommandé.
- Vérifiez TOUJOURS que la courroie convient au patient et qu'elle est de taille et de capacité appropriées.
- N'utilisez JAMAIS une courroie effilochée ou montrant des signes de détérioration.
- Ajustez TOUJOURS la courroie suivant les instructions fournies (consignes d'utilisation).
- NE dépassez PAS la charge maximale d'utilisation.
- Vérifiez TOUJOURS que la charge maximale d'utilisation du lève-personne est compatible avec le poids du patient.
- Effectuez TOUJOURS le levage en fonction des instructions du manuel d'utilisation.
- Ne débranchez ni n'ignorez JAMAIS une commande ou un dispositif de sécurité sous prétexte que cela facilite l'utilisation du lève-personne.
- NE soulevez PAS un patient si les freins des roulettes sont enclenchés. Laissez toujours le lève-personne trouver le centre de gravité correct.
- N'essayez PAS de manoeuvrer le lève-personne en poussant le mât, la flèche ou le patient.

- Manoeuvrez **TOUJOURS** le lève-personne à l'aide du bouton poussoir manuel / à pied fourni.
- Amenez **TOUJOURS** le patient à la position la plus basse et la plus confortable avant un transfert.
- **NE** poussez **PAS** un lève-personne chargé à des vitesses dépassant une allure de marche lente (3 kilomètres / heure, soit 0.8 mètres / seconde).
- **NE** poussez **PAS** le lève-personne sur un terrain accidenté particulièrement s'il est chargé.
- **N'essayez PAS** de pousser / tirer un lève-personne chargé pour surmonter un obstacle au sol.
- **NE** forcez **JAMAIS** une commande de fonctionnement / de sécurité. Toutes les commandes sont faciles à utiliser et ne nécessitent pas une force excessive.
- La charge **MINIMALE** requise pour abaisser manuellement le lève-personne à l'aide de la fonction d'abaissement mécanique d'urgence est de 30 kg.
- **NE** rangez **JAMAIS** un lève-personne chargé sur **UNE** surface inclinée.
- **N'utilisez PAS** les lève-personnes électriques dans la douche.
- **NE** chargez **PAS** un lève-personne électrique dans une salle de bains ou une salle de douche.
- **NE** soulevez **PAS** un patient si vous n'en avez ni l'expérience ni la compétence.
- **VOTRE** lève-personne est prévu pour soulever des patients. **NE** l'utilisez **PAS**, et n'autorisez personne à s'en servir à d'autres fins.
- **NE** forcez **PAS** le lève-personne à descendre des marches, qu'il soit chargé ou non.
- **N'essayez PAS** de déplacer un lève-personne chargé sur une pente de plus de 1:12 (environ 5 degrés).
- **N'essayez PAS** de monter ou de descendre une côte sans une autre personne à vos côtés.
- **N'utilisez PAS** le lève-personne dans un endroit mouillé ou corrosif, tel que les abords d'une piscine.

7. Moniteur Smart et commande manuelle



Utilisation prévue

Le moniteur Oxford Smart est un système de commande prévu pour les lève-personnes Oxford Mobile. Le moniteur Smart enregistre de précieuses données de service relatives à l'utilisation du lève-personne, lesquelles peuvent être consultées à tout moment, notamment :

- Nombre de cycles de levage des patients
- Charge de travail totale réalisée par le vérin
- Nombre de levages effectués en surcharge (tentatives de levage avec une charge supérieure à la charge maximale autorisée)
- Nombre de jours écoulés depuis le dernier entretien

Le moniteur Oxford Smart contient un microprocesseur qui permet de lire les données de service sur l'écran d'affichage LCD embarqué.

Caractéristiques

- Collecte des données dans la boîte de commande et affichage des données sur l'écran LCD
- Compteur d'opérations
- Compteur de cycles intelligent
- Indicateur d'entretien
- Indicateur d'intervalle entre 2 entretiens
- Informations sur l'utilisation en surcharge
- Indicateur de batterie à 3 témoins




Avantages

- Sécurité renforcée pour le patient et l'assistant
- Données de service précises sur simple activation d'un bouton
- Durée de vie prolongée du produit
- Simplicité d'entretien pour les ingénieurs et les techniciens

Écran d'affichage LCD

Le moniteur Oxford Smart permet l'affichage d'informations sur l'écran LCD. Il peut, par exemple, afficher le nombre total de cycles de levage, la charge de travail totale effectuée, les surcharges et le nombre de jours écoulés depuis le dernier entretien. Ces informations permettent de rapidement évaluer l'état du vérin du lève-personne.

Pour afficher ces informations, appuyez une demi-seconde sur le bouton 'HAUT' de la commande manuelle ou sur le bouton de secours 'HAUT' du moniteur Smart.

	12034	—	Total des cycles de levage
A*S	1257000	—	Total de la charge de travail effectuée (Ampères * Secondes)
	7	—	Nombre de surcharges
	90/180	—	Nombre de jours (depuis le dernier entretien) / Nombre de jours (entre deux entretiens)

Information sur l'entretien et l'utilisation



Quand arrive le moment de faire faire l'entretien, le symbole Service s'affiche à l'écran. De plus, lorsque la commande manuelle est activée, le moniteur Smart émet un signal sonore pour attirer l'attention de l'utilisateur sur le fait que l'entretien arrive à échéance.

Le symbole Service s'affichera à l'écran à chaque fois que les touches d'élévation ou d'abaissement sont actionnées sur la commande manuelle. Lorsque le symbole Service s'affiche, contactez immédiatement votre service d'entretien agréé pour prendre rendez-vous.

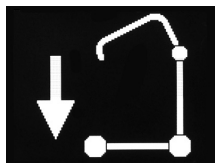


Si le lève-personne s'arrête en raison d'une surcharge (la charge à lever est supérieure à la charge maximale autorisée), le symbole de surcharge s'affiche sur l'écran LCD et le fonctionnement du lève-personne est interrompu jusqu'à ce que l'excès de charge ait été supprimé.

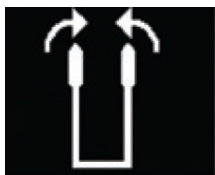
⚠ AVERTISSEMENT

Après la détection de surcharge par le lève-personne, Joerns Healthcare recommande d'effectuer TOUTES les vérifications de routine avant de réutiliser l'appareil (vous trouverez la liste des vérifications quotidiennes dans le manuel d'utilisation fourni avec le lève-personne). Joerns Healthcare vous recommande également de contacter votre service d'entretien agréé.

Commandes de secours embarquées

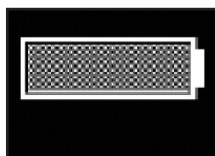


Les commandes de secours embarquées permettent de lever ou d'abaisser le lève-personne en situation d'urgence.



Si votre lève-personne comprend une fonction de positionnement des jambes intégrée, les commandes de fermeture et ouverture des jambes seront inutiles.

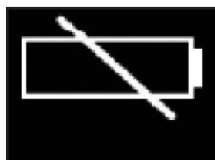
Niveau de batterie



Le symbole de la batterie pleine indique que la batterie est à pleine capacité et le lève-personne est prêt à l'emploi.



Le symbole de la batterie à moitié pleine indique qu'il est nécessaire de recharger la batterie.



Le symbole de la batterie vide indique que la batterie est complètement déchargée et doit être mise en charge immédiatement.

⚠ AVERTISSEMENT

Pour éviter tout endommagement irréversible de la batterie, il convient de mettre celle-ci en charge dès que l'écran affiche le symbole de la batterie à moitié pleine.

8. Instructions de fonctionnement

AVERTISSEMENT

Les lève-personnes Oxford doivent être manipulés exclusivement par du personnel soignant formé/compétent.

1. Réglage des pieds

La largeur des pieds de l'appareil Oxford Ascend est réglable. Les pieds peuvent être ouverts pour faciliter l'accès autour des fauteuils ou des chaises roulantes. Pour permettre les transferts et le passage par des portes et des endroits exigus, les pieds du lève-personne doivent être en position fermée.

Le réglage des pieds électriques - est accompli en appuyant sur certains boutons de la commande manuelle. Les pieds se bloquent lorsque l'interrupteur de la commande manuelle est relâché.

2. Roulettes et freinage

Le lève-personne comporte deux roulettes à frein, qui permettent d'immobiliser l'appareil. Durant le levage, les roulettes doivent rester libres et ne pas être bloquées. Le lève-personne peut ainsi se diriger vers son centre de gravité. Si les freins sont enclenchés, le patient peut basculer vers le centre de gravité, ce qui peut s'avérer déconcertant et inconfortable.

3. Levage et abaissement de la flèche

Le mouvement de la flèche est transmis par un puissant actionneur électrique, qui est lui-même contrôlé par une simple unité de commande manuelle. La commande manuelle est munie de deux boutons sur lesquels se trouvent les flèches UP (vers le haut) et DOWN (vers le bas). L'actionneur s'arrête automatiquement en fin de course dans les deux sens. La commande manuelle se branche sur une prise située à la base du boîtier de commande.

4. Arrêt d'urgence

Le bouton rouge d'arrêt d'urgence, situé à l'arrière du boîtier de commande, est activé lorsqu'on appuie dessus. Cela coupe l'alimentation du lève-personne, laquelle n'est rétablie que lorsque le bouton est tourné dans le sens antihoraire, puis relâché.

5. Commandes de secours

Tous les lève-personnes Oxford sont équipés de boutons d'élévation et d'abaissement sur le boîtier de commande. Ils sont situés sous le bouton d'arrêt d'urgence et peuvent servir à élever / abaisser le patient en cas de panne de la commande manuelle.

6. Descente mécanique d'urgence

En cas de panne électrique totale, l'actionneur électrique est doté d'un dispositif de descente mécanique (BOSSAGE ROUGE). Celui-ci ne fonctionne que lorsque le lève-personne est chargé. Ce dispositif doit être tiré vers le haut pour s'activer, après quoi une descente lente commence.

Remarque: La charge MINIMALE requise pour abaisser manuellement le lève-personne à l'aide de la fonction d'abaissement mécanique d'urgence est de 30 kg.

7. Batteries

Les batteries sont protégées contre les décharges poussées par une ALARME DE BASSE TENSION. Celle-ci retentit lorsque les batteries doivent être rechargées et que la commande manuelle est en usage. Elle ne retentit pas si la commande manuelle n'est pas en usage. NE NÉGLIGEZ PAS CETTE ALARME. Achevez le levage et mettez l'appareil sous charge (voir instructions de charge). Le niveau de charge de la batterie est affiché par l'indicateur sur le boîtier de commande.

AVERTISSEMENT

Seules les personnes autorisées sont habilitées à ouvrir la batterie, le chargeur, la commande manuelle, le boîtier de commande et l'actionneur. (Contactez votre distributeur pour tout renseignement sur la garantie et les réparations).

8. Courroies

L'appareil Oxford Ascend convient à des patients ASSIS. Les courroies convenant à ce dispositif sont décrites ci-après:

- Oxford Transport
- Oxford Standing

9. Réglage du protège-genou

L'appareil Ascend est équipé d'un protège-genou réglable, qui se déplace de 6 pouces. Pour le déplacer vers le haut ou vers le bas, desserrez le bouton situé à sa gauche.

10. Semelle amovible

Le lève-personne Ascend est équipé d'une semelle amovible. Pour enlever cette semelle, placez-vous à l'avant de l'appareil et soulevez la semelle à partir du milieu de l'assemblage.

REMARQUE Faites bien attention lorsque vous soulevez la semelle de sa position basse.

9. Instructions de charge

Les batteries sont situées dans le bloc d'alimentation et elles sont rechargées au moyen d'un chargeur autonome. Lorsque le bloc d'alimentation doit être rechargé, retirez-le du lève-personne et branchez-le sur le chargeur autonome.

Joerns Healthcare Ltd recommande l'achat d'un bloc batterie supplémentaire, afin qu'un bloc soit toujours chargé.

1. Retirez le bloc d'alimentation du lève-personne. Il est retenu par une simple bride située sur le dessus. Soulevez la bride et le bloc est dégagé.
2. Placez le bloc d'alimentation dans le chargeur. L'emplacement et la fixation du bloc d'alimentation sur le chargeur sont assurés par le même système que celui utilisé sur le lève-personne.
3. Branchez le fil / le cordon du chargeur sur une prise de courant appropriée et **ACTIVEZ** l'alimentation principale.
4. Les batteries se chargent complètement et automatiquement sur une période de huit à douze heures.

Remarque: Même si le chargeur reste branché pendant très longtemps, cela n'entraînera pas la « surcharge » des batteries.

- a) Voyant vert - Indique que l'appareil est sous tension.
- b) Voyant jaune - Indique que la batterie est en cours de recharge.
- c) La batterie est complètement rechargée une fois que le voyant jaune s'est éteint.

Remarque : La charge de la batterie prend 4 heures. Il est conseillé de charger la batterie dès réception.

5. Pour remettre le lève-personne en service, **COUPEZ** l'alimentation principale et retirez le bloc d'alimentation du chargeur. Remplacez le bloc d'alimentation sur le lève-personne et vérifiez que la bride le maintenant est totalement enclenchée. Enclenchez le bloc. Le chargement des lève-personnes électriques Hoyer est simple et clair, mais vous devez absolument suivre les instructions à la lettre. Prêtez une attention toute particulière aux points suivants, vous éviterez ainsi de vous retrouver avec des batteries déchargées.

AVERTISSEMENT

- **La batterie, le chargeur, la commande manuelle et la boîte de commande NE doivent PAS être ouverts par du personnel non autorisé. (Contactez votre distributeur pour toute information sur la garantie et les réparations).**
- **NE touchez PAS les bornes de la batterie/du chargeur.**
- **VEILLEZ à ce que les batteries restent en permanence complètement chargées. Pendant les périodes de non-utilisation du lève-personne, mettez la batterie en charge. Vous pouvez également mettre la batterie en charge la nuit. Le chargeur interrompt automatiquement la recharge dès que les batteries sont pleines. Il n'y a pas de risque de surcharge.**

- **NE laissez JAMAIS** les batteries se décharger complètement. Dès que l'avertisseur sonore retentit, terminez le levage en cours, puis mettez-les batteries en charge.
- Pour éviter tout endommagement irréversible de la batterie, il convient de mettre celle-ci en charge dès que l'écran affiche le symbole de la batterie à moitié pleine.
- N'entreposez **JAMAIS** la batterie pendant une longue période sans le recharger régulièrement.
- Veillez à **TOUJOURS** mettre le chargeur hors tension avant de brancher ou de débrancher le bloc d'alimentation.
- Ne laissez **JAMAIS** le bloc d'alimentation branché au chargeur si ce dernier est hors tension.
- **NE LAISSEZ PAS** le chargeur sous tension si la batterie est débranchée.
- **N'UTILISEZ PAS** le lève-personne pendant qu'il est en charge.
- **VÉRIFIEZ** que le lève-personne n'est pas en charge avant de le déplacer afin d'éviter tout endommagement électrique.
- **NE DÉBRANCHEZ JAMAIS** le chargeur en tirant sur le câble.
- **VEILLEZ** à ne pas trébucher sur le câble du chargeur.
- **NE RECHARGEZ PAS** un lève-personne électrique dans une salle de bains ou une salle d'eau.

10. Périodicité d'entretien

Tous les produits Oxford sont conçus de manière à ne nécessiter qu'un entretien minimal; toutefois, certaines vérifications et procédures de sécurité sont nécessaires. Un tableau des tâches QUOTIDIENNES est présenté ci-après. Des vérifications quotidiennes et un entretien, une inspection et un essai semestriels garantissent que le lève-personne fonctionnera parfaitement. Une liste de pièces détachées est disponible sur demande.

L'ESSAI DE CHARGE et la certification doivent être effectués par du personnel qualifié ou un agent / concessionnaire d'entretien autorisé.

LISTE DES VÉRIFICATIONS QUOTIDIENNES: Joerns Healthcare vous conseille vivement d'effectuer les vérifications suivantes chaque jour et avant d'utiliser le lève-personne.

- VÉRIFIEZ que le lève-personne se déplace librement sur ses roulettes.
- VÉRIFIEZ que la barre d'écartement (cornes de vache) est bien fixée sur la flèche.
INSPECTEZ les courroies afin de déceler tout éventuel signe d'effilochage ou d'usure.
N'UTILISEZ PAS de courroie endommagée.
- ASSUREZ-VOUS que les pieds s'ouvrent et se referment correctement.
- VÉRIFIEZ que les pieds s'ouvrent et se ferment correctement et se verrouillent en position ouverte et fermée.
- VÉRIFIEZ que l'icône de la clé anglaise sur l'écran d'affichage de la boîte de commande n'est pas allumée et qu'aucun bip sonore n'est émis lorsque vous actionnez les boutons élever / abaisser.
- ASSUREZ-VOUS que l'alarme de batterie faible ne se déclenche pas lorsque la commande manuelle est actionnée (lève-personne électrique uniquement). Si l'alarme retentit, N'UTILISEZ PAS l'appareil et mettez-le sous charge immédiatement.
- Les appareils électriques ACTIVÉS permettent de vérifier le fonctionnement du bouton d'arrêt d'urgence.
- INSPECTEZ VISUELLEMENT toutes les fixations et vérifiez qu'elles sont bien serrées avant utilisation.

Entretien, Inspection Et Essais

Joerns Healthcare recommande d'effectuer régulièrement une inspection et des essais poussés du lève-personne Oxford Ascend et des accessoires, courroies, etc. La fréquence des inspections varie selon l'endroit. Veuillez vous renseigner auprès de votre revendeur et / ou d'un organisme gouvernemental local sur la périodicité requise des inspections. Les examens et les essais doivent être effectués suivant les recommandations et les procédures énoncées dans le présent manuel. Dans la mesure du possible, Joerns Healthcare recommande que l'entretien, les inspections et les essais certifiés soient effectués uniquement par un agent d'entretien ou un revendeur agréé.

REMARQUE: Ces recommandations sont conformes aux normes d'Hygiène et de Sécurité N° 2307 de 1998. Réglementations sur les opérations et l'équipement de levage 1998. Il s'agit d'une réglementation du Royaume-Uni. En dehors du Royaume-Uni, veuillez vous renseigner sur les règlements de votre pays.

Nettoyage

Nettoyez au savon ordinaire et à l'eau et /ou avec un désinfectant pour surfaces dures. Les produits de nettoyage chimiques corrosifs ou les abrasifs doivent être évités, car ils peuvent endommager la fini du lève-personne. Évitez de mouiller les pièces électriques. Après le nettoyage, l'appareil doit être soigneusement séché.

Mise au rebut en fin de vie

Batterie : Les batteries présentes dans le produit et tout accessoire connexe doivent être recyclés séparément. Les batteries doivent être éliminées conformément aux réglementations locales et nationales en vigueur.

Sangles : Les sangles et accessoires connexes doivent être éliminés avec les déchets combustibles conformément aux réglementations locales et nationales en vigueur.

***CES VÉRIFICATIONS DOIVENT PORTER SUR:**

	Initiale- ment	Avant utilisation	Intervalles d'entretien
1. FLÈCHE : Vérifiez que la flèche est fixée sur le mât. Assurez-vous que le mouvement latéral de la flèche est minimal et qu'elle tourne librement sur son roulement.	✓	✓	✓
2. POINTS DE FIXATION DE LA COURROIE : Examinez les crochets et les clips de fixation sur la barre d'écartement et la flèche afin de déceler toute usure excessive.	✓	✓	✓
3. MÂT : Vérifiez le fonctionnement du dispositif de verrouillage du mât. Assurez-vous que le mât s'engage entièrement dans la douille.	✓	✓	✓
4. ACTIONNEUR : Hormis la vérification du bon fonctionnement et la recherche de bruits inhabituels, l'actionneur ne nécessite en principe aucun entretien.			✓
5. PROTÈGE-GENOU : Vérifiez que le dispositif de réglage du protège-genou est bien attaché.	✓	✓	
6. MONITEUR SMART : Vérifiez le bon fonctionnement du bouton d'arrêt d'urgence. Vérifiez le branchement de la prise de la commande manuelle. Vérifiez le fonctionnement de la commande manuelle. Vérifiez que les commandes de secours fonctionnent correctement. ATTENTION: La charge MINIMALE requise pour abaisser manuellement le lève-personne à l'aide de la fonction d'abaissement mécanique d'urgence est de 30 kg.	✓	✓	✓
7. BATTERIES : Les batteries sont logées dans le bloc d'alimentation et, à l'exception de recharges régulières effectuées conformément aux instructions de charge, elles ne nécessitent en principe aucun entretien. Vérifiez la propreté des connexions.			✓
8. BATTERIES (Recharge) : Vérifiez que le lève-personne n'émet pas d'alarme de batterie faible pendant que la commande manuelle est actionnée. Si l'alarme retentit, n'utilisez pas le lève-personne et placez immédiatement la batterie sur le chargeur.	✓	✓	
9. RÉGLAGE DES PIEDS : Vérifiez que les pieds s'orientent complètement dans les deux directions (vers l'intérieur / l'extérieur).	✓	✓	✓
10. ROULETTES : Vérifiez que toutes les roulettes sont solidement fixées sur les pieds. Vérifiez que les roulettes et les roues tournent librement.	✓	✓	✓
11. NETTOYAGE : Nettoyez au savon ordinaire et à l'eau et /ou avec un désinfectant pour surfaces dures. Les produits de nettoyage chimiques corrosifs ou les abrasifs doivent être évités, car ils peuvent endommager le fini du lève-personne. Évitez de mouiller les pièces électriques. Après le nettoyage, l'appareil doit être soigneusement séché.		✓	✓
12. ESSAI DE CHARGE : L'essai de charge doit être réalisé selon les exigences et procédures d'essai énoncées par le fabricant. Il est vivement recommandé de faire appel à un service agréé pour la réalisation de l'essai.			✓
13. BASE ET ROUES : Assurez-vous que la base est régulière et nivelée (les quatre roues reposent sur le sol).	✓	✓	✓

	Initiale- ment	Avant utilisation	Intervalles d'entretien
14. COURROIES : Vérifiez qu'elles ne sont pas usées, ni effilochées.	✓	✓	✓
15. LUBRIFICATION : Huilez les joints pivotants, y compris les pièces reliant le mât et la flèche, l'ensemble de la pédale, la barre d'écartement et le joint (si nécessaire).			✓
16. COMBINÉ : Vérifiez qu'il est totalement branché dans le contrôleur.	✓	✓	

11. Spécifications Techniques

Charge maximale d'utilisation	440 lbs	200 kg
Longueur maximale hors tout.....	43.3 pouces	1100 mm
Longueur minimale hors tout.....	40.8 pouces	1035 mm
Hauteur maximale hors tout.....	66.5 pouces	1690 mm
Hauteur minimale hors tout	48.4 pouces	1230 mm
Hauteur maximale de la barre d'écartement.....	64.7 pouces	1644 mm
Hauteur minimale de la barre d'écartement.....	37 pouces	940 mm
Rayon de braquage.....	51.9 pouces	1320 mm
Pieds ouverts - Largeur externe	39.1 pouces	995 mm
Pieds ouverts - Largeur interne.....	34.8 pouces	885 mm
Pieds fermés - Largeur externe	24.8 pouces	630 mm
Pieds fermés - Largeur interne	20.0 pouces	510 mm
Le point le plus large (entre les poignées de soutien).....	28.9 pouces	735 mm
Hauteur des pieds, hors tout.....	4.7 pouces	120 mm
Garde au sol.....	1.4 pouces	35 mm
Roulettes jumelées avant.....	4.0 pouces	100 mm
Roulettes arrière à freins.....	4.0 pouces	100 mm

Poids

Ensemble mât, base et flèche.....	97 lbs	44.0 kgs
Bloc d'alimentation	6.6 lbs	3 kgs
Total.....	103.6 lbs	47.0 kgs
Base (sans la batterie).....	42.9 lbs	19.5 kgs
Mât et flèche (sans la batterie).....	45.1 lbs	20.5 kgs

REMARQUE: Toutes les dimensions sont indiquées avec une tolérance de fabrication.

Specifications Electriques

BATTERIE batterie plomb rechargeable sans entretien de 24 volts
 CAPACITE DE LA BATTERIE 3,2 Ampères heures
 PUISSANCE ABSORBEE NORMALE DU CHARGEUR..... 100 - 240 V AC// 24 VDC 50/60 Hz
 PUISSANCE NOMINALE DU CHARGEUR.... 29,5 VDC, Max. 19 W

Protection contre l'électrocution

CHARGEUR CLASS II
 LEVE-PERSONNE SOURCE D'ALIMENTATION INTERNE

Degré de protection contre l'électrocution

CHARGEUR TYPE B
 LEVE-PERSONNE TYPE B

Conditions Environnementales

En dehors de cet environnement, le fonctionnement et la sûreté peuvent être compromis.

Fonctionnement:

Température 5°C à 35°C
 Humidité relative..... 20% à 90% @ 30°C - sans condensation
 Pression atmosphérique..... 700 à 1060 hPa

Entreposage:

Température -10°C à +50°C
 Humidité relative..... 20% à 90% @ 30°C - sans condensation
 Pression atmosphérique..... 700 à 1060 hPa

CARACTERISTIQUES D'IP

Boîtier de commande IPX4
 Vérin IPX4
 Chargeur portable IPX5
 Batterie IPX5
 Commande Manuelle IPX5

CYCLES D'UTILISATION

Vérin 10% (2 min./18 min.)
 Chargeur Environ 4 hrs.

ACOUSTIQUE

Niveau de puissance acoustique pondéré A ..55,6 dB (A)

PRINCIPAUX SYMBOLES :

Vous trouverez les symboles suivants sur le chargeur, l'unité de commande et la batterie :



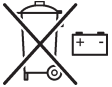
Ce produit est un dispositif médical conforme à la directive relative aux dispositifs médicaux 2017/745.



Équipement de type B, conformément à EN 60601-1



Équipement de Classe 2



Ne pas jeter la batterie avec les déchets ménagers. Les batteries doivent être éliminées conformément aux réglementations locales et nationales en vigueur.



Ne pas jeter les composants électroniques avec les déchets ménagers.



Utilisation à l'intérieur



ATTENTION, consultez les documents fournis.



Se référer aux instructions d'utilisation avant utilisation (Fond bleu).



Marque de certification indiquant la conformité aux exigences en vigueur pour les produits vendus en Grande Bretagne.



Point de contact entre le fabricant de dispositifs médicaux établi en dehors de l'Europe, les autorités nationales compétentes (ministère de la Santé) et les organismes notifiés.



Identification unique et harmonisée à l'échelle mondiale des dispositifs médicaux commercialisés et utilisés.



Indique l'entité chargée de l'importation du dispositif médical.

12. Garantie

Joerns Healthcare possède un réseau d'agents de service et de distributeurs agréés qui se feront un plaisir de répondre à vos questions relatives à l'achat, la garantie, la réparation et l'entretien de votre matériel. Nous vous recommandons de confier la mise en service de nos produits à votre agent de service ou distributeur agréé.

Le programme de garantie est assuré par votre distributeur ou l'agent de service, il est donc important de conserver soigneusement ses coordonnées (nom, adresse et numéro de téléphone) afin de pouvoir le contacter en cas de problème. An cas de doute sur le lieu d'achat de votre lève-personne, Joerns Healthcare est en mesure d'identifier votre fournisseur à partir du numéro de série du lève-personne.

Toutes les réclamations au titre de la garantie sont conditionnées à l'usage et à l'entretien corrects et conformes au manuel d'utilisation livré avec chaque appareil. Tout endommagement résultant d'une utilisation dans des conditions inadaptées ou du non-respect des consignes d'entretien et d'utilisation n'est pas couvert pas la garantie. La garantie ne porte pas atteinte à vos droits légaux.

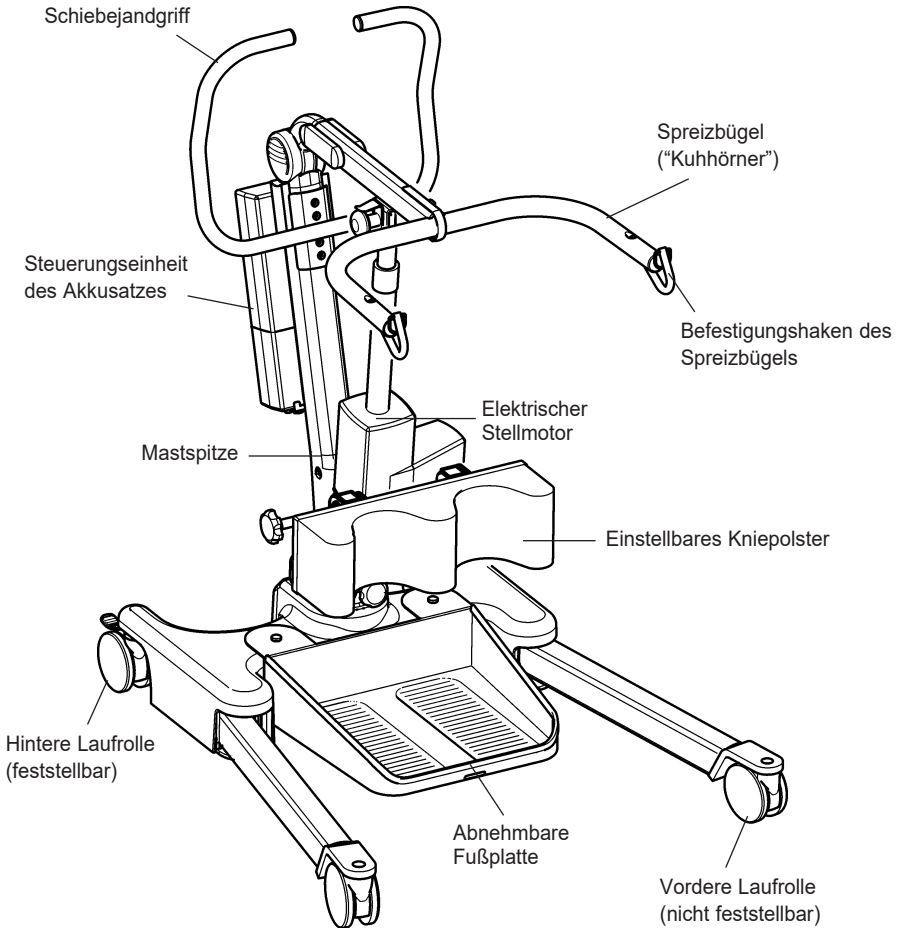
N'OUBLIEZ PAS: Contactez votre agent de service ou distributeur agréé pour vos achats, réparations, entretiens et maintenances certifiées.

Votre distributeur:

Inhalt

1. Oxford Ascend Patientenlifter	55
2. Einführung: Über den Lifter	56
3. Montage und Inbetriebnahme	57
4. Bedienungshinweise für Gurte	61
5. Heben Mit Einem Oxford Ascend	62
6. Sicherheitshinweise	63
7. Smart Monitor und Handbedienung	65
8. Betriebshinweise	69
9. Aufladen der Akkueinheit	71
10. Wartungsplan und tägliche Prüfliste	73
11. Technische Daten	76
12. Garantie	79

1. Oxford Ascend Patientenlifter



2. Einführung: Über den Lifter

Die Verpackung besteht aus einem festen, zweckmäßig geformten Versandkarton für den sicheren Transport des Lifters. Mit jedem Lifter werden die zugehörigen Dokumente in einer beiliegenden Tasche geliefert, die für die spätere Verwendung sicher aufbewahrt werden müssen:

- PRÜFZERTIFIKAT
- PACKPRÜFLISTE
- BENUTZERHANDBUCH

Das PRÜFZERTIFIKAT ist ein wichtiges Dokument und ist für Ihre Versicherungsdokumentation erforderlich. Es ist sechs Monate lang gültig, und nach Ablauf dieser Zeit muss der Lifter gemäß Wartungsplan inspiziert und gewartet werden.

Ihr autorisierter Fachhändler kann in Ländern, in denen dies erforderlich ist (Europa), Wartungen und regelmäßige Inspektionen durchführen. Vergewissern Sie sich, dass der Lifter im entsprechenden Wartungskalender eingetragen ist. Wenn Sie unsicher sind, welche Wartungsanforderungen für Ihren lokalen Markt gelten, erkundigen Sie sich bei Ihrem Händler und/oder bei der zuständigen Behörde und/oder Joerns Healthcare.

⚠️ WARNUNG

Vor dem täglichen Gebrauchs Ihres Patientenlifters müssen die in der täglichen Checkliste in dieser Anleitung aufgeführten Überprüfungen durchgeführt werden.

Das CE-Zeichen: Der Oxford Ascend Patientenlifter ist mit dem CE-Zeichen versehen und ist mit den folgenden EU-Richtlinien konform:



- Richtlinie über Medizinprodukte 2017/745
- Richtlinie zur elektromagnetischen Verträglichkeit 2014/30/EU
- Niederspannungsrichtlinie 2014/35/EU

Sachgemäße Anwendung des Lifters

Die bestimmungsgemäße Verwendung dieser Hebevorrichtung ist das sichere Heben und Umlagern einer Person von einer Ruhefläche zu einer anderen (wie etwa von einem Bett in einen Rollstuhl). Joerns Healthcare empfiehlt, für die Umlagerung von Patienten eine vollständige Risikoanalyse durchzuführen und nur über kurze Entfernung umzulagern.

Der Oxford Ascend ist nur für Patienten in SITZENDER Position geeignet, die eine gewisse Gewichtsbelastung vertragen können, zum Stehen aber Hilfe brauchen. Durch das Abnehmen des Fußhalters kann der Oxford Ascend Patientenlifter nach einer sorgfältigen Risikoanalyse auch als Gehhilfe verwendet werden.

Der Oxford Ascend ist dafür ausgelegt, die sichere Handhabung und das sichere Umlagern von Patienten sowohl für den Patienten als auch für die Pflegeperson zu unterstützen und zu fördern.

Die Oxford Ascend Stehhilfe ist für den Einsatz mit den Oxford Gurten ausgelegt. Beispiele für Gurte, die für dieses Gerät geeignet sind, werden wie folgt angegeben:

- Oxford Standing Sling
- Oxford Transport Sling

⚠️ WARNUNG

Oxford Patientenlifter dürfen nur von entsprechend geschultem/sachkundigem Pflegepersonal bedient werden.

Erwartete Lebensdauer

Oxford Professional Patientenlifter sind für eine Lebensdauer von mindestens zehn (10) Jahren ausgelegt und geprüft, vorausgesetzt, die in diesem Handbuch beschriebenen Verfahren für Gebrauch und Wartung werden eingehalten. Bei einer Verwendung, die nicht den Angaben in dieser Anleitung entspricht, kann die Lebensdauer beeinträchtigt werden.

Meldung von schwerwiegenden Vorfällen

Wenn ein schwerwiegender Vorfall beim Gebrauch dieses Produkts auftritt, der sich auf den Patienten und/oder die Pflegeperson auswirkt, muss dieser dem Hersteller des Produkts oder dem autorisierten Fachhändler gemeldet werden. Sollte der Vorfall innerhalb der Europäischen Union (EU) auftreten, muss er auch die Behörde vor Ort gemeldet werden, die im jeweiligen Mitgliedstaat zuständig ist.

3. Montage und Inbetriebnahme

Stellen Sie den Versandkarton in einem freien Arbeitsbereich auf und öffnen Sie ihn vorsichtig.

Der Karton enthält folgende Teile:

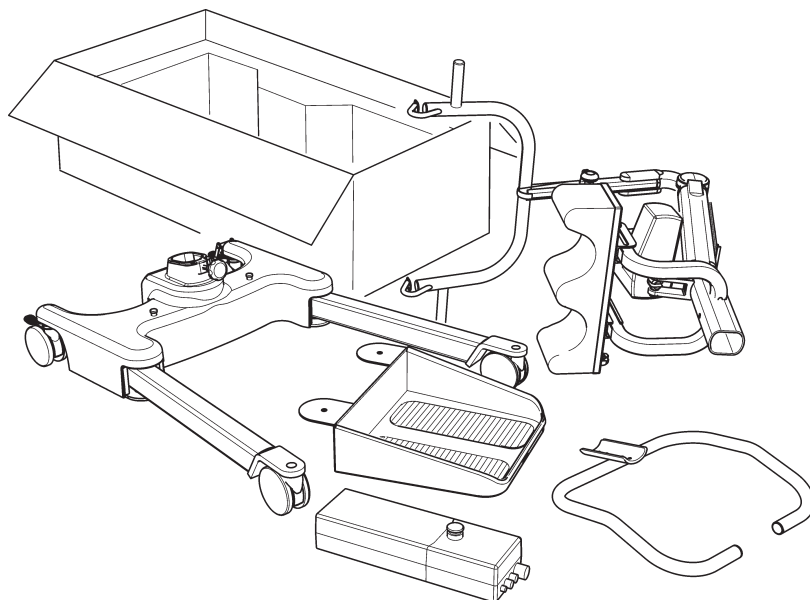
- OXFORD ASCEND LIFTER
- TASCHE MIT DOKUMENTEN
- HANDBEDIENUNG
- AKKUEINHEIT
- LADEKABEL
- TISCHLADEGERÄT/STÄNDER

⚠ WARNUNG

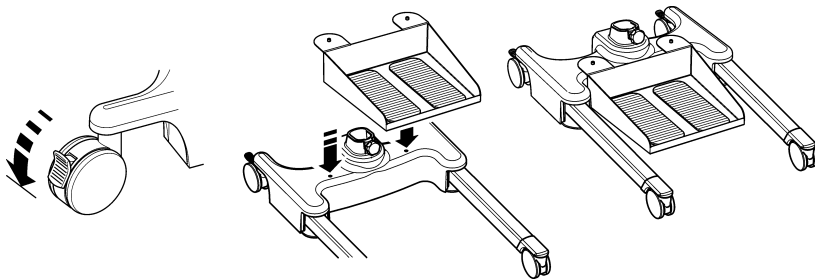
Der Oxford Ascend ist schwer und muss vorsichtig gehoben werden. Holen Sie sich Hilfe, um den Oxford Ascend aus dem Karton zu heben.

Montage

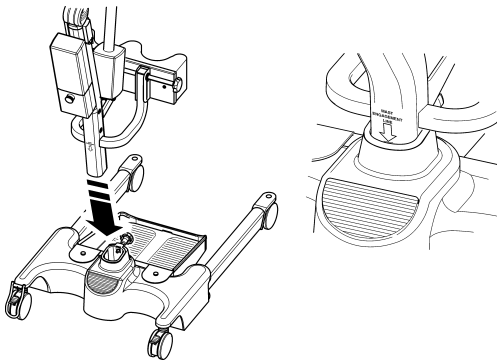
Nehmen Sie alle Teile aus dem Karton heraus, legen Sie sie auf den Boden und achten Sie darauf, dass die Oberfläche des Geräts nicht beschädigt wird.



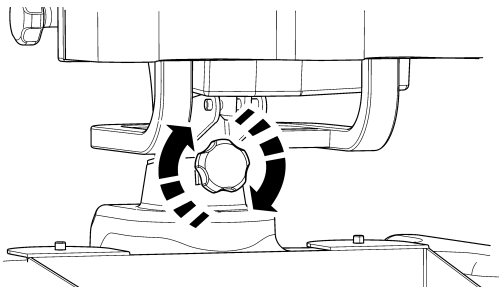
1. Stellen Sie den Rahmen an einer freien Stelle auf, und verriegeln Sie die hinteren Feststellbremsen. Befestigen Sie das Fußtablett an die Basis, indem Sie die Positionierungslöcher auf dem Gussteil der Basis benutzen.



2. Stecken Sie die Mast/Ausleger-Baugruppe in die entsprechende Buchse des Rahmens.



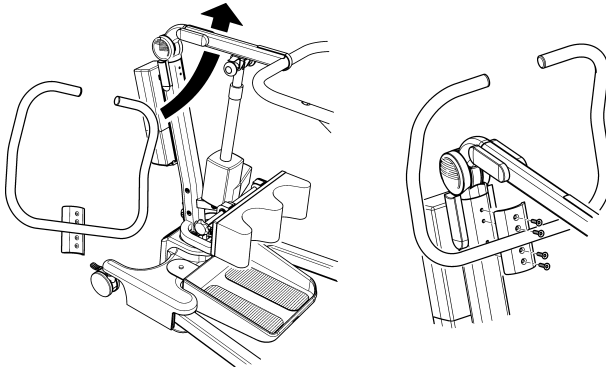
3. Ziehen Sie den Mast mit dem Mast-Feststellknopf fest, der sich vorne am Rahmen befindet.



⚠️ WARNUNG

Quetschgefahr: Halten Sie die Finger vom Mastende fern, wenn Sie den Mast in die Rahmenbuchse einsetzen. Das Etikett auf der Mastseite zeigt an, wann der Mast vollständig eingesetzt ist. Erst wenn der Mast ganz eingesetzt ist, ist das elektrische Fahrgestell funktionsbereit.

4. Drehen Sie den Feststellknopf mit der Hand fest.
5. Richten Sie die Handgriff-Einheit mit dem Mast aus, und befestigen Sie sie mit den mitgelieferten Schrauben. Die Schrauben und der zur Befestigung des Handgriffs benötigte Schraubenschlüssel sind in der Gebrauchsanweisungstasche aufbewahrt.



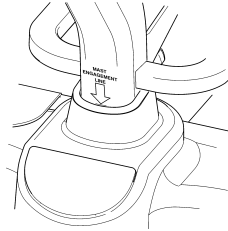
6. Setzen Sie die Akkueinheit in den Lifter ein und vergewissern Sie sich, dass der Verschluss, der die Einheit an ihrem Platz hält, vollständig eingerastet ist. Die Einheit muss mit einem klickenden Geräusch einrasten.

Demontage

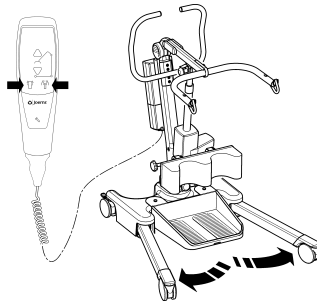
Der Lifter sollte nur bei Bedarf für Wartung, Reparatur oder Transport demontiert werden. Hierzu befolgen Sie die Montageanweisungen in umgekehrter Reihenfolge.

PRÜFEN SIE VOR DEM BETRIEB STETS DIE FOLGENDEN PUNKTE

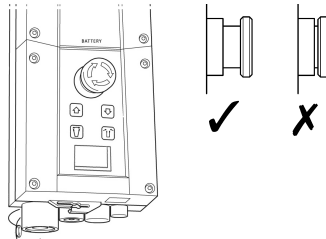
- Der Mast ist ordnungsgemäß eingerastet.



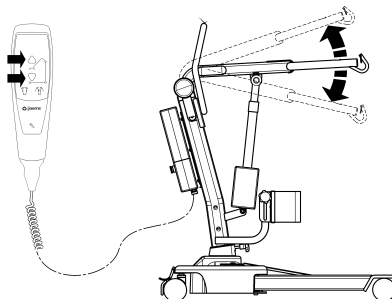
- Das Fahrgestell des Lifters lässt sich einwandfrei spreizen und zusammenführen. (Dies geschieht über die Handbedienung).



- Der rote Not-Aus-Knopf auf der Rückseite der Steuereinheit befindet sich in der Position OFF (Aus).



- Drücken Sie die Aufwärts- und Abwärts-Tasten auf der Handbedienung und vergewissern Sie sich, dass sich der Ausleger hebt und senkt.



4. Bedienungshinweise für Gurte

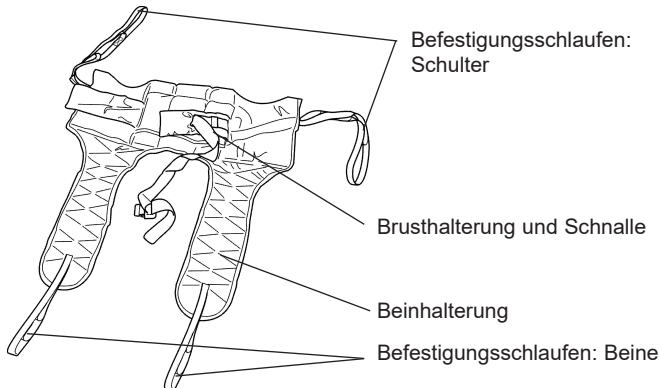
Der Oxford Ascend eignet sich für Patienten in SITZENDER Position. Folgende Gurte sind für dieses Gerät geeignet:

- Oxford Transport
- Oxford Standing

Benutzerhandbuch Für Standard Slings

Bedienungshinweise für Standhilfegurte: Der Transport- und Standgurt ist ein leicht anzupassender Gurt, der sich für Stand und Unterstützung eignet. Er ist kein Allzweckgurt, weshalb eine qualifizierte Person überprüfen muss, ob sie für die Patienten geeignet sind.

Transportgurt



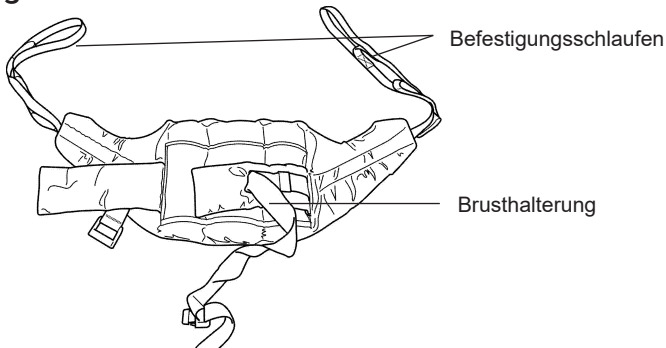
Führen Sie den Gurt über den Rücken des Patienten nach unten, wobei das Ende der bequemen Öffnung über die Wirbelsäulenbasis kommt. Prüfen Sie, ob der Rollteil des Gurts rechtwinklig über den Rücken des Patienten angelegt ist.

Binden Sie den Stützriemen um den Brustkorb des Patienten. Dieser Riemen braucht nicht eng anliegen. Er dient dazu, den Gurt in seiner Position zu halten, während die Schlingen an der Standhilfe befestigt werden. Er kann auf Wunsch auch ganz weggelassen werden. Vergewissern Sie sich, dass sich die Arme des Patienten außerhalb der Gurtes befinden.

Heben Sie das Bein des Patienten und führen Sie den Beinriemen unter dem Bein hindurch und zwischen den Beinen nach oben. Vergewissern Sie sich, dass die Schlinge unter dem Oberschenkel nicht verdreht oder geknickt ist. Wiederholen Sie diese Prozedur für das andere Bein. Befestigen Sie die Schlingen am Rollteil des Gurts an den weißen Haken am Ende der Handgriffe.

Befestigen Sie die Schlingen an den Beinriemen, ohne sie zu überkreuzen, am linken und rechten schwarzen Knopf der Hubgabel. Normalerweise wird die mittlere der drei Schlingen verwendet. Der Patient kann nun von seinem Sitz gehoben werden. Sobald er den Sitz nicht mehr berührt, wird er mehr Bequemlichkeit empfinden, wenn er wieder in die Sitzposition abgesenkt wird.

Standgurt



Platzieren Sie den Gurt hinten am Rücken des Patienten zwischen Schulterblattbasis und unterem Ende des Brustkorbs. Binden Sie den Stützriemen vorne um den Patienten. Dieser Riemen braucht nicht eng anliegen. Er dient dazu, den Gurt in seiner Position zu halten, während die Schlingen an der Standhilfe befestigt werden. Er kann auf Wunsch auch ganz weggelassen werden. Vergewissern Sie sich, dass sich die Arme des Patienten außerhalb des Gurtes befinden.

HINWEIS: Für detaillierte Anleitungen zur Befestigung siehe die Bedienungsanleitung für die Gurte.

⚠ WARNUNG

Joerns Healthcare empfiehlt, die Gurte regelmäßig und vor dem Gebrauch auf Ausfransen oder andere Schäden zu prüfen. Verwenden Sie KEINE Gurte, die abgenutzt oder beschädigt sind.

⚠ WARNUNG

OXFORD EMPFIEHLT DIE VERWENDUNG VON ORIGINAL OXFORD-TEILEN. Bespannungen und Lifts von Oxford sind frei miteinander kombinierbar. Länderspezifische Angaben zur Bespannung und Kompatibilität finden Sie im Etikett der Bespannung oder wenden Sie sich an Ihren örtlichen Händler oder an Joerns Healthcare.

⚠ WARNUNG

Bitte beachten Sie die maximale Tragfähigkeit des Lifters. Die Kapazität der Gurte ist durch die maximale Tragfähigkeit des Lifters begrenzt.

5. Heben Mit Einem Oxford Ascend

Stellen Sie die Standhilfe so auf, dass die Füße des Patienten in den Fußhalter passen und die Knie am Kniepolster anliegen. Befestigen Sie die längeren Schlingen des Gurts zunächst an den grauen Haken am Ende der Handgriffe der Standhilfe. Die Hände des Patienten sollten auf den Handgriffen liegen. (Ist der Patient erst an den Lifter gewöhnt, können die kürzeren Schlingen verwendet werden, um eine aufrechtere Position zu erhalten). Dann drücken Sie auf der Handbedienung die Taste NACH OBEN, um den Patienten in die Standposition zu heben.

6. Safety Precautions

Lesen und befolgen Sie die nachfolgend aufgeführten Sicherheitshinweise. Betrieb und Funktionsweise des Oxford Patientenlifters sind einfach und direkt. Wenn Sie diese grundlegenden Sicherheitsvorkehrungen beachten, ist der Hebebetrieb leicht und problemlos.

DER "ASCEND" LIFTER DARF NUR VON PERSONEN VERWENDET WERDEN, DIE DIESES BENUTZERHANDBUCH GELESEN UND VERSTANDEN HABEN.

WARNUNG: Wichtige Sicherheitsinformationen über Gefahren, die schwere Verletzungen zur Folge haben können.

VORSICHT: Informationen zur Vermeidung von Beschädigungen am Produkt.

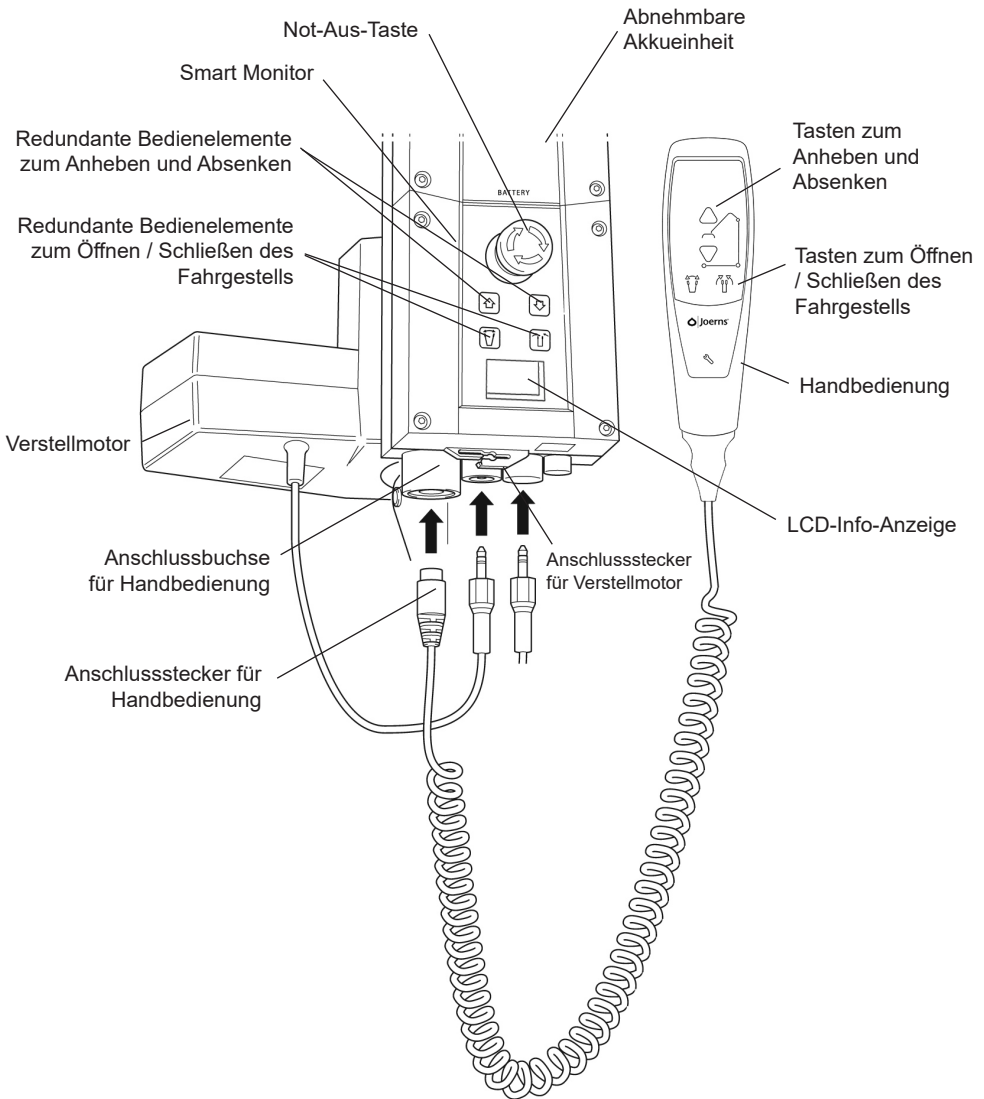
HINWEIS: Informationen, auf die Sie besonders achten sollten.

WARNUNG

- Oxford Patientenlifter dürfen nur von entsprechend geschultem/sachkundigem pflege personal bedient werden.
- Planen Sie die mit dem Lifter auszuführenden Aufgaben STETS, bevor Sie beginnen.
- Gehen Sie vor JEDEM Einsatz des Lifters die TÄGLICHE PRÜFLISTE durch.
- Machen Sie sich vor JEDEM Heben von Patienten mit den Bedienungselementen und Sicherheitseinrichtungen des verwendeten Lifters vertraut.
- Verwenden Sie KEINE Gurte, die nicht ausdrücklich zur Verwendung mit diesem Lifter empfohlen werden.
- Prüfen Sie STETS, ob der Gurt für den speziellen Patienten geeignet ist und die korrekte Größe und Tragfähigkeit besitzt.
- Verwenden Sie NIEMALS Gurte, die ausgefranst oder beschädigt sind.
- Passen Sie die Gurte STETS gemäß den Anweisungen (Benutzerhandbuch) an.
- Überschreiten Sie NICHT die zulässige Arbeitsbelastung.
- Vergewissern Sie sich STETS, dass die zulässige Arbeitsbelastung des Lifters für das Gewicht des Patienten ausreicht.
- Bedienen Sie den Lifter STETS gemäß den Anweisungen im Benutzerhandbuch.
- Bedienungs- oder Sicherheitselemente dürfen AUF KEINEN FALL entfernt oder außer Kraft gesetzt werden, um den Lifter-Betrieb zu vereinfachen.
- Heben Sie Patienten NIEMALS mit festgestellten Laufrollen an. Der Lifter muss sich stets auf den richtigen Schwerpunkt positionieren können.

- Manövrieren Sie den Lifter NIEMALS durch Schieben am Mast, Ausleger oder am Patienten.
- Manövrieren Sie den Lifter STETS mit dem vorhandenen Handgriff / Fußschiebepedal.
- Senken Sie den Patienten vor Beginn des Transfers STETS auf die niedrigste bequeme Position.
- Schieben Sie den beladenen Lifter NICHT bei Geschwindigkeiten, die über einer langsamen Schrittgeschwindigkeit liegen (3 km/h, 0,8 m/s).
- Schieben Sie den Lifter NICHT über unebene oder raue Flächen, insbesondere wenn er beladen ist.
- Schieben/ziehen Sie den beladenen Lifter NICHT über Hindernisse am Boden.
- Betätigen Sie die Bedienungs-/Sicherheitselemente NIEMALS mit Gewalt. Alle Elemente sind leichtgängig und ohne größere Kraftanstrengung zu betätigen.
- Die MINDESTLAST zum manuellen Absenken des Patientenlifters mit der mechanischen Notabsenkung beträgt 30 kg.
- Parken Sie den beladenen Lifter NICHT auf schiefen Ebenen.
- Verwenden Sie elektrische Lifter NICHT in Duschbädern.
- Laden Sie elektrische Lifter NICHT in Bädern oder Duschräumen auf.
- Heben Sie KEINE Patienten, wenn Sie nicht dafür ausgebildet und kompetent sind.
- IHR Lifter ist zum Heben von Patienten konzipiert worden. Er darf von Ihnen oder anderen für KEINE anderen Zwecke verwendet werden.
- Der Lifter darf in beladenem oder in unbeladenem Zustand KEINE Stufen herunter geschoben werden.
- Führen Sie den beladenen Lifter NICHT über schiefe Ebenen mit mehr als 1:12 (ca. 5 Grad) Gefälle.
- Führen Sie den Lifter NICHT ohne zweiten Helfer über schiefe Ebenen.
- Verwenden Sie ihn NICHT in einer feuchten oder korrosiven Umgebung wie z. B. an einem Schwimmbecken.

7. Smart Monitor und Handbedienung



Bestimmungsgemäße Verwendung

Der Oxford Smart Monitor ist ein Steuersystem für mobile Oxford Patientenlifter. Der Smart Monitor speichert nützliche Servicedaten zum Patientenlifter, die bei Bedarf aufgerufen werden können. Zu den Servicedaten gehören:

- Anzahl der mit Patienten durchgeführten Hübe
- Gesamtleistung des Verstellmotors
- Anzahl der Überlasten am Patientenlifter (Hubversuche über der maximalen Tragfähigkeit)
- Anzahl der Tage seit dem letzten Serviceintervall

In den Oxford Smart Monitor ist ein Mikroprozessor eingebaut, mit dem Servicedaten über die eingebaute LCD-Anzeige ausgelesen werden kann.

Funktionen

- Datensammlung im Steuerkasten mit Anzeige der Daten über eine LCD-Anzeige
- Leistungszähler
- Intelligenter Hubzähler
- Serviceanzeige
- Serviceintervallanzeige
- Überlastinformationen
- 3-stufige Akkuanzeige

Vorteile

- Mehr Sicherheit für Patienten und Pflegepersonal
- Korrekte Servicedaten auf Knopfdruck verfügbar
- Optimierte Lebensdauer des Produkts
- Einfache Wartung für Mechaniker und Servicemechaniker

LCD Anzeige

Mit dem Oxford Smart Monitor können Daten über die LCD-Anzeige ausgelesen werden. Es können die Gesamtzahl der Hubvorgänge, Gesamtleistung, Überlasten und Anzahl der Tage seit dem letzten Service ausgelesen werden, die zur schnellen und einfachen Beurteilung des Zustands des Hubverstellmotors verwendet werden können.

Der Zugriff auf die Daten erfolgt durch Drücken der Taste 'UP' an der Handbedienung für ½ Sekunde oder der redundanten Taste 'UP' am Smart Monitor.



— Gesamtzahl der Hübe

— Gesamtleistung (Ampere * Sekunden)

— Anzahl der Überlasten

— Anzahl der Tage (seit dem letzten Service) /
Anzahl der Tage (zwischen einem Service und dem nächsten)

Informationen zu Service und Verwendung



Wenn ein Service fällig ist, erscheint das Service-Symbol auf dem Display. Wenn die Handbedienung aktiviert ist, gibt der Smart Monitor auch ein akustisches Signal ab, das den Benutzer darauf hinweist, dass ein Service erforderlich ist.

Das Service-Symbol wird jedes Mal angezeigt, wenn die Taste zum Anheben oder Absenken an der Handbedienung gedrückt wird. Wenn das Service-Symbol angezeigt wird, wenden Sie sich sofort an Ihren autorisierten Fachhändler, um einen Termin für einen Service zu vereinbaren.

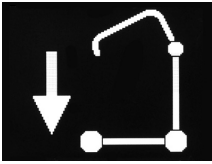


Wenn der Patientenlifter wegen einer Überlast (ein Versuch, mehr als die maximal zulässige Tragkraft anzuheben) stoppt, erscheint das Überlast-Symbol auf der LCD-Anzeige und der Patientenlifter funktioniert erst wieder, wenn die zusätzliche Last (über der maximalen zulässigen Tragkraft) abgenommen wurde.

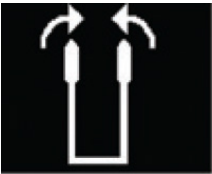
⚠️ WARNUNG

Wenn die LCD-Anzeige auf Ihrem Smart Monitor eine Überlast erfasst hat, empfiehlt Joerns Healthcare, vor der weiteren Benutzung ALLE täglichen Routineprüfungen am Patientenlifter durchzuführen (eine Liste der täglichen Überprüfungen finden Sie im Benutzerhandbuch des Patientenlifters). Joerns Healthcare empfiehlt auch, dass Sie sich für weitere Informationen an Ihren autorisierten Oxford Fachhändler wenden.

Ingebaute redundante Steuerung



Mit der eingebauten redundanten Steuerung kann der Patientenhilfen im Notfall angehoben oder abgesenkt werden.

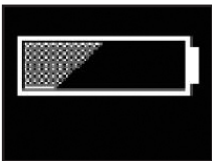


Wenn Ihr Patientenhilfen mit einer elektrischen Fahrgestellpositionierung ausgestattet ist, sind redundante Bedienelemente zum Öffnen und Schließen des Fahrgestells vorhanden.

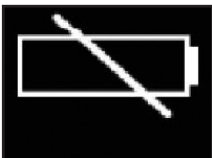
Angaben zum Akku



Wenn auf dem Display ein voller Akku angezeigt wird, heißt das, dass der Akku ganz aufgeladen und der Patientenhilfen betriebsbereit ist.



Wenn auf dem Display eine halb leere Akku angezeigt wird, heißt das, dass der Akku aufgeladen werden muss.



Das Symbol mit dem leeren Akku auf dem Display zeigt an, dass der Akku ganz leer ist und sofort aufgeladen werden sollte.

⚠️ WARNUNG

Um eine mögliche Dauerschädigung des Akkus zu vermeiden, sollte der Akku aufgeladen werden, wenn das halb leere Akkusymbol auf dem Display angezeigt wird.

8. Betriebshinweise

WARNUNG

Oxford Patientenlifter dürfen nur von entsprechend geschultem/sachkundigem Pflegepersonal bedient werden.

1. Einstellen der Fahrgestellbreite

Die Breite des Fahrgestells am Oxford Ascend ist elektrisch einstellbar. Das Fahrgestell kann gespreizt werden, um Sessel oder Rollstühle zu umschließen. Für den Transfer durch enge Türen und Durchgänge sollte das Fahrgestell zusammengeführt werden.

Elektrisches Einstellen der Fahrgestellbreite - Drücken Sie auf der Handbedienung die entsprechenden Tasten. Das Fahrgestell wird festgestellt, wenn der Handbedienungsschalter losgelassen wird.

2. Laufrollen und Feststellbremsen

Der Lifter besitzt zwei feststellbare Laufrollen, die beim Abstellen benutzt werden. Beim Heben müssen die Laufrollen frei und nicht festgestellt sein. Der Lifter kann sich dann zum Schwerpunkt des Lifters hin bewegen. Wenn Sie die Bremse betätigen, kann der Patient beim Heben mit festgestellten Laufrollen möglicherweise zum Schwerpunkt schwenken, was beunruhigend oder unangenehm sein kann.

3. Heben und Senken des Auslegers

Die Hubbewegung des Auslegers erfolgt durch einen leistungsstarken elektrischen Stellmotor, der mit einer einfachen Handbedienung gesteuert wird. Auf der Handbedienung befinden sich zwei Tasten mit den Richtungspfeilen AUFWÄRTS und ABWÄRTS. Der Stellmotor stoppt automatisch in der oberen bzw. unteren Endlage. Die Handbedienung ist an einer Buchse unten an der Steuereinheit angeschlossen.

4. Not-Aus-Taste

Die rote Not-Aus-Taste befindet sich auf der Vorderseite der Steuereinheit und wird durch Drücken ausgelöst. In diesem Fall wird die gesamte Stromzufuhr zum Lifter unterbrochen. Um den Not-Aus-Zustand aufzuheben, wird die Taste gegen den Uhrzeigersinn gedreht und losgelassen.

5. Redundante Steuerung

Alle Oxford Patientenlifter sind mit Tasten zum Anheben und Absenken am Steuerkasten ausgestattet. Sie befinden sich unter der Not-Aus-Taste und können beim Ausfall der Handbedienung zum Absenken/Anheben des Patienten verwendet werden.

6. Mechanische Notabsenkung

Für den Fall eines kompletten Stromausfalls ist der elektrische Stellmotor mit einem mechanischen Senkmechanismus (ROTER KNOPF) ausgestattet. Der Mechanismus funktioniert nur, wenn sich der Lifter unter Last befindet. Zum Auslösen ziehen Sie den Mechanismus nach oben. Die Vorrichtung senkt sich langsam ab.

HINWEIS: Die MINDESTLAST zum manuellen Absenken des Patientenlifters mit der mechanischen Notabsenkung beträgt 30 kg.

7. Akkus

Die Akkus werden durch einen LADEZUSTANDSALARM vor zu starker Entladung geschützt. Dieser Alarm ertönt bei Betätigung der Handbedienung, wenn die Akkus aufgeladen werden müssen. Der Alarmton wird nur dann ausgelöst, wenn die Handbedienung betätigt wird. **DIESER ALARM IST UNBEDINGT ZU BEACHTEN.** Führen Sie den Hebevorgang zu Ende und laden Sie die Akkus auf (siehe „Aufladen der Akkueinheit“). Der Akkuladestand wird an der Anzeige an der Handbedienung angezeigt.

VORSICHT

Akku, Ladegerät, Handsteuerung, Steuereinheit und Stellmotor dürfen nur von autorisiertem Personal geöffnet werden. (Wenden Sie sich wegen Garantie und Reparaturen an Ihren Händler).

8. Gurte

Der Oxford Ascend eignet sich für Patienten in SITZENDER Position. Folgende Gurte sind für dieses Gerät geeignet:

- Oxford Transport
- Oxford Standing

9. Einstellen des Kniepolsters

Der Ascend hat ein einstellbares Kniepolster. Der Bewegungsumfang beträgt ca. 15 cm. Das Kniepolster wird eingestellt, indem der Knopf auf der linken Seite des Polsters gelöst wird, sodass die Baugruppe lose genug ist, um das Kniepolster entweder nach oben oder nach unten zu bewegen.

10. Entfernbare Fußplatte

Der Ascend besitzt eine entfernbare Fußplatte. Um die Fußplatte zu entfernen, stellen Sie sich vor das Gerät und heben Sie die Fußplatte von der Mitte der Baugruppe aus nach oben. **HINWEIS:** Heben Sie die Fußplatte vorsichtig von ihrer unteren Position hoch.

9. Aufladen der Akkueinheit

Wenn die Akkueinheit geladen werden muss, wird sie vom Patientenlifter abgenommen und an ein externes Ladegerät angeschlossen.

Joerns Healthcare empfiehlt, eine zusätzliche Akkueinheit zu beschaffen, damit immer eine Akkueinheit geladen werden kann.

1. Nehmen Sie die Akkueinheit aus dem Patientenlifter heraus. Die Einheit wird von einem einfachen Verschluss oben an der Akkueinheit gehalten. Wenn Sie den Verschluss anheben, wird die Akkueinheit freigegeben.
2. Schließen Sie die Akkueinheit an das Ladegerät an. Die Akkueinheit wird genauso am Ladegerät positioniert und verriegelt wie am Patientenlifter.
3. Stecken Sie den Netzstecker des Ladegeräts in eine geeignete Netzsteckdose ein und schalten Sie die Stromversorgung EIN.
4. Der Ladevorgang erfolgt automatisch und die Akkus sind nach vier (4) Stunden ganz aufgeladen.

HINWEIS: Auch wenn das Ladegerät für längere Zeit eingesteckt bleibt, sind die Akkus vor Überladung geschützt.

- a) Grünes Licht - Zeigt an, dass es eingeschaltet ist.
- b) Gelbes Licht - Zeigt an, dass der Akku geladen wird.
- c) Batterie ist ganz aufgeladen, wenn das gelbe Licht ausgeht.

HINWEIS: Es wird empfohlen, den Akku sofort nach der Anlieferung aufzuladen.

5. Um den Patientenlifter wieder in Betrieb zu nehmen, schalten Sie die Stromversorgung AUS und nehmen Sie die Akkueinheit vom Ladegerät ab. Setzen Sie die Akkueinheit in den Patientenlifter ein und vergewissern Sie sich, dass der Verschluss, mit dem die Einheit gesichert ist, ganz eingerastet ist. Die Einheit muss mit einem Klickgeräusch einrasten. Das Laden der elektrischen Oxford Patientenlifter ist einfach, aber es ist wichtig, dass die Ladeanleitung genau befolgt wird. Beachten Sie dazu bitte die folgenden Punkte, die Ihnen dabei helfen, Probleme mit entladene Akkus zu vermeiden.

WARNUNG

- **Akku, Ladegerät, Handsteuerung und Steuereinheit dürfen NUR von autorisiertem Personal geöffnet werden. (Wenden Sie sich wegen Garantie und Reparaturen an Ihren Fachhändler).**
- **Die Akkupole/Pole des Ladegeräts NICHT berühren.**
- **Die Akkus IMMER ganz aufladen. Lassen Sie die Akkueinheit immer aufladen, wenn sie nicht benutzt wird. Wenn es für Sie einfacher ist, laden Sie sie jede Nacht auf. Das Ladegerät schützt die Akkueinheit vor dem Überladen.**
- **Die Akkus NIE ganz entladen lassen. Sobald das Alarmsignal ertönt, den Hebevorgang zu Ende führen und die Akkus aufladen**

- **Um eine mögliche Dauerschädigung des Akkus zu vermeiden, sollte der Akku aufgeladen werden, wenn das halb leere Akkusymbol auf dem Display angezeigt wird.**
- **Den Akku IMMER in regelmäßigen Abständen nachladen, wenn er für längere Zeit nicht verwendet wird.**
- **STETS darauf achten, dass die Netzspannung zum Ladegerät ausgeschaltet ist, bevor das Akkupaket angeschlossen oder abgenommen wird.**
- **Das Akkupaket NIE am Ladegerät angeschlossen lassen, wenn die Netzspannung zum Ladegerät ausgeschaltet ist.**
- **DAS LADEGERÄT NICHT eingeschaltet lassen, wenn der Akku nicht angeschlossen ist.**
- **DEN PATIENTENLIFTER WÄHREND DES LADEVORGANGS NICHT benutzen.**
- **ÜBERPRÜFEN Sie vor dem Verfahren, dass der Patientenlifter nicht aufgeladen wird, da der elektrische Anschluss sonst dadurch beschädigt werden kann.**
- **DAS LADEGERÄT KEINESFALLS durch Ziehen am Kabel ausstecken.**
- **ACHTEN SIE DARAUF, dass Sie nicht über das Ladekabel stolpern.**
- **LADEN SIE ELEKTRISCHE PATIENTENLIFTER NICHT in Bädern oder Duschräumen auf.**

10. Wartungsplan und tägliche Prüfliste

Alle Oxford Produkte sind so konzipiert, dass sie nur ein Minimum an Wartung benötigen. Einige Sicherheitsprüfungen und -prozeduren sind jedoch unerlässlich. Im Folgenden sind die TÄGLICH auszuführenden Aufgaben aufgeführt. Tägliche Überprüfungen und alle sechs Monate Wartung, Inspektion und Prüfung gewährleisten, dass ein Lifter in optimalem, sicherem Funktionszustand bleibt. Eine Liste der Ersatzteile erhalten Sie auf Anfrage.

Die BELASTUNGSPRÜFUNG und -zertifizierung sollte nur von qualifiziertem Personal oder von autorisierten Servicevertretern / Händlern durchgeführt werden.

TÄGLICHE PRÜFLISTE: Joerns Healthcare empfiehlt dringend, dass der Lifter täglich vor der Benutzung auf folgende Punkte überprüft wird.

- VERGEWISSERN SIE SICH, dass sich der Patientenlifter frei auf den Laufrollen bewegen kann.
- UNTERSUCHEN SIE, ob der Spreizbügel ("Kuhhörner") fest am Ausleger angebracht ist.
- UNTERSUCHEN Sie die Gurthaken/Clips an der 6-Punkt-Halterung auf Schäden und übermäßige Abnutzung.
- VERGEWISSERN SIE SICH, dass sich das Fahrgestell ordnungsgemäß öffnen und schließen und in allen geöffneten und geschlossenen Positionen arretieren lässt.
- BETÄTIGEN SIE die Handbedienung, um sicherzustellen, dass sich der Ausleger einwandfrei heben und senken lässt.
- VERGEWISSERN SIE SICH, dass auf der Anzeige des Steuerkastens kein Schraubenschlüssel-Symbol aufleuchtet und beim Drücken der Tasten Anheben/Absenken kein akustisches Signal ertönt.
- ÜBERPRÜFEN SIE, dass die Not-Aus-Taste funktioniert.
- ÜBERPRÜFEN Sie die Gurte auf Ausfransen oder andere Schäden. Beschädigte oder verschlissene Gurte NICHT verwenden.
- ÜBERPRÜFEN SIE, dass am Patientenlifter kein Alarm ertönt, wenn die Handbedienung betätigt wird. Wenn der Alarm ertönt, den Patientenlifter NICHT benutzen und sofort aufladen.
- VERGEWISSERN SIE SICH, dass die Verbindungsstellen zum Verstellmotor gesichert sind.
- FÜHREN Sie eine SICHTPRÜFUNG aller Befestigungsteile und Befestigungen durch und vergewissern Sie sich vor der Benutzung, dass sie alle gesichert sind.

Wartung, Inspektion und Prüfung

Joerns Healthcare empfiehlt eine regelmäßige gründliche Inspektion und Prüfung des Oxford Ascend Lifters und der Zubehörteile (Gurte, Waagen usw.). Die Häufigkeit der Inspektionen ist je nach Einsatzort unterschiedlich, d.h., Sie müssen sich bei Ihrem Händler oder bei der zuständigen Behörde vor Ort erkundigen, wie oft eine Inspektion durchgeführt werden muss. Die Untersuchung und der Test müssen nach den in diesem Handbuch angegebenen Empfehlungen und Verfahrensweisen durchgeführt werden. Joerns Healthcare empfiehlt, dass Wartung, Inspektion und zertifizierte Prüfungen nur von autorisierten Servicevertretern / Händlern durchgeführt werden.

HINWEIS: Diese Empfehlungen entsprechen den Vorschriften für Großbritannien und Nordirland gemäß No2307 Health and Safety: The Lifting Operations and Lifting Equipment Regulations 1998 (Vorschriften zur Arbeitssicherheit für Hebevorgänge und Lifter). Außerhalb von Großbritannien und Nordirland gelten die Vorschriften des jeweiligen Landes.

Reinigung

Verwenden Sie zum Reinigen herkömmliche Seife und Wasser und/oder Desinfektionsmittel für harte Oberflächen. Starke chemische Reinigungsmittel oder Scheuermittel sollten nicht verwendet werden, da diese die Oberfläche des Lifters angreifen. Setzen Sie die elektrischen Teile keiner Feuchtigkeit aus. Nach der Reinigung sollte das Gerät gründlich getrocknet werden.

Entsorgung am Ende der Lebensdauer

Akku: Alle Akkus im Produkt und im eventuell vorhandenen Zubehör müssen separat dem Recycling zugeführt werden. Akkus sind gemäß den vor Ort oder landesweit geltenden Vorschriften zu entsorgen.

Gurte: Gurte und dazugehörige Materialien und Zubehör sind gemäß den vor Ort oder landesweit geltenden Vorschriften als brennbare Abfälle zu sortieren.

***DIESE PRÜFUNGEN SOLLTEN UMFASSEN:**

	Anfänglich	Vor dem Gebrauch	Wartungsintervalle
1. AUSLEGER: Prüfen Sie die Verbindung von Ausleger und Mast. Stellen Sie sicher, dass der Ausleger sich nur geringfügig seitlich bewegen und sich frei im Lager des Auslegers drehen kann.	✓	✓	✓
2. BEFESTIGUNGSPUNKTE FÜR DIE GURTE: Überprüfen Sie die Gurthaken und die Verbindungsclips am Spreizbügel und am Ausleger auf übermäßigen Verschleiß.	✓	✓	✓
3. MAST: Prüfen Sie die Funktion des Mast-Feststellknopfes. Achten Sie darauf, dass der Mast in der entsprechenden Buchse einrastet.	✓	✓	✓
4. STELLMOTOR: Der Stellmotor muss, abgesehen vom Prüfen auf korrekten Betrieb und außergewöhnliche Geräusche, nicht gewartet werden.			✓
5. KNIEPOLSTER: Überprüfen Sie, dass der Verstellmechanismus für die Kniepolster sicher befestigt ist.	✓	✓	
6. SMART MONITOR: Überprüfen Sie die Funktion der Not-Aus-Taste. Überprüfen Sie, dass der richtige Anschluss in die Buchse an der Handbedienung eingesteckt ist. Überprüfen Sie die Funktion der Handbedienung. Überprüfen Sie die redundanten Bedienelemente und dass sie ordnungsgemäß funktionieren. Hinweis: Die MINDESTLAST zum manuellen Absenken des Patientenlifters mit der mechanischen Notabsenkung beträgt 30 kg.	✓	✓	✓
7. AKKUS: Die Akkus befinden sich in der Akkueinheit und müssen, abgesehen vom regelmäßigen Aufladen (siehe "Aufladen der Akkueinheit"), nicht gewartet werden. Achten Sie darauf, dass die Anschlüsse sauber bleiben.			✓
8. AKKUS (Laden): Vergewissern Sie sich, dass der Lifter keinen Alarm für niedrigen Akkuladestand auslöst, wenn die Handbedienung betätigt wird. Wenn der Alarmton ertönt, benutzen Sie das Gerät nicht und laden Sie den Akku sofort auf.	✓	✓	
9. EINSTELLEN DER FAHRGESTELLBREITE: Prüfen Sie, dass das Fahrgestell nach innen und nach außen in vollem Umfang verstellt werden kann.	✓	✓	✓
10. LAUFROLLEN: Prüfen Sie, dass die Laufrollen fest mit dem Fahrgestell verbunden sind. Vergewissern Sie sich, dass die Laufrollen frei beweglich sind.	✓	✓	✓
11. REINIGUNG: Verwenden Sie zum Reinigen herkömmliche Seife und Wasser und/oder Desinfektionsmittel für harte Oberflächen. Starke chemische Reinigungsmittel oder Scheuermittel sollten nicht verwendet werden, da diese die Oberfläche des Lifters angreifen. Setzen Sie die elektrischen Teile keiner Feuchtigkeit aus. Nach der Reinigung sollte das Gerät gründlich getrocknet werden.		✓	✓

	Amfänglich	Vor dem Gebrauch	Wartungsintervalle
12. BELASTUNGSPRÜFUNG: Die Belastungsprüfung muss gemäß den Prüfverfahren des Herstellers. Es wird dringend empfohlen, die Prüfung von einem autorisierten Fachhändler durchführen zu lassen.			✓
13. FAHRGESTELL UND ROLLEN: Vergewissern Sie sich, dass das Fahrgestell auf glattem, ebenem Boden steht (alle vier Rollen haben Bodenkontakt).	✓	✓	✓
14. GURTE: Prüfen Sie auf Verschleiß und Ausfransen.	✓	✓	✓
15. SCHMIERUNG: Schmieren Sie die Drehgelenke mit einem Öl auf Silikonbasis sowie Mast- und Auslegerverbindungen, Pedale, Gelenk des Spreizbügels (nur nach Bedarf).			✓
16. HANDBEDIENUNG: Vergewissern Sie sich, dass sie vollständig in die Steuerung eingesteckt ist.	✓	✓	

11. Technische Daten

Zulässige Belastung	440 lbs	200 kg
Maximale Gesamtlänge.....	43.3 Zoll	1100 mm
Minimale Gesamtlänge.....	40.8 Zoll	1035 mm
Maximale Gesamthöhe	66.5 Zoll	1690 mm
Minimale Gesamthöhe	48.4 Zoll	1230 mm
Spreizbügel, maximale Höhe	64.7 Zoll	1644 mm
Spreizbügel, minimale Höhe	37 Zoll	940 mm
Wenderadius	51.9 Zoll	1320 mm
Fahrgestell, gespreizt - Äußere Breite	39.1 Zoll	995 mm
Fahrgestell, gespreizt - Innere Breite.....	34.8 Zoll	885 mm
Fahrgestell, geschlossen - Äußere Breite	24.8 Zoll	630 mm
Fahrgestell, geschlossen - Innere Breite	20.0 Zoll	510 mm
breitester punkt (zwischen Unterstützungshandgriffen).....	28.9 Zoll	735 mm
Gesamthöhe des Fahrgestells	4.7 Zoll	120 mm
Bodenabstand	1.4 Zoll	35 mm
Doppelaufrollen vorne	4.0 Zoll	100 mm
Laufrollen mit Feststellbremse hinten	4.0 Zoll	100 mm
Gewicht		
Mast, Fahrgestell, Ausleger.....	97 lbs	44.0 kgs
Akkueinheit.....	6.6 lbs	3 kgs
Gesamt.....	103.6 lbs	47.0 kgs
Fahrgestell (ohne Akku).....	42.9 lbs	19.5 kgs
Mast und Ausleger (ohne Akku).....	45.1 lbs	20.5 kgs

HINWEIS: Fertigungstoleranzen gelten für alle Maße..

Elektrische Daten

AKKUS	24 Volt wiederaufladbar, geschlossene Blei-Säure-Akkus
AKKUKAPAZITÄT	3,2 Amperestunden
EINGANGSSPANNUNG DES LADEGERÄTS (NENNWERT).....	100 - 240 V WS// 24 V GS 50/60 Hz
AUSGANGSSPANNUNG DES LADEGERÄTS (NENNWERT).....	29,5 V GS, Max. 19 W

Überspannungsschutz

LADEGERÄT	KLASSE II
LIFTER	INTERNE STROMQUELLE

Degree of Shock Protection

LADEGERÄT	TYP B
LIFTER	TYP B

Umgebungsbedingungen

Außerhalb dieses Bereichs können Funktionalität und Sicherheit nicht gewährleistet werden.

Betriebs:

Temperatur	5°C bis 35°C
Relative Luftfeuchte.....	20% bis 90% bei 30°C - nicht kondensierend
Luftdruck.....	700 bis 1060 hPa

Verstauung:

Temperatur	-10°C bis +50°C
Relative Luftfeuchte.....	20% bis 90% bei 30°C - nicht kondensierend
Luftdruck.....	700 bis 1060 hPa

IP-BEWERTUNG

Steuereinheit	IPX4
Stellmotor	IPX4
Externes Ladegerät	IPX5
Akku	IPX5
Handbedienung	IPX5

EINSATZZYKLEN

Stellmotor	10% (2 min./18 min.)
Ladegerät	Ca. 4 Std.

ACOUSTICS

A-Weighted sound power level	55.6 dB (A)
------------------------------------	-------------

WICHTIGE SYMBOLE:

Die folgenden Symbole werden am Ladegerät, am Steuerkasten und am Akku verwendet:



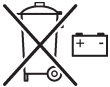
Bei diesem Produkt handelt es sich um ein Medizinprodukt gemäß der EU-Verordnung 2017/745 über Medizinprodukte.



Medizinisches elektrisches Gerät, Typ B, gemäß EN 60601-1



Geräte der Klasse 2



Die Akkus dürfen nicht als Hausmüll entsorgt werden. Akkus sind gemäß den vor Ort oder landesweit geltenden Vorschriften zu entsorgen.



Die elektronischen Bauteile dürfen nicht als Hausmüll entsorgt werden.



Für den Gebrauch im Haus



ACHTUNG, siehe die beigelegten Unterlagen



Lesen Sie vor der Verwendung die Bedienungsanleitung (Blauer Hintergrund).



Diese Kennzeichnung zeigt die Konformität mit den anwendbaren Anforderungen für Produkte an, die in Großbritannien verkauft werden.



Eine Kontaktstelle zwischen dem außerhalb Europas ansässigen Hersteller des Medizinprodukts, den zuständigen nationalen Behörden (Gesundheitsministerium) und den benannten Stellen.



Das UDI-System (Unique Device Identification – UDI) soll für eine einzige, weltweit harmonisierte Identifizierung von Medizinprodukten über den gesamten Vertriebsweg und Einsatz hinweg sorgen.



Zeigt das Unternehmen an, das das Medizinprodukt in die Region einführt.

WEEE-Registriernummer der Herstellers: WEE/GG0464RZ

12. Garantie

Joerns Healthcare verfügt über ein Netz von autorisierten Fachhändlern und Kundendienstvertretungen, die Ihre Anfragen in Bezug auf Kauf, Garantie, Reparaturen und Wartung gerne beantworten. Wir empfehlen, die Inbetriebnahme unserer Produkte von Ihrem autorisierten Fachhändler oder Ihrer Kundendienstvertretung durchführen zu lassen.

Der Fachhändler oder die Kundendienstvertretung sind für das Garantieprogramm zuständig, deshalb ist es wichtig, dass Sie Namen, Adresse und Telefonnummer notieren, damit Sie sich an diesen bzw. diese wenden können, falls ein Problem auftritt. Wenn Sie sich nicht sicher sind, wo Ihr Patientenlifter gekauft wurde, teilen Sie Joerns Healthcare die Seriennummer des Patientenlifters mit und wir finden den Lieferanten für Sie.

Alle Garantieansprüche sind von der ordnungsgemäßen Benutzung und Wartung gemäß dem Benutzerhandbuch abhängig, das mit allen Patientenliftern mitgeliefert wird. Die Garantie gilt nicht für Schäden, die durch die Benutzung in ungeeigneten Umgebungsbedingungen oder dadurch verursacht wurden, dass die Wartung nicht gemäß dem Benutzer- und Wartungshandbuch durchgeführt wurde. Die Ihnen zustehenden gesetzlichen Rechte bleiben davon unberührt.

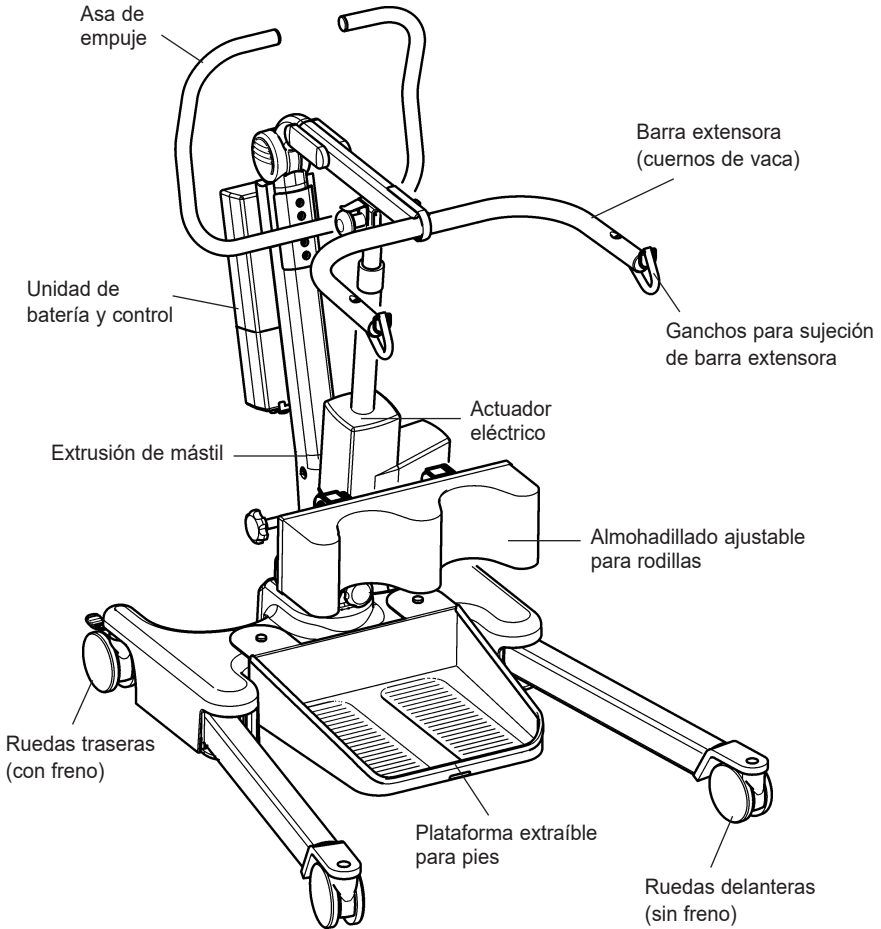
DENKEN SIE DARAN: Wenden Sie sich für Käufe, Reparaturen, Wartung und zertifizierte Wartung immer an Ihren autorisierten Fachhändler oder an Ihre Kundendienstvertretung.

Ihr Vertriebspartner:

Índice

1. El elevador de pacientes Oxford Ascend	81
2. Introducción: generalidades sobre el elevador	82
3. Instrucciones de montaje y encargo	83
4. Guía de eslingas	87
5. Elevación con un Oxford Ascend	88
6. Precauciones de seguridad	89
7. Monitor Smart y control de mano	91
8. Instrucciones de funcionamiento	95
9. Instrucciones para la carga	97
10. Plan de mantenimiento y lista de comprobación diaria	99
11. Especificaciones Técnicas	102
12. Garantía	105

1. El elevador de pacientes Oxford Ascend



2. Introducción: Generalidades sobre el elevador

El embalaje consta de una caja de cartón resistente, hecha a medida para asegurar que el equipo llegue intacto a su destino. Junto con el elevador, se incluye en el embalaje una carpeta que contiene varios documentos, los cuales debe conservar en un lugar seguro para referencias futuras:

• CERTIFICADO DE VERIFICACIÓN • MANUAL DEL USUARIO • LISTA DE COMPROBACIÓN DE EMBALAJE

El CERTIFICADO DE PRUEBA es un documento importante y será necesario para sus registros de seguro. Este certificado tiene una validez de seis meses, tras los cuales el elevador debe someterse a una inspección y servicio de conformidad con el plan de mantenimiento.

Su representante autorizado puede llevar a cabo tareas de mantenimiento y pruebas periódicas para aquellos países en donde ello es un requisito (Europa). Por favor, asegúrese de que el elevador está incluido en los planes de mantenimiento de su proveedor. Si no está completamente seguro de cuáles son los requisitos de mantenimiento de su mercado local, consulte con el distribuidor, con un organismo de gobierno local o con Joerns Healthcare.

ADVERTENCIA

Antes de cada uso diario del elevador, debe llevar a cabo la inspección detallada en la lista de verificaciones diarias, presente en este manual.

La marca CE: El Oxford Ascend lleva incluida la marca de la CE y cumple con las siguientes directivas de la Unión Europea:



- Directiva de Dispositivos Médicos 2017/745
- Directiva EMC 2014/30/EU
- Directiva de bajo voltaje 2014/35/EU

Declaración de uso al que está destinado

El uso previsto para este dispositivo es la elevación y transferencia seguras de un individuo de una superficie de descanso a otra (como de una cama a una silla de ruedas, por ejemplo). Joerns Healthcare recomienda que la transferencia de pacientes se lleve a cabo posteriormente a una evaluación de riesgos, y de manera segura, en una breve distancia solamente.

El modelo Oxford Ascend solo es adecuado para pacientes en posición SENTADA, con un grado de capacidad de tolerancia de peso, pero que requieren asistencia para pararse. Al extraer la bandeja inferior, el elevador de pacientes Oxford Ascend puede usarse también como apoyo para caminar, tras haber realizado una exhaustiva evaluación de riesgos.

El sistema Oxford Ascend es un dispositivo de apoyo diseñado para promover la manipulación y transferencia seguras del paciente, tanto para el individuo que está siendo transportado como para la persona a cargo. El asistente para pararse Oxford Ascend está diseñado para ser utilizado con la amplia gama de arneses Oxford. A continuación citamos ejemplos de arneses adecuados para uso con este dispositivo:

- Oxford Standing Sling
- Oxford Transport Sling

ADVERTENCIA

Solamente personal de salud capacitado y competente debería operar los elevadores de pacientes Oxford.

Vida útil estipulada previa al mantenimiento

Los elevadores profesionales Oxford están diseñados y evaluados para durar un período mínimo de diez (10) años previamente a efectuarse algún tipo de mantenimiento, dependiendo del uso y cumplimiento con las tareas de mantenimiento establecidas en este manual. El uso diferente al establecido en estas instrucciones, podría comprometer la vida útil del producto.

Notificación de incidentes graves

En caso de que se produzca un incidente grave durante el uso de este producto, que afecte al paciente y/o al proveedor de cuidados, debe comunicarse con el fabricante del producto o el distribuidor autorizado. Si el incidente se produce dentro de la Unión Europea (UE), también se debe informar a la autoridad local competente del Estado miembro.

3. Instrucciones de montaje y encargo

Coloque la caja en una zona de trabajo despejada y ábrala con cuidado. La caja contiene:

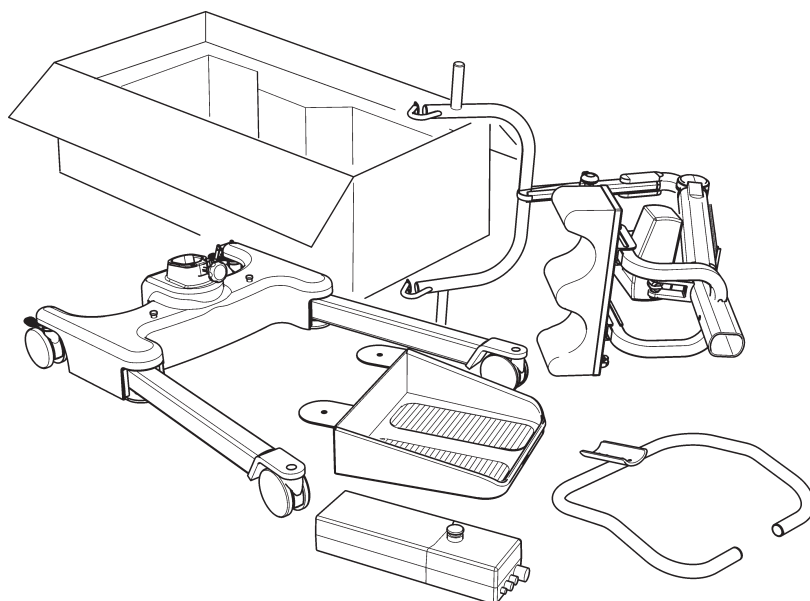
- ELEVADOR OXFORD ASCEND
- BOLSA CONTENIENDO DOCUMENTOS
- CONTROL DE MANO
- UNIDAD DE BATERÍA
- DIODO DE CARGA
- CARGADOR/SOPORTE DE SOBREMESA

⚠ ADVERTENCIA

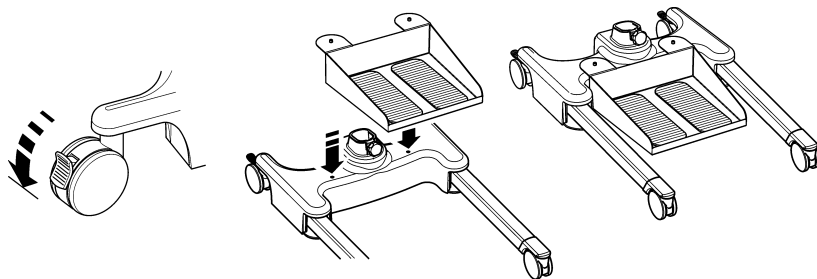
El Oxford Ascend es pesado y habrá que tener cuidado al levantarlo. Puede que necesite ayuda para sacar el Oxford Ascend de la caja.

Montaje

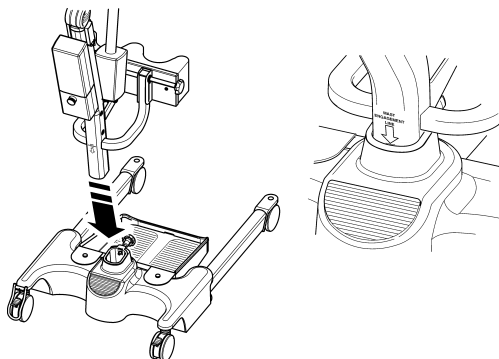
Retire todas las piezas de la caja y colóquelas en el suelo, con cuidado de evitar que el equipo sufra daños en su superficie.



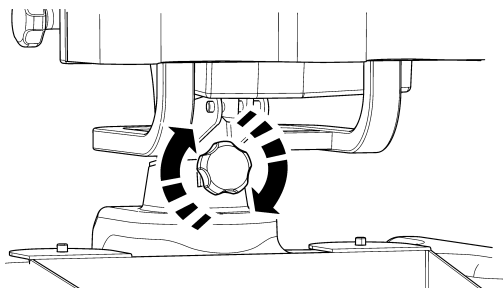
1. Coloque el chasis en un espacio despejado y aplique los frenos traseros. Adherir la bandeja posa pies a la base utilizando los agujeros de posición que se encuentran en la base.



2. Coloque el conjunto de mástil y pluma en el alojamiento del chasis.



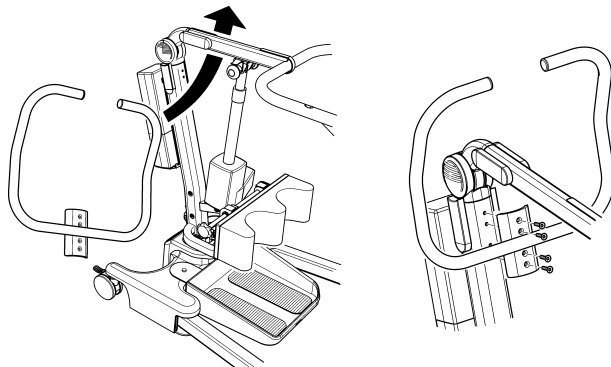
3. Apriete el conjunto de mástil con el dispositivo de bloqueo del mástil, que está situado en la parte delantera del chasis.



⚠ ADVERTENCIA

Evite que queden atrapados sus dedos. Mantenga los dedos alejados del extremo del mástil al insertarlo en el alojamiento del chasis. La etiqueta en el lateral del mástil indica el acoplamiento completo del mástil. El funcionamiento de la pata eléctrica no se producirá a no ser que el mástil esté completamente acoplado.

4. Gire el botón de bloqueo y apriételo con la mano.
5. Alinear el ensamble de la empuñadura con mástil y adherirlo utilizando las piezas de fijación proveídas. Las piezas de fijación y la llave de tuercas necesarias para adherir la empuñadura se encuentran, por razones de seguridad, en la carpeta de instrucciones.



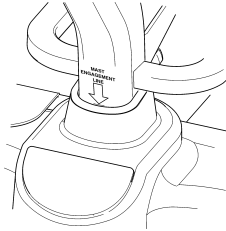
6. Ponga el paquete de alimentación eléctrica en la grúa y cierre el pestillo que asegura el paquete para que éste no se mueva. Hará un sonido de "clic" cuando esté cerrado.

Desmontaje

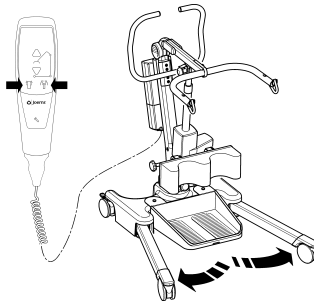
El elevador no debe desmontarse excepto para su mantenimiento, reparación y transporte si fuera necesario. Para ello, siga las instrucciones de montaje en orden inverso.

VERIFIQUE SIEMPRE LO SIGUIENTE ANTES DEL FUNCIONAMIENTO

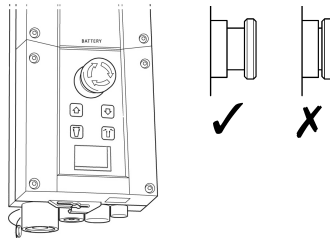
- El mástil está completamente bloqueado en su posición.



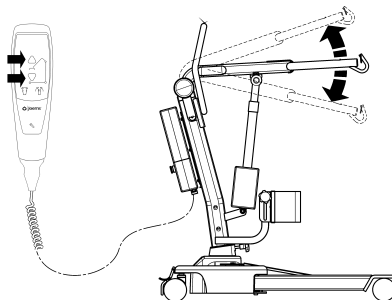
- Las patas del elevador se abren y cierran satisfactoriamente. (Esto se realiza mediante el control de mano).



- El botón rojo de emergencia, situado en la parte posterior del cuadro de control, está en posición OFF (apagado).



- Pulse los botones hacia arriba y hacia abajo del control de mano y confirme que el larguero sube y baja.



4. Guía de eslingas

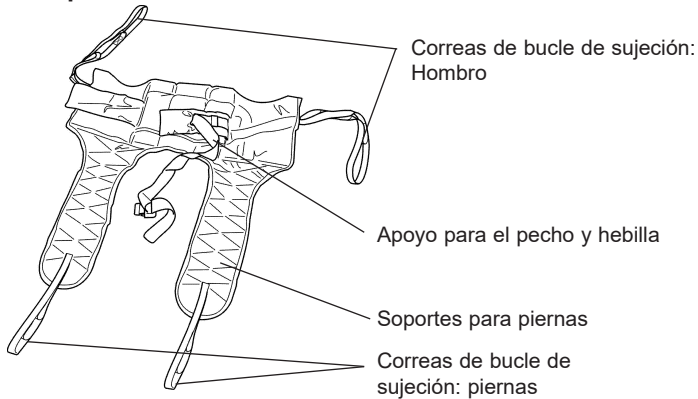
El Oxford Ascend es adecuado para pacientes en las siguientes posiciones: SENTADO. Las eslingas adecuadas para este dispositivo son las siguientes:

- Oxford Transport
- Oxford Standing

Guía del usuario para eslingas Standaid

Guía del usuario para las eslingas Standaid La eslinga Transport y Standing es una eslinga que se acopla fácilmente, adecuada para estar de pie y para apoyo. No es una eslinga de uso general y una persona cualificada deberá evaluar si su utilización es adecuada para un paciente dado.

Eslinga Transport



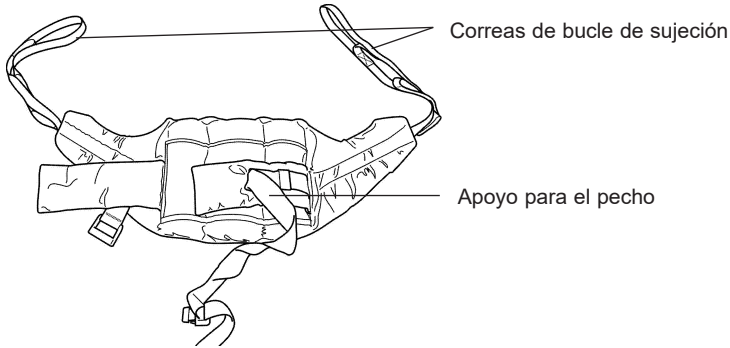
Pase la eslinga por debajo de la espalda del paciente dejando la parte superior de la apertura para el inodoro en la base de la espina dorsal. Compruebe que la parte enrollable de la eslinga quede cuadrada sobre la espalda del paciente.

Sujete la correa de apoyo alrededor del pecho del paciente. Esta correa no tiene que quedar apretada. Su función consiste en sujetar la eslinga en su posición mientras se atan los bucles al Standaid. Puede dejarse sin abrochar si se prefiere. Asegúrese de que los brazos del paciente queden en la parte exterior de la eslinga.

Levante la pierna del paciente y pase la correa para la pierna por debajo y hacia arriba entre las piernas. Asegúrese de que la eslinga no quede torcida o arrugada bajo el muslo. Repita este procedimiento para la otra pierna. Sujete los bucles de las partes enrolladas de la eslinga a los ganchos blancos en el extremo de las empuñaduras para la mano.

Sin cruzar los bucles sobre las correas para la pierna, sujete los botones izquierdo y derecho sobre la horquilla de elevación. Normalmente se utiliza la parte intermedia de los tres bucles. El paciente está ahora preparado para ser levantado desde la silla. Una vez fuera de la silla, el paciente estará más cómodo si se le baja a la posición de sentado.

Eslinga Standing



Coloque la eslinga por debajo de la espalda del paciente entre la base de las escápulas del hombro y la parte inferior de las costillas. Sujete las correas de apoyo alrededor de la parte delantera del paciente. Esta correa no tiene que quedar apretada. Su función consiste en sujetar la eslinga en su posición mientras se sujeta la eslinga al Standaid. Puede dejarse sin abrochar si se prefiere. Asegúrese de que los brazos del paciente queden en la parte exterior de la eslinga.

NOTA: Para obtener instrucciones de colocación más detalladas, consulte la guía del usuario proporcionada con cada eslinga.

⚠ ADVERTENCIA

Joerns Healthcare recomienda comprobar las eslingas regularmente y, en especial, antes del uso por si están deshilachadas o dañadas. **NO** utilice eslingas que estén desgastadas o dañadas.

⚠ ADVERTENCIA

OXFORD RECOMIENDA UTILIZAR PRODUCTOS AUTÉNTICOS OXFORD. Los sistemas Oxford de eslingas y elevación tienen un diseño que los hace compatibles entre sí. Para obtener información y consejos específicos acerca del uso y compatibilidad de las eslingas, consulte la etiqueta de la eslinga, o bien comuníquese con su distribuidor local de mercado o con Joerns Healthcare.

⚠ ADVERTENCIA

Consulte la capacidad de peso máximo del elevador. La capacidad de la eslinga está limitada por la capacidad máxima del elevador.

5. Elevación con un Oxford Ascend

Coloque el Standaid de manera que los pies del paciente se acomoden en la bandeja para pies y las rodillas descansen contra el almohadillado para rodillas. Inicialmente, sujete los bucles más largos de la eslinga a los ganchos grises en el extremo de las empuñaduras para la mano del Standaid. Las manos del paciente deben colocarse en las empuñaduras. (Una vez que el paciente está acostumbrado al elevador, se pueden utilizar bucles más cortos para conseguir una posición más erguida). Después, pulse el botón UP en el control de mano para levantar al paciente a la posición de pie.

6. Precauciones de seguridad

Por favor, lea y siga las precauciones de seguridad que figuran más abajo. El funcionamiento y uso del elevador para pacientes Oxford es sencillo y fácil de comprender. Siguiendo estas precauciones básicas de seguridad, las operaciones de elevación serán fáciles y estarán libres de problemas.

LEA Y COMPRENDA EL MANUAL DE INSTRUCCIONES DEL USUARIO ANTES DE UTILIZAR SU ELEVADOR “ASCEND”

ADVERTENCIA: Información de seguridad importante sobre peligros que podrían ocasionar lesiones serias.

PRECAUCIÓN: Información para evitar daños al aparato.

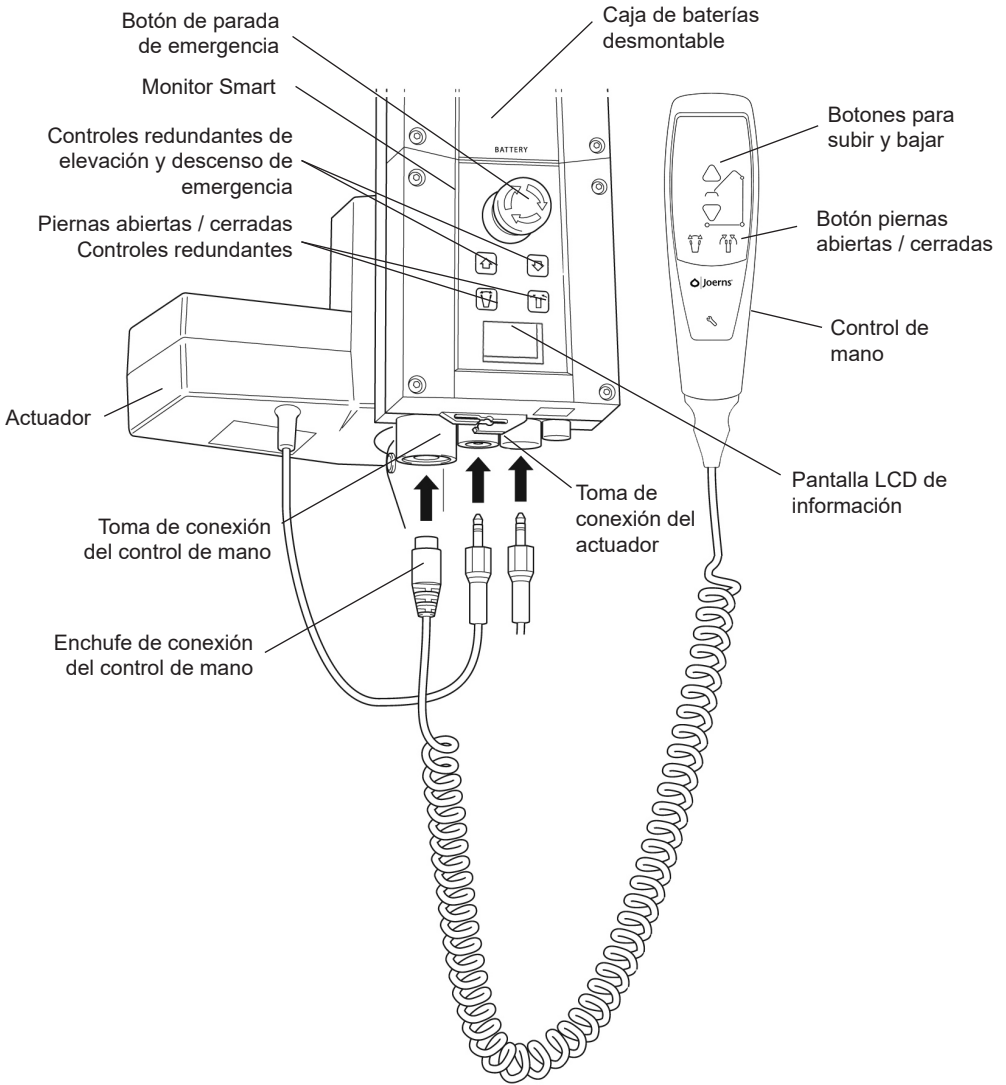
NOTA: Información a la cual usted debe prestar atención especial.

ADVERTENCIA

- Solamente personal de salud capacitado y competente debería operar los elevadores de pacientes Oxford.
- Planifique SIEMPRE sus operaciones de elevación antes de comenzar.
- Repase SIEMPRE la LISTA DE COMPROBACIÓN DIARIA antes de utilizar el elevador.
- Familiarícese SIEMPRE con el control de funcionamiento y características de seguridad del elevador antes de levantar al paciente.
- NO utilice una eslinga a no ser que esté recomendada para su uso con el elevador.
- Verifique SIEMPRE que la eslinga es adecuada para el paciente en particular y que su tamaño y capacidad son correctos.
- NUNCA utilice una eslinga que esté deshilachada o dañada.
- Encaje SIEMPRE la eslinga de acuerdo con las instrucciones que se indican (instrucciones del usuario).
- NO supere la carga de trabajo de seguridad.
- Compruebe SIEMPRE que la carga de trabajo de seguridad del elevador es adecuada para el peso del paciente.
- Lleve SIEMPRE a cabo las operaciones de elevación de acuerdo con las instrucciones en el manual del usuario.
- NUNCA desconecte o deje de realizar un control de seguridad o característica de seguridad porque parezca más fácil para el funcionamiento del elevador.
- NO levante a un paciente con los frenos de las ruedas activados. Deje siempre que el elevador encuentre el centro correcto de gravedad.

- NO intente maniobrar el elevador empujando el mástil, el larguero o al paciente.
- Maniobre SIEMPRE el elevador con el mango / almohadillado de empuje para pies proporcionado.
- Haga SIEMPRE descender al paciente a la posición cómoda más baja posible antes de transferirlo.
- NO empuje un elevador cargado a velocidades que superen un ritmo de caminar lento (3 kilómetros/hora, 0,8 metros/segundo).
- NO empuje el elevador sobre terrenos desnivelados o con baches. Especialmente, si está cargado.
- NO intente empujar o tirar de un elevador cargado sobre una obstrucción en el suelo.
- NUNCA fuerce los controles de funcionamiento/seguridad. Todos los controles son fáciles de utilizar y no requieren el uso de fuerza excesiva.
- La carga MÍNIMA necesaria para bajar el elevador de manera manual utilizando la función mecánica de descenso de emergencia equivale a 30 kg.
- NO aparque un elevador cargado sobre NINGUNA superficie en cuesta.
- NO utilice elevadores eléctricos en una ducha.
- NO cargue un elevador eléctrico en un baño o en una ducha.
- NO levante a un paciente a no ser que esté entrenado y sea competente para hacerlo.
- SU elevador está destinado a levantar pacientes. NO lo utilice, ni permita que se utilice, para cualquier otro fin.
- NO lleve el elevador dando tumbos hacia abajo en escaleras, tanto si está cargado como si está descargado.
- NO intente pasar con un elevador cargado por una pendiente que supere 1:12 (aproximadamente 5 grados).
- NO intente pasar con el elevador por una pendiente sin que haya alguien para ayudarlo.
- NO lo utilice en un ambiente húmedo o corrosivo, como por ejemplo al lado de una piscina.

7. Monitor Smart y control de mano



Uso destinado

El monitor inteligente, Oxford Smart Monitor, es un sistema de control para los elevadores Oxford Mobile. El monitor inteligente almacena información útil sobre el mantenimiento del elevador disponible para consultar cuando sea necesario. Esta información sobre el mantenimiento incluye:

- Cantidad de ciclos de elevaciones de pacientes
- Total de trabajo ejecutado por el actuador
- Cantidad de sobrecargas de elevación (intentos de elevación por encima de la carga de trabajo máxima permitida)
- Cantidad de días desde el último intervalo de mantenimiento

El monitor Smart Oxford incorpora un microprocesador que permite leer los datos de mantenimiento a través de la pantalla LCD integrada.

Características

- Recopilación de datos en el panel de control con datos visualizados en la pantalla LCD
- Contador de trabajo
- Contador de ciclos inteligente
- Indicador de tareas de mantenimiento
- Indicador de frecuencia de mantenimiento
- Información de sobrecarga
- Indicador de nivel de carga de las baterías de tres pasos


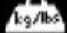

Beneficios

- Mayor seguridad tanto para el paciente como para el proveedor de cuidados
- Datos de mantenimiento precisos con solo tocar un botón
- Vida útil del producto optimizada
- Facilidad para realizar tareas de mantenimiento tanto para ingenieros como para los técnicos

Pantalla LCD

El monitor Smart Oxford incorpora un microprocesador que permite emitir la lectura de los datos de mantenimiento a través de la pantalla LCD integrada. Es posible emitir la lectura de los totales de los ciclos de elevación, los totales de trabajos realizados, de sobrecargas y la cantidad de días desde el último mantenimiento, datos que pueden utilizarse para evaluar el estado de el actuador de elevación de manera fácil y rápida.

Puede acceder a esta información pulsando durante medio segundo el botón "UP" (ARRIBA) del control de mano del usuario o el botón redundante "UP" (ARRIBA) del Monitor inteligente.

	12034	— Total de ciclos de elevación
A·S	1257000	— Total de trabajo ejecutado (Amps * Segundos)
	7	— Cantidad de sobrecargas
	90/180	— Cantidad de días (desde el último mantenimiento) / Cantidad de días (entre mantenimientos)

Información sobre mantenimiento y uso



Cuando es momento de realizar el mantenimiento, aparecerá en la pantalla el símbolo correspondiente al mantenimiento. Además, cuando está activado el control de mano del usuario, el monitor inteligente emitirá una señal sonora para avisar al usuario que se necesita una operación de mantenimiento.

El símbolo de mantenimiento aparecerá cada vez que pulse las teclas hacia arriba o abajo en el control de mano del usuario. Cuando aparezca el símbolo de mantenimiento, póngase en contacto de inmediato con su agente de servicio autorizado para organizar el mantenimiento.

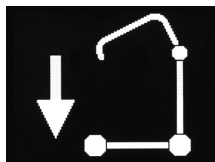


Si el elevador se detiene debido a una sobrecarga (si intenta levantar más peso de la carga máxima segura) aparecerá el símbolo de sobrecarga en la pantalla LCD y el elevador dejará de funcionar hasta que haya eliminado la carga adicional (por encima de la carga máxima segura).

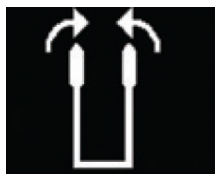
ADVERTENCIA

Si la pantalla LCD del monitor inteligente hubiese registrado una sobrecarga, Joerns Healthcare recomienda que **TODAS** las tareas diarias de control se lleven a cabo en el elevador antes de su utilización (para obtener una lista de controles diarios, consulte el manual de usuario del elevador). Joerns Healthcare también recomienda que se ponga en contacto con su agente autorizado de servicios Oxford para obtener más orientación.

Controles redundantes integrados



Los controles redundantes integrados permiten que el elevador suba o baje en caso de emergencia.



Si su sistema de elevación incorpora tecnología de posicionamiento de piernas eléctrico, hay controles redundantes tanto para abrir como para cerrar las piernas.

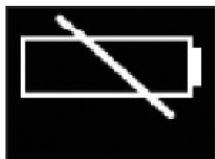
Información sobre la batería



Si aparece el icono de la batería completa, significa que la batería está completamente cargada y lista para usar.



Si aparece el icono de la batería a la mitad, significa que necesita cargar la batería.



Si aparece el icono de la batería vacía, significa que la batería carece de capacidad y debe cargarla de inmediato.

⚠ ADVERTENCIA

A fin de evitar posibles daños permanentes en la batería, debe colocar la batería a cargar en cuanto la pantalla indique el símbolo de la batería a la mitad.

8. Instrucciones de Funcionamiento

ADVERTENCIA

Solamente personal de salud capacitado y competente debería operar los elevadores de pacientes Oxford.

1. Ajuste de las patas

Las patas del Oxford Ascend son ajustables eléctricamente en cuanto a su anchura. Las patas pueden abrirse para permitir el acceso alrededor de sillas o de sillas de ruedas. Para transferir y para pasar por pasillos estrechos, las patas del elevador deben estar en posición cerrada.

Ajuste eléctrico de las patas - se consigue pulsando los botones apropiados en el control de mano. Las patas se bloquearán cuando se suelte el conmutador del control de mano.

2. Ruedas y frenos

El elevador tiene dos ruedas con frenos, que se pueden aplicar para dejarlo aparcado. Cuando se realice la elevación, las ruedas deben dejarse libres y los frenos sin aplicar. De esta forma, el elevador podrá mover el centro de gravedad conforme se realiza la elevación. Si se aplican los frenos, será el paciente el que se mueva hacia el centro de gravedad y esto puede ser desconcertante e incómodo.

3. Elevación y descenso del larguero

El movimiento del larguero se consigue mediante un potente actuador eléctrico, que está controlado por un sencillo control de mano. El control de mano tiene dos botones, con flechas direccionales ARRIBA y ABAJO. El actuador se detiene automáticamente en el límite del desplazamiento en ambas direcciones. El control de mano se enchufa en un enchufe en la base del cuadro de control.

4. Parara de emergencia

El botón de parada de emergencia rojo está situado en la parte delantera del cuadro de control y se activa pulsándolo. Al pulsarlo se interrumpe la alimentación eléctrica al elevador y sólo se puede desarmar girando el botón en sentido contrario a las agujas del reloj y soltándolo.

5. Controles redundantes

Todos los elevadores Oxford están equipados con botones de elevación y descenso en el panel de control. Estos están ubicados debajo del botón de parada de emergencia y se pueden utilizar para bajar o subir al paciente si se produjese un fallo en el control de mano.

6. Descenso mecánico de emergencia

En el caso de fallo total del suministro eléctrico, el actuador eléctrico dispone de un dispositivo de descenso mecánico (CUBO ROJO). Esta característica sólo funcionará cuando el elevador tenga carga. Hay que tirar del dispositivo hacia arriba para activarlo y comenzará un lento descenso.

Nota: La carga MÍNIMA necesaria para bajar el elevador de manera manual utilizando la función mecánica de descenso de emergencia equivale a 30 kg.

7. Baterías

Las baterías están protegidas ante descargas fuertes por una ALARMA DE VOLTAJE BAJO. Esta alarma emitirá un sonido cuando las baterías necesiten recargarse y se esté manejando el control de mano. No sonará si el control de mano no se está manejando. **NO IGNORE ESTA ALARMA DE ADVERTENCIA.** Complete la operación de elevación y ponga la batería a cargar (vea las instrucciones de carga). El nivel de carga de la batería se visualiza en el indicador en el cuadro de control.

PRECAUCION

La batería, el cargador, el control de mano, el cuadro de control y el actuador sólo deben ser abiertos por personal autorizado. (Comuníquese con su distribuidor para obtener información sobre garantía y reparaciones).

8. Eslingas

El Oxford Ascend es adecuado para pacientes en las siguientes posiciones: SENTADO. Las eslingas adecuadas para este dispositivo son las siguientes:

- Oxford Transport
- Oxford Standing

9. Ajuste del almohadillado para las rodillas

El Ascend tiene un almohadillado ajustable para las rodillas. El rango de desplazamiento es de 6 pulgadas (14,7 centímetros). El ajuste se consigue aflojando el botón situado en el lateral izquierdo del almohadillado, para aflojar el conjunto lo suficiente como para mover el almohadillado para las rodillas a la posición superior o inferior.

10. Plataforma desmontable para los pies

El Ascend tiene una plataforma para los pies. Para extraer la plataforma para los pies, póngase en la parte delantera del equipo y levante la plataforma para los pies desde la parte central del conjunto.

NOTA Tenga cuidado al levantar la plataforma para los pies desde la posición de sentado baja.

9. Instrucciones para la carga

Las baterías están situadas en la unidad de alimentación y se cargan por medio de un cargador de sobremesa. Cuando haya que cargar la unidad de alimentación, habrá que extraerla del elevador y colocarla en el cargador de sobremesa.

Joerns Healthcare Ltd recomienda comprar una unidad adicional de batería, para tener una de las dos unidades cargada en todo momento.

1. Extraiga la unidad de alimentación del elevador. La unidad de está sujeta con un pestillo simple en la parte superior de la unidad de alimentación. Levante el pestillo y la unidad de alimentación quedará suelta.
2. Coloque la unidad de alimentación en el cargador. La colocación y sujeción de la unidad de alimentación al cargador se realiza por el mismo sistema que el empleado en el elevador.
3. Enchufe el cable del cargador a una fuente de alimentación eléctrica y ponga el conmutador en ON.
4. La carga es automática y las baterías quedarán completamente cargadas en un plazo de ocho a doce horas.

Nota: Incluso si el cargador se deja enchufado durante mucho tiempo, no permitirá que las baterías se carguen en exceso.

- a) La luz verde indica el paso de corriente eléctrica.
- b) La luz amarilla indica que la batería se está cargando.
- c) Cuando la luz amarilla se apaga, la batería se habrá cargado por completo.

Nota: La carga puede tomar hasta cuatro horas en completarse. Recomendamos cargar la batería en cuanto la reciba.

5. Para volver a poner en funcionamiento el elevador, desconecte de la red poniendo el conmutador en OFF y retire la unidad de alimentación del cargador. Coloque la unidad de alimentación de nuevo en el elevador y asegúrese de que el pestillo que la sujeta está completamente cerrado. Cuando esté correctamente colocada, oír un "clic". La carga del elevador eléctrico Hoyer es sencilla y no tienen por qué surgir complicaciones, pero es importante seguir rigurosamente las instrucciones de carga. Preste especial atención a los siguientes aspectos; le ayudará a evitar los problemas que supone la descarga de las baterías.

ADVERTENCIA

- **La batería, el cargador, el control de mano y la caja de control NO deben ser abiertos por personal no autorizado. (Comuníquese con el distribuidor por reparaciones y reclamos de la garantía).**
- **NO toque las terminales de la batería ni el cargador.**
- **MANTENGA las baterías completamente cargadas. Ponga la batería a cargar siempre que no esté utilizando el dispositivo. Si le resultase más práctico, póngala a cargar durante la noche. El cargador no permitirá que las baterías se sobrecarguen.**

- **NUNCA** permita que las baterías se gasten por completo. No bien suene la alarma de advertencia, complete la operación de elevación y ponga a cargar la batería.
- A fin de evitar posibles daños permanentes en la batería, debe colocar la batería a cargar en cuanto la pantalla indique el símbolo de la batería a la mitad.
- **NUNCA** almacene la batería durante largos períodos de tiempo sin realizar cargas periódicas durante el período de desuso.
- **SIEMPRE** compruebe que la toma del cargador a la red de suministro eléctrico esté apagada antes de conectar o desconectar la batería.
- **NUNCA** deje la batería conectada con la toma del cargador a la red de suministro eléctrico apagada.
- **NO** deje el cargador encendido con la batería desconectada.
- **NO** use el elevador mientras carga la batería.
- **COMPRUEBE** que el elevador no se esté cargando antes de desplazarlo, ya que podría dañar la conexión eléctrica.
- **NUNCA** desconecte la toma del cargador tirando del cable.
- **PROCURE** no tropezar con el cable del cargador.
- **NO** cargue el elevador eléctrico en el cuarto de baño.

10. Plan de mantenimiento y lista de comprobación diaria

Todos los productos Oxford requieren un mantenimiento mínimo; sin embargo, es necesario llevar a cabo algunas comprobaciones y procedimientos de seguridad. A continuación se indica un plan de tareas DIARIAS. Realizar comprobaciones diarias y mantenimiento, inspección y prueba cada seis meses asegurará que el elevador se mantiene en condiciones óptimas de funcionamiento. Si lo pide, le enviaremos una lista de piezas de repuesto.

La PRUEBA DE CARGA y la certificación sólo deben llevarse a cabo por personal cualificado o por un agente / concesionario de servicio autorizado.

LISTA DE COMPROBACIÓN DIARIA: Joerns Healthcare recomienda encarecidamente realizar las siguientes comprobaciones de manera diaria y antes de utilizar el elevador.

- ASEGÚRESE de que las ruedas del elevador se mueven con normalidad.
- EXAMINE la barra de extensión (cuernos de vaca) para comprobar que está firmemente sujeta al larguero.
- COMPRUEBE que los amarres y ganchos del arnés del soporte de seis puntos no presentan daños ni signos de desgaste excesivo.
- COMPRUEBE que las patas abren y cierran correctamente y pueden quedar trabados con seguridad en todas las posiciones abiertas y cerradas.
- ACCIONE el control de mano para comprobar que el brazo sube y baja de manera correcta.
- ASEGÚRESE de que el panel de visualización de del control NO PRESENTE un símbolo de llave encendido ni se oiga una señal al pulsar los botones de subir y bajar.
- Compruebe el buen funcionamiento del botón de parada de emergencia.
- EXAMINE los arneses para determinar si se ha producido un desgaste excesivo. NO utilice los arneses si detecta signos de daños o desgaste.
- CONFIRME que no suene la alarma de baja batería del elevador cuando acciona el control de mano. Si sonase la alarma, NO use el dispositivo y ponga a cargar las baterías.
- ASEGÚRESE de que los puntos de conexión del actuador estén seguros.
- Realice una INSPECCIÓN VISUAL de todas las piezas de fijación y anclaje y asegúrese de que todas ellas están instaladas de forma segura antes de su uso.

Mantenimiento, Inspección Y Prueba

Joerns Healthcare recomienda realizar inspecciones y comprobaciones completas y periódicas del elevador Oxford Ascend, los accesorios de elevación, las eslingas, balanzas, etc. La frecuencia de la verificación varía de acuerdo con la localidad; compruebe con su distribuidor local o entidad gubernamental, según corresponda, en lo referente a la frecuencia de verificación estipulada. Todas las verificaciones y pruebas deben llevarse a cabo según las recomendaciones y procedimientos explicados en el presente manual. Joerns Healthcare recomienda que el mantenimiento, inspección y comprobación certificada los lleve a cabo un agente o proveedor de mantenimiento autorizado.

Nota: Estas recomendaciones se dan en cumplimiento de los requisitos de Salud y Seguridad N° 2307 de 1998: Normas relativas a Operaciones de Elevación y Equipo de Elevación de 1998. Esta norma es del Reino Unido. Fuera del Reino Unido, revise los requisitos aplicables a su país.

Limpieza

Limpie con jabón corriente y agua, y/o con cualquier desinfectante para superficies duras. Deben evitarse limpiadores químicos o abrasivos, ya que pueden dañar el acabado de la superficie del elevador. No moje ninguna pieza eléctrica. Después de la limpieza, la unidad debe secarse completamente.

Eliminación al final de la vida útil

Batería: Todas las baterías del producto y los accesorios que lo acompañan deben reciclarse por separado. Las baterías deben desecharse de acuerdo con las normas o reglamentos locales o nacionales.

Arneses: Los arneses y accesorios de material asociados deben clasificarse como residuos combustibles de acuerdo con las normativas locales o nacionales.

***ESTAS COMPROBACIONES DEBEN INCLUIR:**

	Inicial-mente	Antes del uso	Intervalos de servicio
1. BRAZO PRINCIPAL: Compruebe la sujeción del brazo principal al mástil. Asegúrese de que sólo exista un mínimo movimiento lateral del brazo principal y de que el brazo principal esté libre para girar en su rodamiento.	✓	✓	✓
2. PUNTOS DE SUJECIÓN DE ESLINGA: Compruebe que los ganchos y los broches de sujeción de la eslinga en la barra extensora y brazo principal no presenten signos de desgaste.	✓	✓	✓
3. MÁSTIL: Verifique el funcionamiento del dispositivo de bloqueo del mástil. Asegúrese de que el mástil encaja completamente en el alojamiento.	✓	✓	✓
4. ACTUADOR: El actuador no requiere más mantenimiento que comprobar que funciona correctamente y escuchar si hay ruidos inusuales.			✓
5. ALMOHADILLADO PARA RODILLAS: Compruebe que la correa del almohadillado para rodillas esté ajustada correctamente.	✓	✓	
6. MONITOR SMART: Compruebe el buen funcionamiento del botón de parada de emergencia. Compruebe que la toma del control de mano esté en perfecto estado. Verifique que el control de mano funciona correctamente. Verifique los controles redundantes y confirme que funcionan correctamente. Nota: La carga MÍNIMA necesaria para bajar el elevador de manera manual mecánica de descenso de emergencia equivale a 30 kg.	✓	✓	✓
7. BATERÍAS: Las baterías están alojadas en la unidad de alimentación eléctrica y no requieren ningún mantenimiento excepto su carga regular tal y como se detalla en las instrucciones de carga. Compruebe que las conexiones están limpias.			✓
8. BATERÍAS (Carga): Confirme que el elevador no emite una alarma de baja carga de baterías cuando hace funcionar el control de mano. Si suena la alarma, no utilice el elevador y ponga a cargar la batería inmediatamente.	✓	✓	
9. AJUSTE DE LAS PATAS: Compruebe que las patas funcionan en toda su extensión (hacia dentro / hacia fuera).	✓	✓	✓
10. RUEDAS: Compruebe que todas las ruedas están firmemente sujetas a las patas. Verifique la libre rotación de las ruedas y de sus pivotes.	✓	✓	✓
11. LIMPIEZA: Limpie con jabón corriente y agua, y/o con cualquier desinfectante para superficies duras. Deben evitarse limpiadores químicos o abrasivos, ya que pueden dañar el acabado de la superficie del elevador. No moje ninguna pieza eléctrica. Después de la limpieza, la unidad debe secarse completamente.		✓	✓
12. PRUEBA DE CARGA: La prueba de carga debe realizarse de acuerdo con los procedimientos de prueba del fabricante. Se recomienda encarecidamente realizar la prueba por un servicio técnico autorizado.			✓

	Inicial-mente	Antes del uso	Intervalos de servicio
13. BASE Y RUEDAS: Asegúrese de que la base está uniforme y nivelada (las cuatro ruedas en contacto con el suelo).	✓	✓	✓
14. ESLINGAS: Vea si están desgastadas o deshilachadas.	✓	✓	✓
15. LUBRICACIÓN: Lubrique las bisagras de pivote con aceite de silicona, incluyendo las conexiones del brazo principal, las piezas de los pedales, la bisagra de la barra extensora (hágalo sólo si es necesario).			✓
16. Conjunto de mano: Asegúrese de que está bien enchufado al controlador.	✓	✓	

11. Especificaciones técnicas

Carga de trabajo segura	440 lbs	200 kg
Longitud total máxima	43.3 pulgadas	1100 mm
Longitud total mínima	40.8 pulgadas	1035 mm
Altura total máxima.....	66.5 pulgadas	1690 mm
Altura total mínima	48.4 pulgadas	1230 mm
Altura máxima de la barra de extensión	64.7 pulgadas	1644 mm
Altura mínima de la barra de extensión	37 pulgadas	940 mm
Radio de giro.....	51.9 pulgadas	1320 mm
Patatas abiertas - Anchura externa	39.1 pulgadas	995 mm
Patatas abiertas - Anchura interna.....	34.8 pulgadas	885 mm
Patatas cerradas - Anchura externa	24.8 pulgadas	630 mm
Patatas cerradas - Anchura interna	20.0 pulgadas	510 mm
El punto más ancho (entre las manijas de la ayuda).....	28.9 pulgadas	735 mm
Altura total de las patas.....	4.7 pulgadas	120 mm
Distancia al suelo	1.4 pulgadas	35 mm
Par de ruedas delanteras.....	4.0 pulgadas	100 mm
Ruedas traseras con freno.....	4.0 pulgadas	100 mm

Pesos

Mástil, base y conjunto de larguero	97 lbs	44.0 kg
Unidad de alimentación.....	6.6 lbs	3 kg
Total.....	103.6 lbs	47.0 kg
Conjunto de la base (sin incluir batería)	42.9 lbs	19.5 kg
Mástil y larguero (sin incluir batería)	45.1 lbs	20.5 kg

NOTA: Para todas las dimensiones se aplican tolerancias de fabricación.

Especificaciones Eléctricas

BATERÍAS.....	Selladas y recargables de plomo-ácido de 24 voltios
CAPACIDAD DE BATERÍAS.....	3.2 Ah
ENTRADA MEDIDA DEL CARGADOR	100 - 240 V CA// 24 V CC 50/60 Hz Máx.
SALIDA MEDIDA DEL CARGADOR.....	29,5 V CC, Máx. 19 W

Protección contra descarga eléctrica

CARGADOR.....	CLASE II
GRUA	FUENTE DE ENERGÍA INTERNA

Grado de protección contra descarga eléctrica

CARGADOR.....	TIPO B
GRUA	TIPO B

Condiciones Ambientales

Al aire libre, la funcionalidad y seguridad especificadas pueden verse comprometidas.

Funcionamiento:

Temperatura	5 °C a 35 °C
Humedad relativa	20% a 90% a 30 °C - no condensada
Presión atmosférica.....	700 a 1060 hPa

Storage:

Temperatura	5°C a +50°C
Humedad relativa	20% a 90% a 30 °C - no condensada
Presión atmosférica.....	700 a 1060 hPa

CLASIFICACIONES IP

Caja de control	IPX4
Actuador	IPX4
Cargador externo	IPX5
Batería	IPX5
Control de mano	IPX5

CICLO DE SERVICIO

Actuador.....	10% (2 min./18 min.)
Cargador	Aprox. 4 hrs.

ACÚSTICA

Nivel de potencia de sonido (escala ponderación A)	55.6 dB (A)
--	-------------

EXPLICACIÓN DE LOS SÍMBOLOS:

Los signos enunciados a continuación se utilizan en el cargador, la unidad de control y la batería:



Este producto es un Dispositivo Médico de acuerdo con la Ordenanza de Dispositivos Médicos de la UE 2017/745.



Equipo de tipo B, según EN 60601-1



Equipo de clase



La batería no debe desecharse junto con los residuos domésticos. Las baterías deben desecharse de acuerdo con las normas o reglamentos locales o nacionales.



Las piezas de electrónica no deben desecharse junto con los residuos domésticos



Para uso en interiores solamente



ATENCIÓN: consulte los documentos adjuntos



Consulte las instrucciones del usuario antes de usar (Fondo azul).



Marca de certificación que indica la conformidad con los requisitos aplicables a los productos vendidos en Gran Bretaña.



Punto de contacto entre el fabricante de productos sanitarios no europeos, las autoridades nacionales competentes (Ministerio de Sanidad) y los organismos notificados.



Una identificación única para el producto destinada a proporcionar una identificación positiva única y armonizada a nivel mundial para todos los productos sanitarios a través de su distribución y uso.



Indica la entidad que importa el producto sanitario a la localidad.

WEEE Producers - Número de registro: WEE/GG0464RZ

12. Garantía

Joerns Healthcare cuenta con una red establecida de distribuidores autorizados y agentes técnicos que estarán gustosos de responder a todas sus inquietudes respecto a la adquisición, garantía, reparación y mantenimiento de los productos. Se recomienda que un distribuidor autorizado o agente técnico encarguen nuestros productos.

El distribuidor o representante opera el Programa de la garantía; de manera que es importante conservar el nombre, dirección y teléfono para poder establecer contacto en caso de que surja algún problema. Si tiene dudas acerca del lugar de compra del elevador, Joerns Healthcare puede ubicar al proveedor si usted cita el número de serie del producto.

Todas las reclamaciones respecto de la garantía están sujetas a la correcta utilización y mantenimiento del producto, de acuerdo con el manual de instrucciones suministrado con cada elevador. La garantía pierde validez ante cualquier daño causado por el uso en condiciones ambientales inadecuadas o por falta de mantenimiento del producto según las instrucciones de mantenimiento para el usuario. Sus derechos legales no se verán afectados.

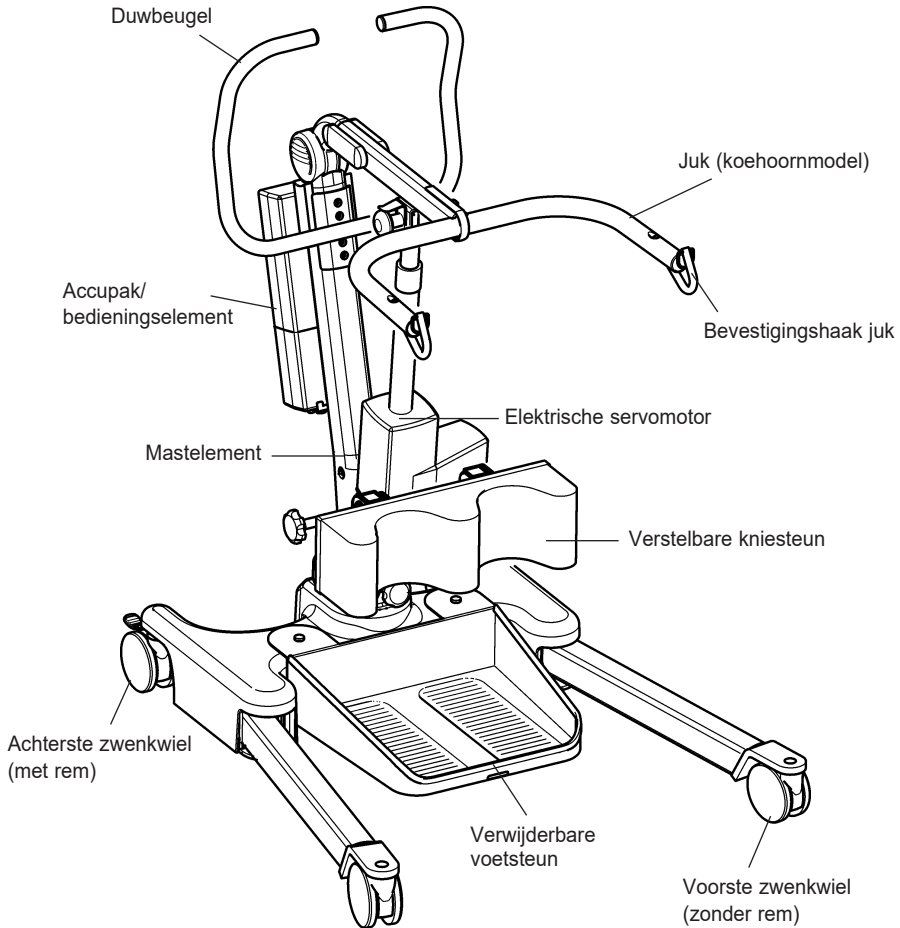
RECUERDE: Póngase en contacto con su distribuidor autorizado o agente técnico por adquisiciones, reparaciones, servicio y mantenimiento certificados.

Su distribuidor:

Inhoudsopgave

1. Oxford Ascend patiëntentillift.....	107
2. Inleiding: Over uw tillift	108
3. Instructies voor montage en inbedrijfstelling.....	109
4. Tilbandhandleiding	113
5. Tillen met de Oxford Ascend.....	114
6. Veiligheidsmaatregelen	115
7. Smart Monitor and Handset	117
8. Bedieningsinstructies.....	121
9. Oplaadinstructies.....	123
10. Onderhoudsschema & dagelijkse controlelijst.....	125
11. Technische specificaties.....	128
12. Garantie.....	131

1. De Oxford Ascend Patiëntentilift



2. Inleiding: Over Uw Tillift

De Oxford Ascend is een elektrische patiëntentillift. Elke Ascend tillift wordt volledig gemonteerd, onderworpen aan een belastingstest en gecertificeerd voordat hij verpakt en verscheept wordt. De verpakking bestaat uit een sterke, speciaal ontworpen doos die voor zowel de externe als de interne markt wordt gebruikt om zeker te zijn van een behouden aankomst van de lift. Bij iedere tillift wordt een aantal documenten in een map geleverd en deze moeten op een veilige plaats worden opgeborgen zodat zij in de toekomst eventueel geraadpleegd kunnen worden:

- TESTCERTIFICAAT
- GEBRUIKERSHANDLEIDING
- PACKPRÜFLISTE

Het TESTCERTIFICAAT is een belangrijk document en is vereist voor uw verzekeringsgegevens. Het is zes maanden lang geldig en nadat het verlopen is moet de tillift volgens het onderhouds schema geïnspecteerd worden.

Onderhoudsbeurten en periodieke tests kunnen door uw geautoriseerde leverancier uitgevoerd worden. Zorg er a.u.b. voor dat uw tillift in zijn onderhoudsschema opgenomen is. Als u er niet zeker van bent wat de onderhoudsvereisten zijn in uw land, controleer dit dan a.u.b. met uw dealer en/of uw plaatselijke overheidsinstelling.

WAARSCHUWING

Voorafgaand aan het dagelijkse gebruik van uw lift moeten de controles worden uitgevoerd zoals vermeld in de checklist in deze handleiding.

Het **CE-merk**: De Oxford Ascend heeft het CE-merk en voldoet aan de volgende EU-richtlijnen:



- Richtlijn Medische Hulpmiddelen 2017/745
- Richtlijn EMC 2014/30/EU
- Laagspanningsrichtlijn 2014/35/EU

Verklaring van bedoeld gebruik

Deze lift is bedoeld om personen veilig vanaf de ene zit- of ligplaats op te tillen en naar een andere zit- of ligplaats over te brengen. (Bijvoorbeeld van een bed naar een rolstoel.) Joerns Healthcare adviseert voorafgaand aan de transfer van een cliënt een volledige risicobeoordeling uit te voeren en de cliënt uitsluitend veilig over een korte afstand over te brengen.

De Oxford Ascend is geschikt voor de volgende CATEGORIEËN tilliften binnen de grenzen van de werkingsparameters van de tilliften zoals beschreven in de TECHNISCHE SPECIFICATIES.

De Oxford Ascend is ontworpen ter ondersteuning en bevordering van een voor de patiënt én zorgverlener veilige omgang en transfer.

De Oxford Ascend sta-hulp is ontworpen om te worden gebruikt in combinatie met de Oxford tilbanden. Voorbeelden van tilbanden die geschikt zijn voor deze liften zijn:

- Oxford Standing Sling
- Oxford Transport Sling

WAARSCHUWING

De Oxford patiëntentilliften mogen uitsluitend worden bediend door volledig opgeleide/competente verzorgers.

Verwachte levensduur

De tilliften van Oxford voor professioneel gebruik zijn ontworpen en getest voor een minimale levensduur van tien (10) jaar, afhankelijk van het gebruik en de onderhoudsprocedures zoals in de handleiding worden vermeld. Wanneer het product niet volgens deze instructies wordt gebruikt, kan dit een nadelig effect hebben op de levensduur van het product.

Melden van ernstige incidenten

Wanneer tijdens gebruik van dit product een ernstig incident heeft plaatsgevonden, waarbij de patiënt en/of zorgverlener betrokken was/waren, moet dit aan de fabrikant van het product of de erkende distributeur worden gemeld. Indien dit incident heeft plaatsgevonden binnen de Europese Unie (EU), moet het ook aan de bevoegde autoriteit binnen de lidstaat worden gemeld.

3. Instructies Voor Montage en Inbedrijfstelling

Inhoud Van De Doos

Plaats de doos in een vrije werkruimte en maak hem voorzichtig open. De doos bevat:

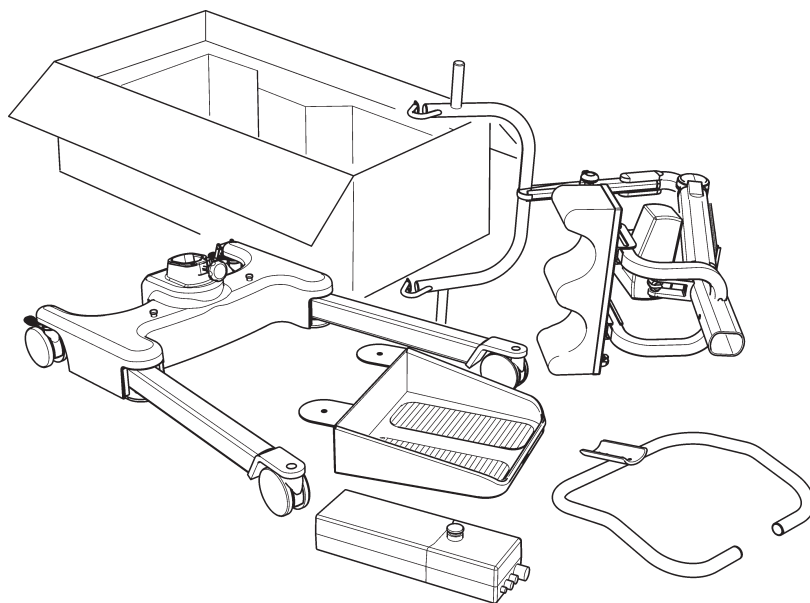
- OXFORD ASCEND TILLIFT
- MAP MET DOCUMENTEN
- HANDBEDIENING
- ACCUPAK
- OPLAADKABEL
- BUREAU-OPLADER/HOUDER

⚠ WAARSCHUWING

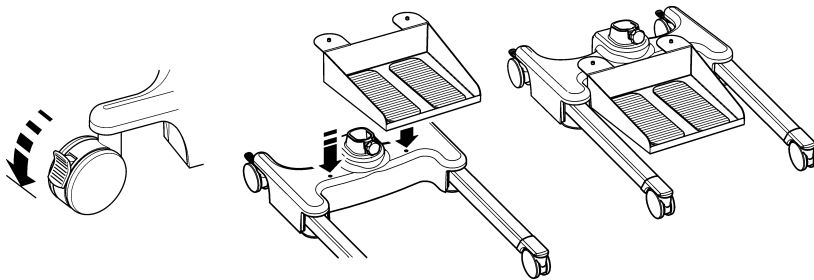
De Oxford Ascend is zwaar en moet voorzichtig opgetild worden. U heeft waarschijnlijk hulp nodig om de Oxford Ascend uit de doos te tillen.

Montage

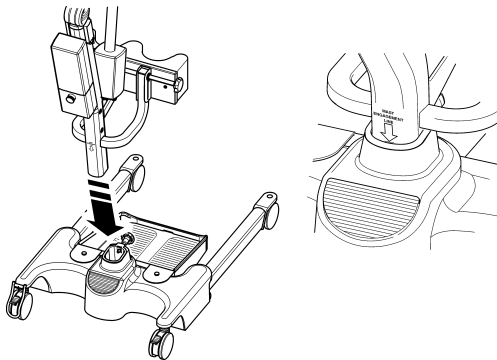
Verwijder alle onderdelen uit de doos en plaats deze op de grond. Let hierbij op dat u de afwerking niet beschadigt.



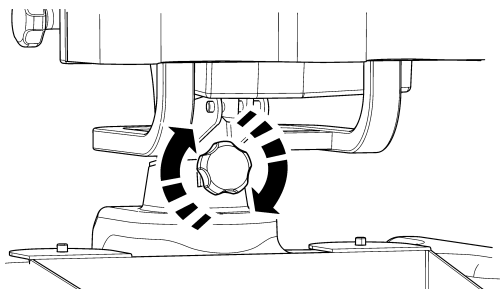
1. Plaats het onderstel in een vrije werkruimte en schakel de wielrem (achter) in. Bevestig de voetsteun aan het onderstel met behulp van de daarvoor bestemde gaten die zich in het voetstuk bevinden.



2. Plaats mast en tilarm (aan elkaar verbonden) in de opening in het onderstel.



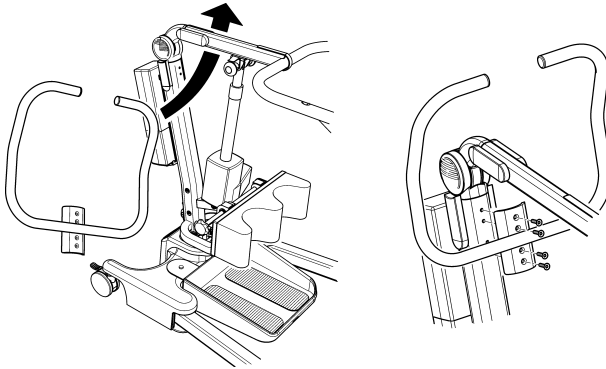
3. Maak de mastcombinatie vast met het mastvergrendelelement, dat zich aan de voorkant van het onderstel bevindt.



⚠ WAARSCHUWING

Voorkom dat uw vingers bekneld raken. Houd uw vingers uit de buurt van het einde van de mast aaneeer u deze in de onderstelopening laat zakken. Aan de zijkant van de mast wordt op een label aangegeven hoe de mast volledig aangekoppeld moet worden. De elektrische werking van het onderstel werkt niet wanneer de mast niet volledig aangekoppeld is.

4. Draai de vergrendelknop totdat deze handvast zit.
5. Bevestig de beugel aan de mast met behulp van de geleverde bevestigingsonderdelen. De bevestigingsonderdelen en sleutel die u nodig heeft om de beugel te bevestigen worden bewaard in de map met de gebruikershandleiding.



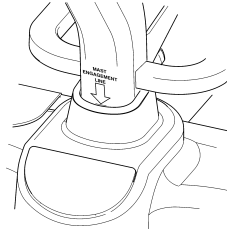
6. Bevestig het accupak aan de tillift en zorg ervoor dat de vergrendeling die de accu op zijn plaats houdt goed vastzit. "Klik" vast.

Demontage

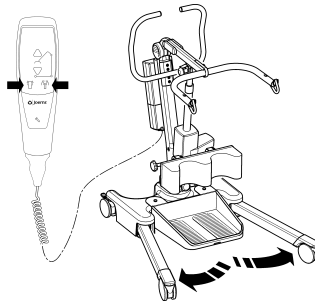
De tillift moet indien nodig alleen gedemonteerd worden voor onderhoud, reparatie of transport. Volg hiervoor de montage-instructies in omgekeerde volgorde.

CONTROLEER ALTIJD HET VOLGENDE VOOR INGEBRUIKNAME

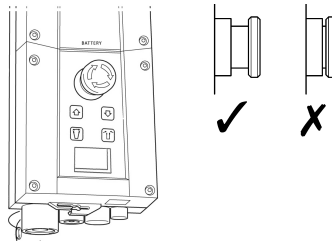
- De mast zit goed vast in de juiste positie.



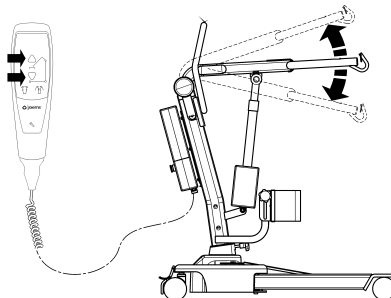
- Het onderstel van de tillift spreidt en sluit correct.



- De rode noodstopknop aan de achterkant van het bedieningspaneel staat in de OFF (uit)-stand.



- Druk op de omhoog- en omlaagknoppen op de handbediening om te controleren of de tilarm omhoog en omlaag beweegt.



4. Tilbandhandleiding

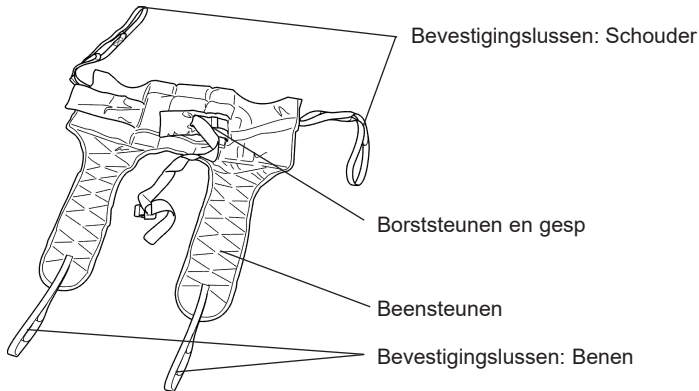
De Oxford Ascend is geschikt voor patiënten in de volgende posities: ZITTEND, ZITTEND/LIGGEND, LIGGEND. De volgende tilbanden zijn geschikt voor gebruik met dit toestel:

- Oxford Transport
- Oxford Standing

Gebruikershandleiding Voor Standaard Tilbanden

De Transport en Standing (Sta-op) tilbanden zijn snelbanden, die geschikt zijn voor opstaan en ondersteuning. Het zijn geen tilbanden voor algemeen gebruik en patiënten moeten door een bevoegd persoon worden onderzocht om te bepalen of zij de tilbanden kunnen gebruiken.

Transport Tilband



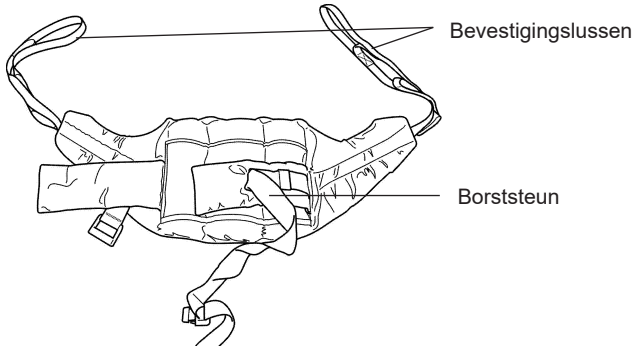
Breng de tilband over de rug van de patiënt aan, waarbij de bovenkant van de uitsparing onderaan de rug van de patiënt komt. Controleer of het rolgedeelte van de tilband dwars op de rug van de patiënt zit.

Bevestig de steunband rond de borst van de patiënt. Deze band hoeft niet strak te zitten. De band is bedoeld om de tilband op zijn plaats te houden terwijl u de lussen aan de Standaard bevestigt. Het is ook mogelijk de band niet te bevestigen als u daar de voorkeur aan geeft. Zorg ervoor dat de armen van de patiënt zich buiten de tilband bevinden.

Til de benen van de patiënt op en haal de beenband onderlangs en tussen de benen door. Zorg ervoor dat de tilband niet onder het dijbeen gedraaid of gevouwen is. Herhaal deze procedure voor het andere been.

Bevestig de lussen op het rolgedeelte van de tilband aan de witte haken aan het einde van de handgrepen. Bevestig de lussen van de beenband aan de zwarte knoppen links en rechts op de liftvork zonder te kruisen. Normaal gesproken gebruikt u alleen de middelste van de drie lussen. De patiënt is nu klaar om uit de stoel getild te worden. Het is meer comfortabel voor de patiënt als u hem terug te laten zakken in de zitstand zodra hij los komt uit de stoel

Standing (Sta-op) Tilband



Breng de tilband over de rug van de patiënt aan tussen de onderkant van de schouderbladen en de onderkant van de ribben. Bevestig de steunbanden aan de voorkant van de patiënt. Deze band hoeft niet strak te zitten. Het is bedoeld om de tilband op zijn plaats te houden terwijl u de tilband aan de Standaid bevestigt. Het is ook mogelijk de band niet te bevestigen als u daar de voorkeur aan geeft. Zorg ervoor dat de armen van de patiënt zich buiten de tilband bevinden.

MERK OP: In de meegeleverde gebruikershandleiding worden gedetailleerde instructies gegeven hoe de sling aangebracht moet worden. Raadpleeg de gebruikershandleiding voor gebruik.

⚠ WAARSCHUWING

Joerns Healthcare adviseert de slings geregeld en voor gebruik te controleren op slijtage of beschadigingen. Gebruik slings die versleten of beschadigd zijn **NIET**.

⚠ WAARSCHUWING

OXFORD ADVISEERT ORIGINELE OXFORD ONDERDELEN TE GEBRUIKEN. De Oxford sling en liftproducten zijn zodanig ontworpen dat ze met elkaar gebruikt kunnen worden. Kijk voor specifieke, landgebonden richtlijnen over het gebruik en compatibiliteit van de sling op het label, of neem contact op met de importeur of Joerns Healthcare.

⚠ WAARSCHUWING

Zie het maximale tilvermogen van de lift. Het maximale vermogen van de lift bepaalt het maximale draagvermogen van de sling.

5. Tillen met de Oxford Ascend

Plaats de Standaid zo, dat de voeten van de patiënt in de voetsteun passen en de knieën tegen de kniesteun rusten. Bevestig in eerste instantie de langere lussen van de tilband aan de grijze haken aan het uiteinde van de handgrepen van de Standaid. De handen van de patiënt moeten op de handgrepen geplaatst worden. (Zodra de patiënt aan de tillift gewend is kunnen de kortere lussen gebruikt worden om een meer rechtopstaande positie te bereiken). Druk hierna op de OMHOOG-knop op de handbediening om de patiënt in de staande positie te brengen.

6. Veiligheidsmaatregelen

Lees en volg a.u.b. de volgende veiligheidsmaatregelen op. Het gebruik van Oxford is gemakkelijk en eenvoudig. Door het opvolgen van deze eenvoudige veiligheidsmaatregelen kunt u gemakkelijk en probleemloos tillen.

LEES EN BEGRIP DE GEBRUIKERSHANDLEIDING VOORDAT U UW “ASCEND” TILLIFT GEBRUIKT

WAARSCHUWING: Belangrijke veiligheidsinformatie met betrekking tot gevaren die ernstig letsel kunnen veroorzaken.

OPGELET: Informatie om schade aan het product te voorkomen.

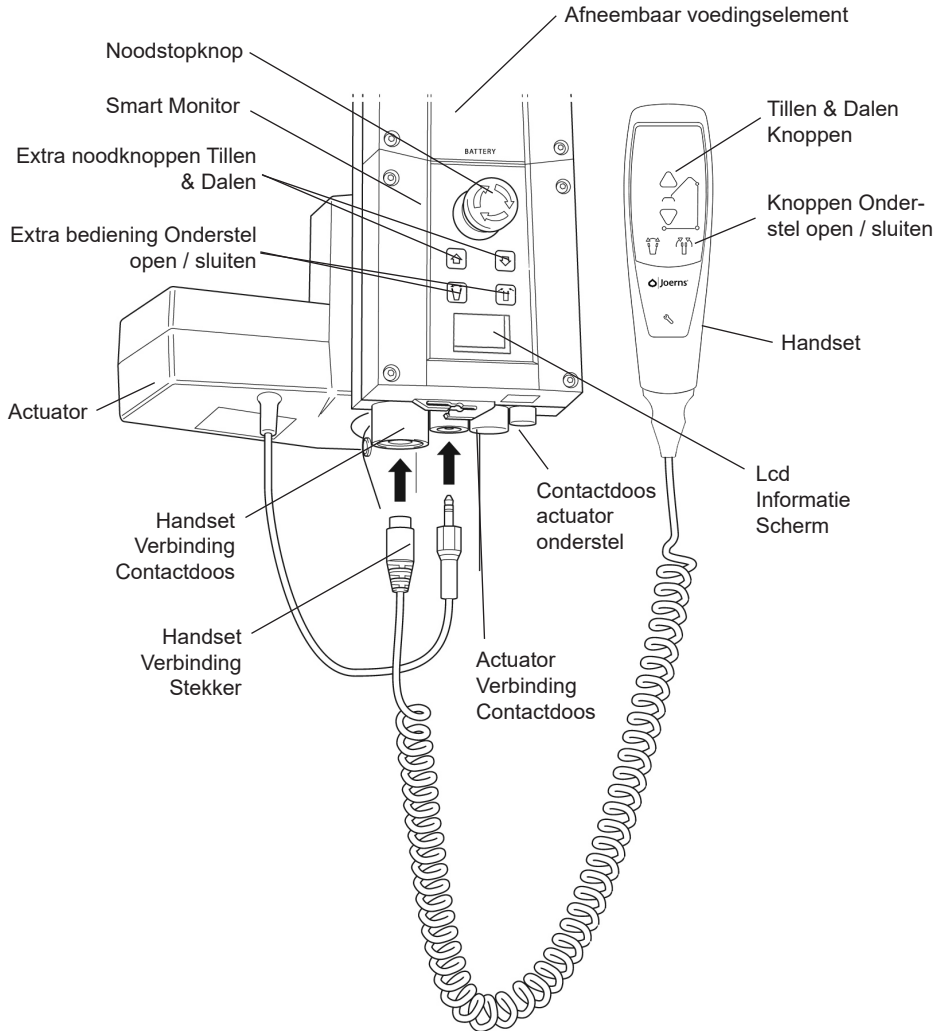
OPMERKING: Informatie die speciale aandacht behoeft.

WAARSCHUWING

- De Oxford patiëntenliften mogen uitsluitend worden bediend door volledig opgeleide/competente verzorgers.
- Plan **ALTIJD** uw tilhandelingen voordat u begint.
- Loop **ALTIJD** de **DAGELIJKSE CONTROLELIJST** na voordat u de tillift gebruikt.
- Raak **ALTIJD** vertrouwd met de bedienings- en veiligheidselementen van een tillift voor dat u een patiënt tilt.
- Gebruik **ALLEEN** tilbanden waarvan het gebruik met de tillift wordt aangeraden.
- Controleer **ALTIJD** of de tilband geschikt is voor de patiënt en of deze de juiste maat en capaciteit heeft.
- Gebruik **NOOIT** een gerafelde of beschadigde tilband.
- Monteer de tilband **ALTIJD** volgens de geleverde instructies (gebruikershandleiding).
- Overschrijdt de maximale tilbelasting **NIET**.
- Controleer **ALTIJD** of de maximale tilbelasting van de tillift geschikt is voor het gewicht van de patiënt.
- Volg voor het uitvoeren van tilhandelingen **ALTIJD** de instructies in de gebruikershandleiding op.
- Ontkoppel of negeer **NOOIT** bedienings- of veiligheidselementen om bediening van de tillift gemakkelijker te maken.
- Til een patiënt **NIET** met de wielrem ingeschakeld. Laat de tillift altijd zelf het juiste zwaartepunt bepalen.
- Probeer de tillift **NIET** te manoeuvreren door de mast, tilarm of patiënt te duwen.

- Manoeuvreeer de tillift **ALTIJD** met behulp van de daarvoor bestemde beugel / voetpedaal.
- Laat de patiënt voordat de transfer begint **ALTIJD** zakken tot in de laagst mogelijke comfortabele positie.
- Duw een beladen tillift **NIET** sneller voort dan met een langzame wandelpas (3 km/u, 0,8 m/s).
- Duw de tillift **NIET** over oneven of ruw terrein, met name wanneer de tillift beladen is.
- Probeer een beladen tillift **NIET** over obstructies op de grond te duwen of trekken.
- Forceer **NOOIT** een bedienings- of veiligheidselement. Alle bedieningselementen zijn gemakkelijk te gebruiken en vereisen geen grote krachtsinspanning.
- Merk op: Het **MINIMALE** gewicht dat nodig is om de lift handmatig naar beneden te brengen via het mechanische noodmechanisme is 30 kg.
- Stal een beladen tillift **NOOIT** op een hellend vlak.
- Gebruik elektrische tilliften **NIET** onder de douche.
- Laadt een elektrische tillift **NIET** op in een badkamer.
- Til patiënten **ALLEEN** wanneer u hiervoor getraind bent en competent bent om dit te doen.
- **UW** tillift is bestemd voor het tillen van patiënten en mag **NIET** voor andere doeleinden gebruikt worden.
- Rol de tillift **NIET** van traptreden of opstapjes af, zowel beladen als onbeladen.
- Probeer een beladen tillift **NIET** te bedienen op een helling die steiler is dan 1:12 (ongeveer 5 graden).
- Probeer de tillift **NIET** zonder assistentie op een helling te navigeren.
- Gebruik de tillift **NIET** in een natte omgeving of plaatsen met bijtende stoffen zoals zwembaden.

7. Smart Monitor & Handset



Bedoeld gebruik:

The Oxford Smart Monitor is een bedieningssysteem voor Oxford mobiele liften. De Smart Monitor slaat nuttige informatie op over de tillift die opgeroepen kan worden wanneer dit nodig is. Deze onderhoudsinformatie omvat:

- Aantal cycli waarbij een patiënt is opgetild
- Arbeidstijd van de actuator
- Aantal malen dat de tillift werd overbelast (poging tot optillen met een gewicht hoger dan de veilige belasting)
- Verstreken tijd sinds de laatste servicebeurt

De Oxford Smart Monitor bevat een microprocessor waarmee het mogelijk is onderhoudsgegevens via het lcd-scherm op de tillift af te lezen.

Kenmerken:

- Gegevensverzameling in de bedieningskast met weergave via het lcd-scherm
- Werkteller
- Intelligente cyclus-teller
- Onderhoudsindicator
- Service-intervalteller
- Informatie betreffende overbelasting
- 3-stapsindicator accu


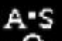


Voordelen:

- Verbeterde veiligheid voor zowel patiënt als verzorger
- Met één druk op de knop nauwkeurige onderhoudsgegevens beschikbaar
- Geoptimaliseerde levensduur van het product
- Gemakkelijk onderhoud voor mecaniciens en onderhoudsmonteurs

Lcd-scherm:

De Oxford Smart Monitor biedt de optie om informatie via het lcd-scherm af te lezen. Het totale aantal tilcycli, de totale hoeveelheid werk, het aantal malen overbelasting en het aantal dagen dat is verstreken sinds de laatste onderhoudsbeurt kunnen worden afgelezen. Hierdoor kan de conditie van de liftactuator snel en gemakkelijk worden beoordeeld.

Door een halve seconde op de 'TIL'-knop op de gebruikershandset te drukken, krijgt men toegang tot deze informatie. Ook kan op de extra 'TIL'-knop op de Smart Monitor worden gedrukt.

	12034	—	Totaal aantal tilcycli
	1257000	—	Totaal uitgevoerd werk (Amps * Secondes)
	7	—	Aantal malen overbelasting
	90/180	—	Aantal dagen (sinds de laatste servicebeurt) / Aantal dagen (tussen servicebeurten) /

Onderhouds- en Gebruiks informatie:



Het servicesymbool verschijnt op het scherm wanneer het tijd is voor een servicebeurt. Als de gebruikershandset is geactiveerd, geeft de Smart Monitor ook een geluidssignaal om de gebruiker opmerkzaam te maken op het feit dat er een servicebeurt nodig is.

Steeds als de toetsen tillen of dalen op de gebruikershandset worden ingedrukt, wordt het servicesymbool weergegeven. Neem direct contact op met uw erkende dienstverlener wanneer het servicesymbool wordt weergegeven.

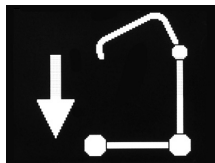


Als de tillift vanwege overbelasting stopt (een poging om meer dan de veilige belasting te tillen), verschijnt het symbool voor overbelasting op het lcd-scherm. De tillift houdt op te functioneren totdat het teveel aan gewicht (boven de veilige belasting) is verwijderd.

⚠ WAARSCHUWING

Indien het lcd-scherm op uw Smart Monitor een overbelasting heeft geregistreerd, adviseert Joerns Healthcare ALLE dagelijkse controles uit te voeren bij de tillift voordat deze opnieuw wordt gebruikt. Voor een overzicht van de dagelijkse controles wordt naar de gebruikershandleiding van de tillift verwezen. Joerns Healthcare adviseert eveneens contact op te nemen met uw erkende Oxford dienstverlener voor aanvullend advies.

Extra bedieningsknoppen op de lift:



Dankzij de extra bedieningsknoppen op de tillift kan deze in geval van nood tillen of dalen.

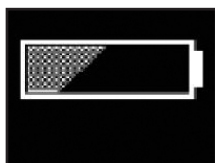


Als uw tillift is voorzien van elektrische positionering van het onderstel, zijn er eveneens extra bedieningsknoppen om het onderstel te openen en te sluiten.

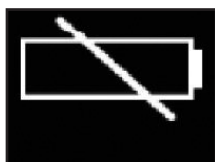
Informatie betreffende accu's:



Wanneer een volle batterij op het scherm zichtbaar is, betekent dit dat de accu volledig geladen is en de tillift klaar is voor gebruik.



Wanneer er een halflege batterij op het scherm zichtbaar is, betekent dit dat het tijd is om de accu op te laden.



Wanneer er een lege batterij op het scherm zichtbaar is, betekent dit dat de accu geen vermogen meer heeft en direct op de oplader moet worden geplaatst.

⚠ WAARSCHUWING

Om mogelijke permanente schade aan de accu te voorkomen, dient de accu opgeladen te worden zodra het icoontje van een halflege batterij zichtbaar is.

8. Bedieningsinstructies

WAARSCHUWING

De Oxford patiëntenliften mogen uitsluitend worden bediend door volledig opgeleide/ competente verzorgers.

1. Afstellen van het onderstel

De breedte van het onderstel van de Oxford Ascend kan elektrisch afgesteld worden. Het onderstel kan gespreid worden om het mogelijk te maken om een fauteuil of rolstoel te bereiken. Voor transfers en het manoeuvreren in nauwe doorgangen kan het onderstel van de tillift in ge sloten positie gebracht worden.

Stel het onderstel elektrisch af door op de daarvoor bestemde knoppen op de handbediening te drukken. Het onderstel wordt vergrendeld wanneer de knop op de handbediening losgelaten wordt.

2. Zwenkwielen en remmen

De tillift beschikt over twee zwenkwielen met een rem, die ingeschakeld kan worden om de lift te stallen. Tijdens tilhandelingen moet de rem uitgeschakeld staan en moeten de zwenkwielen ongehinderd kunnen bewegen. De tillift kan dan naar het zwaartepunt bewegen. Als de rem ingeschakeld staat dan schommelt de patiënt naar het zwaartepunt en dat kan vervelend en oncomfortabel zijn.

3. De tilarm: heffen en dalen

Het bewegen van de tilarm wordt gestuurd door een krachtige servomotor, die bestuurd wordt met een eenvoudig handbedieningselement. De handbediening heeft twee knoppen met pijlen voor OMHOOG en OMLAAG. De servomotor stopt automatisch wanneer de hoogste of laagste stand wordt bereikt. De handbediening wordt onderaan het bedieningspaneel aangesloten.

4. Noodstop

De rode noodstopknop bevindt zich aan de voorzijde van het bedieningspaneel en wordt geactiveerd door hem in te duwen. Hierdoor wordt alle stroom van de tillift afgesloten. Dit kan teruggedet worden door de knop linksom te draaien en vrij te geven.

5. Elektrische Noodbediening

De noodbedieningsknoppen voor omhoog/omlaag bevinden zich aan de voorzijde van het bedieningspaneel. Deze worden in werking gesteld door de punt van een balpen in de opgelichte knop (pijl omhoog/omlaag) te steken. Mocht de handbediening niet werken, dan kan de tilarm hiermee omhoog of omlaag gebracht worden.

6. Mechanische noodbediening

De elektrische servomotor is uitgerust met een mechanisch daalelement (RED BOSS) dat gebruikt kan worden in geval van een complete stroomuitval. Dit werkt alleen wanneer de tillift beladen is. Trek het element omhoog om het te activeren; dit zet een langzame daling in werking.

Merk op: Het MINIMALE gewicht dat nodig is om de lift handmatig naar beneden te brengen via het mechanische noodmechanisme is 30 kg. Dit is een noodbediening en niet deze is niet bedoeld voor herhaaldelijk gebruik.

7. Accu's

A Een LAGE ACCUSPANNING-ALARM behoedt de accu's voor een te lage lading. Dit alarm gaat af wanneer de accu's opgeladen moeten worden en de handbediening gebruikt wordt. Het gaat niet af wanneer de handbediening niet gebruikt wordt. **NEGEER DIT ALARM NIET.** Voltooi de tilhandeling en laadt de accu op (zie oplaadinstructies).

8. Tilbanden

De Oxford Ascend is geschikt voor patiënten in de volgende posities: ZITTEND, ZITTEND/LIGGEND, LIGGEND. De volgende tilbanden zijn geschikt voor gebruik met dit toestel:

- Oxford Transport
- Oxford Standing

9. Afstellen kniesteun

De Ascend heeft een verstelbare kniesteun. Het verplaatsingsbereik is 5 centimeter. U kunt de kniesteun afstellen door de knop aan de linkerkant van de steun zover los te draaien dat u de kniesteun vrij omhoog of omlaag kunt bewegen.

10. Afneembare voetsteun

De Ascend heeft een afneembare voetsteun. Ga naar de voorkant van het product en til de voetsteun vanuit het midden van het toestel omhoog om hem te verwijderen. **LET OP** Wees voorzichtig wanneer u de voetsteun vanuit zijn lage positie optilt.

9. Oplaad instructies

De accu's bevinden zich in het accupak en worden opgeladen met behulp van een losse bureau-oplader.

Wanneer het accupak opgeladen moet worden, wordt het van de tillift afgehaald en in een aparte oplader geplaatst.

Joerns Healthcare raadt aan om een aanvullend accupak aan te schaffen zodat één accupak altijd opgeladen kan worden.

1. Verwijder het accupak van de tillift. Het pak wordt vastgehouden door een eenvoudige grendel aan de bovenkant van het accupak. Til de grendel op om het accupak te verwijderen.
2. Plaats het accupak in de oplader. Het plaatsings- en bevestigingsmechanisme van de oplader is hetzelfde als dat van de tillift.
3. Steek het netsnoer van de oplader in een geschikt stopcontact en schakel de elektriciteit AAN.
4. Het opladen gebeurt automatisch en de accu's worden in acht tot twaalf uur volledig opgeladen. Let op: de accu's kunnen niet "overladen" worden, zelfs niet wanneer u de stekker van de oplader voor langere tijd in het contact laat.
 - a) Groen licht - Geeft aan dat de stroomtoevoer is ingeschakeld.
 - b) Geel licht - Geeft aan dat de accu wordt opgeladen.
 - c) Accu is volledig opgeladen als het gele licht uitgaat.

OPMERKING: Het wordt aanbevolen de accu direct na ontvangst op te laden.

5. Schakel de elektriciteit UIT en verwijder het accupak uit de oplader om de tillift weer in gebruik te nemen. Bevestig het accupak aan de tillift en zorg ervoor dat de vergrendeling die de accu op zijn plaats houdt goed vastzit. "Klik" vast. Het opladen van de Oxford elektrische tilliften is eenvoudig en ongecompliceerd, maar het is belangrijk dat u de oplaad instructies nauwgezet opvolgt. Let a.u.b. met name op de volgende aanwijzingen, waarmee u kunt voorkomen dat er zich problemen voordoen met het ontladen van accu's.

WAARSCHUWING

- Accu's mogen **NOOIT** door onbevoegd personeel worden geopend. (Neem contact op met uw distributeur voor garantie en reparaties).
- **RAAK** de polen van de accu/oplader **NOOIT** aan.
- **HOUD** de accu's steeds opgeladen. Plaats de accu telkens wanneer de tillift niet wordt gebruikt, op de oplader. Of laad de accu's iedere nacht op, als u dit gemakkelijker vindt. Het is niet mogelijk de accu's te 'overladen'
- Laat de accu's **NOOIT** volledig ontladen. Als het waarschuwingssignaal klinkt dat de accu's opgeladen moeten worden, maak dan de tilbeweging af waarmee u bezig bent, en plaats het voedingselement direct op de oplader.

WAARSCHUWING

- Om mogelijke permanente schade aan de accu te voorkomen, dient de accu opgeladen te worden zodra het icoontje van een halflege batterij zichtbaar is.
- Als u het voedingselement voor langere tijd opbergt, zorg er dan voor dat u de accu's **REGELMATIG** oplaadt.
- Controleer **ALTIJD** of de stroomtoevoer naar de oplader is uitgeschakeld voordat u het voedingselement op de oplader plaatst of eraf haalt.
- Laat het voedingselement **NOOIT** in de oplader staan als de stroom niet is aangesloten.
- Laat de oplader **NIET** aan staan zonder dat er een accu in zit.
- **GEBRUIK** de lift **NIET** tijdens het opladen van de accu.
- Om schade aan de elektrische aansluiting te voorkomen, moet u steeds voordat u de lift verrijdt, **CONTROLLEREN** of hij niet is aangesloten op de oplader.
- **TREK NOOIT** de stekker van de oplader uit het contact door aan de kabel te trekken.
- **PAS OP** dat u niet over de laadkabel struikelt.
- Laad een elektrische tillift **NIET** op in een badkamer of doucheruimte.

10. Onderhoudsschema & Dagelijkse Controlelijst

Alle Oxford producten zijn ontworpen voor minimaal onderhoud. Toch zijn er sommige veiligheidscontroles-en procedures die moeten worden uitgevoerd. Hieronder volgt een schema van DAGELIJKSE taken. Dagelijkse controle en een zesmaandelijks onderhoudsbeurt, inspectie en tests zorgen ervoor dat de tillift in optimale conditie blijft. U kunt een lijst met vervangingsonderdelen ontvangen op aanvraag.

De **BELASTINGSTEST** en certificatie moeten alleen uitgevoerd worden door bevoegd personeel of een geautoriseerde service agent / dealer.

DAGELIJKSE CONTROLELIJST: Joerns Healthcare raadt sterk aan de volgende dagelijkse controles uit te voeren voordat u de tillift gebruikt.

- ZORG ERVOOR dat de tillift vrij kan bewegen op de zwenkwielen.
- CONTROLEER of het juk (koehoornmodel) stevig aan de tilarm is bevestigd.
- ONDERZOEK de ophangpunten van het juk en de zij-ophangers op overmatige slijtage.
- ZORG ERVOOR dat het onderstel correct spreidt en sluit.
- GEBRUIK de handbediening om te controleren of de tilarm goed omhoog en omlaag beweegt.
- ZORG ERVOOR dat het display van de schakelkast GEEN steeksleutelsymbool heeft en dat er geen hoorbare pieptoon is wanneer de knoppen Omhoog / Omlaag worden ingedrukt.
- Test de werking van de noodstopknop van elektrische tilliften.
- ONDERZOEK tilbanden voor slijtage of andere schade. Gebruik een tilband NIET als deze beschadigd is.
- STEL VAST dat de tillift geen lage accuspanning-alarm laat afgaan wanneer de handbediening wordt gebruikt. Als het alarm afgaat, gebruik de tillift NIET maar laadt hem onmiddellijk op.
- ZORG ERVOOR dat de actuorklemmen goed zijn vastgedraaid.
- CONTROLEER VISUEEL alle bevestigingen en bevestigingen en zorg ervoor dat ze goed vastzitten voor gebruik.

Onderhoud, Inspecties En Tests

Joerns Healthcare raadt aan om regelmatig een grondige inspectie en test van de Oxford Ascend tillift en accessoires (tilbanden, weegschaal enz.) uit te voeren. Inspectiefrequenties variëren per land. Controleer daarom bij uw dealer of lokale overheidsinstelling hoe vaak een inspectie vereist is. De inspectie en tests moeten worden uitgevoerd aan de hand van onderstaande aanbevelingen en procedures. Joerns Healthcare raadt aan om onderhoud, inspectie en gecertificeerde tests alleen te laten uitvoeren door geautoriseerde service agents of dealers.

OPMERKING: Met deze aanbevelingen wordt voldaan aan de vereisten van de Britse verordening No2307 Health and Safety: The Lifting Operations and Lifting Equipment Regulations 1998. Controleer a.u.b. de wettelijke vereisten in uw land.

Reiniging

Reinig met gewone zeep en water en/of desinfectiemiddel voor harde oppervlakken. Vermijd agressieve chemische schoonmaakmiddelen of schuurmiddelen. Deze kunnen de afwerking van de tillift beschadigen. Maak de elektrische onderdelen niet nat. Na het reinigen moet het apparaat grondig worden gedroogd.

Afvalverwerking

Accu: Alle accu's in het product en begeleidende accessoires moeten apart worden gerecycled. De afvalverwerking van accu's dient plaats te vinden volgens lokale of nationale regelgeving.

Tilbanden: Tilbanden en gerelateerde accessoires moeten volgens lokale of nationale regelgeving als brandbaar afval worden gesorteerd.

***DE VOLGENDE CONTROLES MOETEN WORDEN UITGEVOERD:**

	Aanvankelijk	Voor gebruik	Onderhoudsintervallen
1. TILARM: controleer de bevestiging van de tilarm aan de mast. Vergewis u ervan dat de tilarm slechts minimaal zijwaarts kan bewegen en dat de tilarm vrij kan roteren op de lagers.	✓	✓	✓
2. BEVESTIGINGSPUNTEN VAN DE TILBAND: Controleer de haken en bevestigingsclips van de tilband op het tiljuk en de mast op overmatige slijtage.	✓	✓	✓
3. MAST: controleer de werking van het mastvergrendelelement. Controleer of de mast volledig in de opening zakt. Controleer de servomotor aan de onderkant van het toestel.	✓	✓	✓
4. SERVOMOTOR: de servomotor vereist buiten controle op juiste werking en luisteren voor vreemde geluiden geen ander onderhoud.			✓
5. ACCUPAK: controleer de werking van de noodstopknop en de noodbediening.	✓	✓	
6. SMART MONITOR: Controleer de werking van de noodstopknop. Controleer of het contact van de handbediening goed is geplaatst. Controleer of de handbediening correct functioneert. Controleer de extra bedieningsknoppen en stel vast of ze functioneren zoals bedoeld.	✓	✓	✓
7. ACCU'S: de accu's bevinden zich in het accupak en vereisen buiten het regelmatig opladen zoals beschreven in de oplaad instructies geen ander onderhoud. Controleer of de aansluitingen schoon zijn.			✓
8. ACCU'S (opladen): Stel vast of de tillift geen alarmsignaal voor lageaccu spanning afgeeft wanneer de handbediening wordt gebruikt. Als het alarmsignaal klinkt, gebruik de tillift dan niet en plaats de accu direct op de oplader	✓	✓	
9. AFSTELLEN ONDERSTEL: controleer of het onderstel volledig spreidt en sluit.	✓	✓	✓
10. ZWENKWIELEN: controleer of alle zwenkwielen goed aan het onderstel bevestigd zijn. Controleer of de zwenkwielen vrij zwenken en draaien.	✓	✓	✓
11. REINIGING: reinig met gewone zeep en water en/of desinfectiemiddel voor harde oppervlakken. Vermijd agressieve chemische schoonmaakmiddelen of schuurmiddelen. Deze kunnen de afwerking van de tillift beschadigen. Maak de elektrische onderdelen niet nat. Na het reinigen moet het apparaat grondig worden gedroogd.		✓	✓
12. BELASTINGTEST: De belastingtest moet worden uitgevoerd in overeenstemming met de testprocedures van de fabrikant. Het wordt sterk aanbevolen de test door een erkende servicedealer te laten uitvoeren.			✓
13. VOETSTUK EN ONDERSTEL: zorg ervoor dat het onderstel gelijk en vlak is (alle vier wielen op de grond).	✓	✓	✓

	Aanvankelijk	Voor gebruik	Onderhoudsintervallen
14. TILBANDEN: CONTROLEER OP SLIJTAGE EN RAFELLEN.	✓	✓	✓
15. SMERING: smeer de draaigewrichten waaronder mast- en tilarmverbindingen, pedaalelementen, jukgewricht (alleen indien nodig).			✓
16. HANDBEDIENING: zorg dat deze goed aan het bedieningspaneel verbonden is	✓	✓	

11. Technische Specificaties

Maximale tilbelasting	440 lbs	200 kg
Maximale totale lengte	43.3 inches	1100 mm
Minimale totale lengte	40.8 inches	1035 mm
Maximale totale hoogte	66.5 inches	1690 mm
Minimale totale hoogte	48.4 inches	1230 mm
Maximale hoogte tot bevestigingspunt	64.7 inches	1644 mm
Minimale hoogte tot bevestigingspunt	37 inches	940 mm
Draairadius	51.9 inches	1320 mm
Onderstel gespreid - externe breedte	39.1 inches	995 mm
Onderstel gespreid - interne breedte	34.8 inches	885 mm
Onderstel gesloten - externe breedte	24.8 inches	630 mm
Onderstel gesloten - interne breedte	20.0 inches	510 mm
Breedste punt (tussen ondersteuningshandvatten)	28.9 inches	735 mm
Totaalhoogte poten	4.7 inches	120 mm
Bodemspeling	1.4 inches	35 mm
Voorste zwenkwielen	4.0 inches	100 mm
Achterste zwenkwielen met rem	4.0 inches	100 mm
Gewicht		
Mast, onderstel en tilarm	97 lbs	44.0 kg
Accupak	6.6 lbs	3 kg
Totaal	103.6 lbs	47.0 kg
Onderstel (zonder accu)	42.9 lbs	19.5 kg
Mast & tilarm (zonder accu)	45.1 lbs	20.5 kg

Alle metingen vallen binnen een +5/-5 afwijkingsgraad.

ELEKTRISCHE SPECIFICATIES

ACCU'S	24 Volt gesloten lood/zuur type, oplaadbaar	
ACCUCAPACITEIT	3.2 Ampère-uur	
NOMINAAL OPGENOMEN VERMOGEN OPLADER.....		100 - 24
NOMINAAL AFGEGEVEN VERMOGEN OPLADER.....	29.5 VDC, Max. 19 W	

BESCHERMINGSMAATREGELEN TEGEN ELEKTROSTATISCHE ONTLADING

OPLADER	KLASSE II
TILLIFT	INTERNE STROOMBRON

DEGREE OF SHOCK PROTECTION

OPLADER	TYPE B
TILLIFT	TYPE B

OMGEVINGSVOORWAARDEN

Wanneer de omgevingsvoorwaarden worden overschreden, komen functionaliteit en veiligheid in gevaar

OPERATIONELE VOORWAARDEN:

TEMPERATUUR	5°C tot 35°C
RELATIEVE VOCHTIGHEID	20% tot 90% @ 30°C - niet-condenserend
ATMOSFERISCHE DRUK	700 tot 1060 hPa

OPBERGVOORWAARDEN:

TEMPERATUUR	5°C tot +50°C
RELATIEVE VOCHTIGHEID	20% tot 90% @ 30°C - niet-condenserend
ATMOSFERISCHE DRUK	700 tot 1060 hPa

IP-CLASSIFICATIES

BEDIENINGSKAST	IPX4
ACTUATOR.....	IPX4
AFZONDERLIJKE OPLADER	IPX5
ACCU	IPX5
HANDSET	IPX5

BEDRIJFSCYCLI

ACTUATOR.....	10% (2 min./18 min.)
ACCU	Approx. 4 hrs.

AKOESTIEKA

Gewogen geluidsvermogensniveau	55.6 dB (A)
--------------------------------------	-------------

BELANGRIJKSTE SYMBOLEN:

De volgende symbolen worden op de oplader, bediening en accu gebruikt:



Dit product is een medisch hulpmiddel in overeenstemming met de EU-verordening Medische hulpmiddelen 2017/745.



Type B-apparatuur, volgens EN 60601-1



Klasse 2 apparatuur



Het weggooien van batterijen mag niet met het gewone huishoudelijke afval worden gemengd. De afvalverwerking van accu's dient plaats te vinden volgens lokale of nationale regelgeving.



Het weggooien van elektronica mag niet worden gemengd met algemeen huishoudelijk afval.



Voor gebruik binnenshuis



LET OP, raadpleeg meegeleverde documenten.



Raadpleeg de gebruikersinstructies voor gebruik (Blauwe achtergrond).



Certificeringskeurmerk dat aangeeft dat wordt voldaan aan de toepasselijke eisen voor producten die in Groot-Brittannië worden verkocht.



Een contactpunt tussen de niet-Europese fabrikant van medische hulpmiddelen, de nationale bevoegde autoriteiten (ministerie van Volksgezondheid) en de aangemelde (keuring)instanties.



Een uniek identificatienummer dat is bedoeld om een enkele, mondiaal geharmoniseerde, positieve identificatie van medische apparatuur tijdens distributie en gebruik te bieden.



Geeft aan door welke entiteit het medische hulpmiddel in het betreffende land wordt geïmporteerd.

12. Garantie

Joerns Healthcare beschikt over een gevestigd netwerk van erkende distributeurs en onderhoudsmonteurs. Zij helpen u graag met al uw vragen betreffende uw aankoop, garantie, reparaties en onderhoud. Wij adviseren onze producten bedrijfsklaar te laten maken door uw erkende distributeur of onderhoudsmonteur.

De distributeur of onderhoudsmonteur voert het garantieschema uit; daarom is het belangrijk de naam, het adres en het telefoonnummer van deze personen te noteren, zodat u contact met hen kunt opnemen wanneer zich problemen voordoen. Als u niet zeker weet waar uw lift werd aangekocht, kan Joerns Healthcare aan de hand van het serienummer nagaan door welke leverancier het product werd geleverd.

Alle garantieclaims zijn onder voorbehoud van het juiste gebruik en onderhoud in overeenstemming met de gebruikershandleiding die met iedere product wordt meegeleverd. Schade die is veroorzaakt door gebruik in een ongeschikte omgeving of het nalaten van het onderhoud in overeenstemming met de onderhouds- en gebruikersinstructies, wordt niet gedekt. Uw grondwettelijke rechten worden niet aangetast!

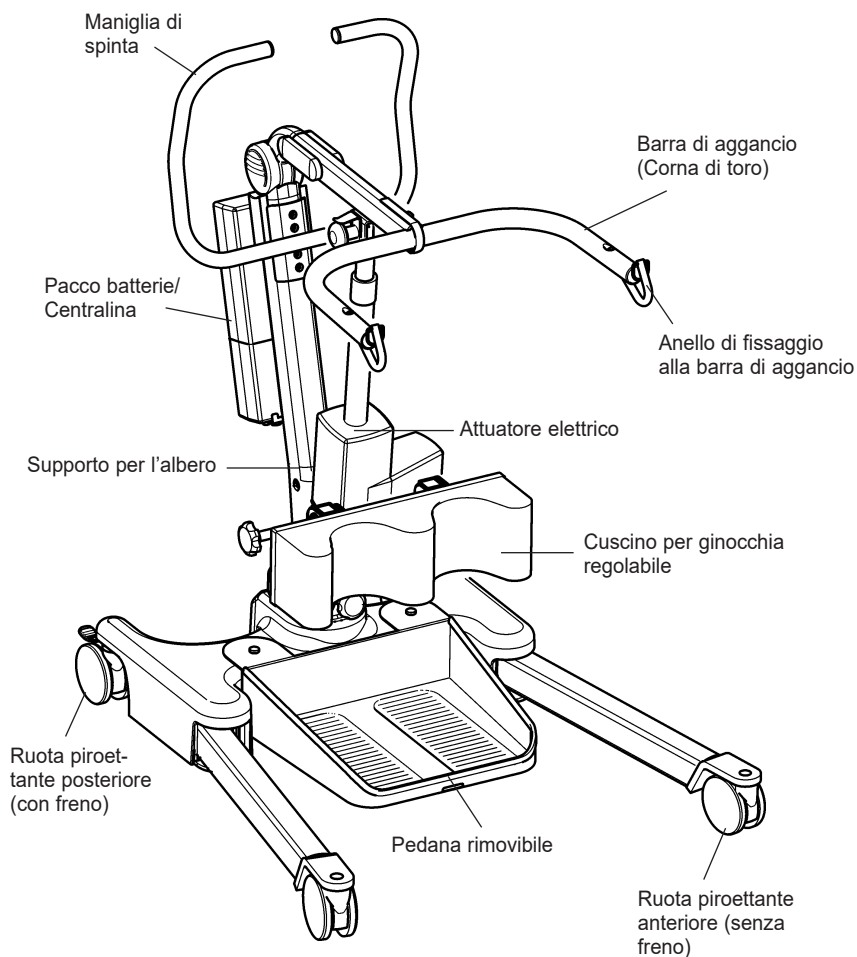
ONTHOUD: Neem contact op met uw erkende distributeur of onderhoudsmonteur voor aankopen, reparaties, onderhoud en gecertificeerd onderhoud.

Uw distributeur:

Sommario

1. Sollevatore Oxford Ascend.....	133
2. Introduzione: Informazioni sul sollevatore.....	134
3. Istruzioni per il montaggio e la messa in opera.....	135
4. Guida per l'imbraccatura.....	139
5. Sollevamento con Oxford Ascend.....	140
6. Misure di sicurezza.....	141
7. Smart Monitor e unità palmare.....	143
8. Istruzioni per il funzionamento.....	147
9. Istruzioni per la ricarica.....	149
10. Manutenzione programmata e controlli quotidiani.....	151
11. Specifiche tecniche.....	154
12. Garanzia.....	157

1. Sollevatore Oxford Ascend



2. Introduzione: Informazioni sul sollevatore

Ciascun sollevatore Ascend viene completamente montato, certificato e testato per il carico prima di essere imballato e spedito. L'imballaggio è costituito da un cartone molto resistente, costruito appositamente per poter garantire che il sollevatore arrivi integro. Con ogni sollevatore viene fornita una busta contenente vari documenti che dovrebbero essere conservati per eventuali consultazioni future.

- CERTIFICATO DEL TEST
- CONTENUTO DELLA CONFEZIONE
- MANUALE D'USO

Il CERTIFICATO DI PROVA è un documento importante e sarà necessario per la documentazione assicurativa. Ha una validità di sei mesi e alla sua scadenza sarà necessario sottoporre il sollevatore a ispezione e assistenza sulla base del piano di manutenzione previsto.

Il rivenditore autorizzato è disponibile per fornire servizi di assistenza e prove periodiche nei Paesi che le prevedono (Europa). Assicurarsi che il sollevatore sia incluso nel suo programma di manutenzione. Se non si è sicuri dei requisiti di manutenzione previsti dal mercato locale mettersi in contatto con il rivenditore e/o Joerns Healthcare.

⚠ AVVERTENZA

Prima di ogni uso del sollevatore è necessario attenersi attentamente alle indicazioni relative ai controlli quotidiani riportate in questo manuale.

Il marchio CE: Il sollevatore Oxford Ascend ha il marchio CE e ottempera alle seguenti direttive CE:



- Direttiva sulle apparecchiature mediche 2017/745
- Direttiva sulla compatibilità elettromagnetica (EMC) 2014/30/EU
- Direttiva sul basso voltaggio 2014/35/EU

Destinazione d'uso

Il sollevatore deve essere utilizzato per il trasferimento di un paziente da una superficie di appoggio a un'altra, ad esempio da un letto ad una carrozzina. Joerns Healthcare raccomanda che il trasferimento di un paziente venga effettuato dopo un'attenta valutazione dei rischi e delle condizioni di sicurezza, ed esclusivamente per trasferimenti su breve distanza.

Il sollevatore Oxford Ascend è destinato esclusivamente a pazienti in posizione SEDUTA che possono sostenere un certo grado di peso, ma che necessitano di assistenza per mantenere la posizione eretta. La rimozione della pedana consente di usare il sollevatore Oxford Ascend anche come dispositivo di deambulazione assistita e dopo un'attenta valutazione dei rischi.

Oxford Ascend è progettato per sostenere e favorire la gestione e il trasferimento del paziente in condizioni di sicurezza per il paziente stesso e l'operatore.

L'ausilio per la posizione eretta di Oxford Ascend è progettato per l'uso abbinato con la gamma di cinture di posizionamento Oxford. Qui sotto sono elencate le imbracature che possono essere utilizzate con questo sollevatore:

- Oxford Standing Sling
- Oxford Transport Sling

⚠ AVVERTENZA

I sollevatori Oxford Patient devono essere manovrati esclusivamente da personale addestrato/competente.

Vita utile prevista

I sollevatori Oxford Professional sono stati progettati e sottoposti a prova per assicurare una loro vita utile di 10 (dieci) anni, sempre che siano state rispettate le procedure d'uso e di manutenzione riportate in questo manuale. L'utilizzo diverso da quello descritto in queste istruzioni può abbreviarne la durata di vita del prodotto.

Segnalazione di incidenti gravi

Nel caso in cui durante l'uso di questo prodotto si sia verificato un incidente grave che abbia coinvolto l'utente o l'assistente è necessario segnalarlo al fabbricante del prodotto o al rivenditore autorizzato. Se l'incidente si verifica in uno Stato dell'Unione europea (UE) lo si deve segnalare anche all'Autorità competente dello Stato membro di residenza.

3. Istruzioni per il montaggio e la messa in opera

Contenuto del cartone

Collocare il cartone in uno spazio libero e aprirlo con cautela. Il cartone contiene:

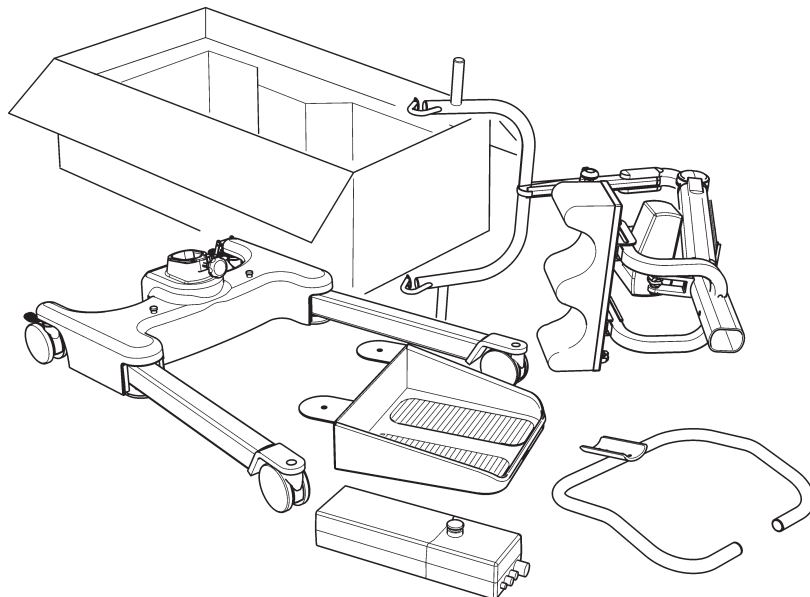
- SOLLEVATORE OXFORD ASCEND
- UNA BUSTA PORTADOCUMENTI
- TELECOMANDO
- PACCO BATTERIE
- UN CAVO DI CARICA DELLA BATTERIA
- CARICABATTERIE DA SCRIVANIA/INDIPENDENTI

⚠ AVVERTENZA

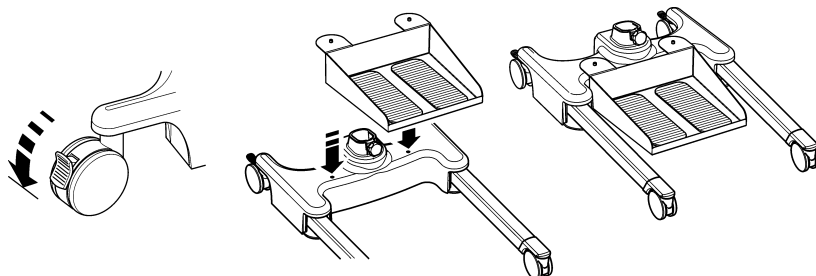
Il sollevatore Oxford Ascend è pesante e va estratto dal cartone con cautela. Per estrarlo potrebbe essere necessario chiedere aiuto.

Montaggio

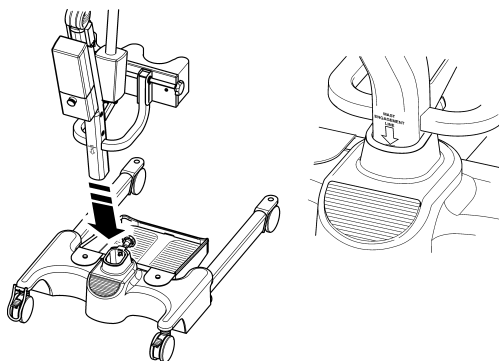
Rimuovere tutte le parti dal cartone e adagiarle sul pavimento, facendo molta attenzione alle parti verniciate.



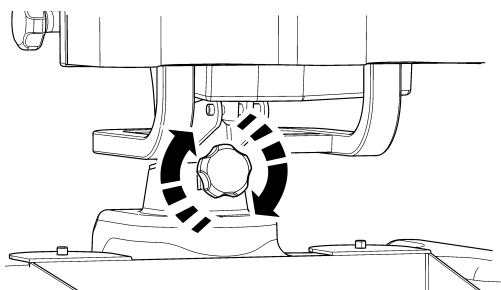
1. Posizionare il telaio su una superficie piana e applicare i freni posteriori. Attaccare la pedana alla base utilizzando i fori di posizionamento della base.



2. Installare il gruppo della colonna e del braccio nell'alloggiamento del telaio.



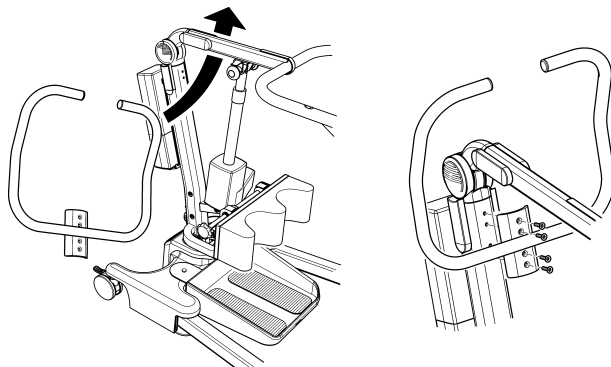
3. Serrare il gruppo della colonna utilizzando i relativi sistemi di blocco situati sulla parte anteriore del telaio.



⚠ AVVERTENZA

Prestare attenzione a non pizzicarsi le dita. Tenerle lontane dall'estremità della colonna durante l'inserimento nella base. L'inserimento completo della colonna è indicato dall'etichetta sul lato della colonna. La base elettrica non funzionerà fino a quando la colonna non sarà stata completamente fissata.

4. Serrare a mano la manopola di bloccaggio.
5. Allineare il gruppo della maniglia alla colonna e fissarlo con gli elementi di fissaggio forniti. Gli elementi di fissaggio e la chiave per fissare la maniglia si trovano nello scomparto delle istruzioni per l'utente.



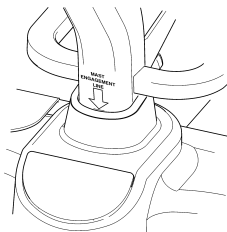
6. Posizionare la batteria sul sollevatore e accertarsi del corretto posizionamento dei dispositivi di fissaggio. Farlo "scattare" in posizione.

Istruzioni per smontare il sollevatore

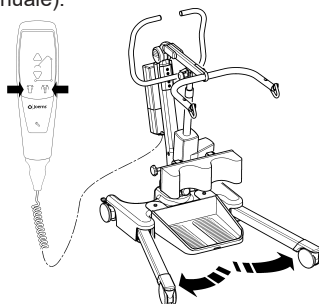
Il sollevatore deve essere smontato solo per le operazioni di manutenzione, di riparazione o di trasporto. Per smontare il sollevatore eseguire la procedura di montaggio in ordine inverso.

PRIMA DELL'UTILIZZO, CONTROLLARE SEMPRE QUANTO SEGUE

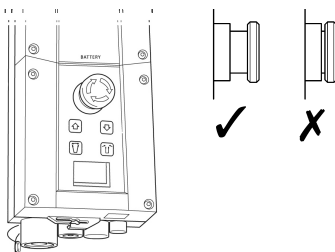
- L'albero è saldamente bloccato in posizione.



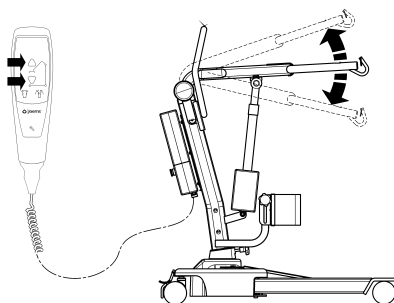
- Assicurarsi che le gambe del sollevatore si aprano e si chiudano senza problemi (operazione attivabile con il controllo manuale).



- Il pulsante rosso dell'arresto di emergenza, situato sulla parte posteriore della centralina, deve essere nella posizione OFF (sporgere esternamente).



- Premere i pulsanti su e giù del telecomando per verificare il sollevamento e l'abbassamento del braccio.



4. Guida per l'imbracatura

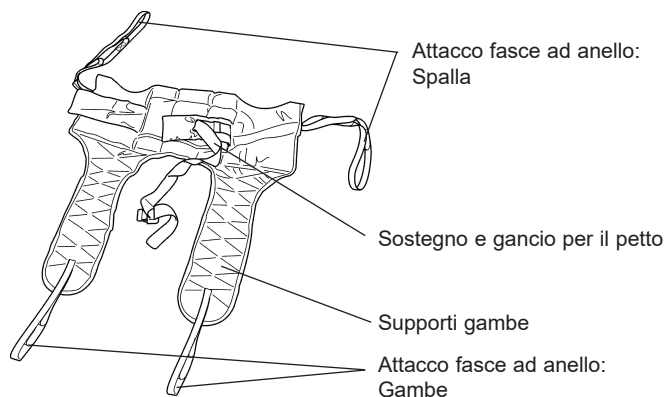
Il sollevatore Oxford Ascend è adatto al sollevamento di pazienti in posizione SEDUTA. Le imbracature idonee per l'uso con questo dispositivo sono riportate di seguito:

- Oxford Transport
- Oxford Standing

Istruzioni per l'uso delle imbracature Standaid

Le imbracature Transport e Standing sono di tipo semplificato e adatte per il sostegno in posizione eretta. Non si tratta di imbracature per uso generico e il loro utilizzo per i pazienti deve essere determinato da personale qualificato.

Imbracatura Transport (trasporto)



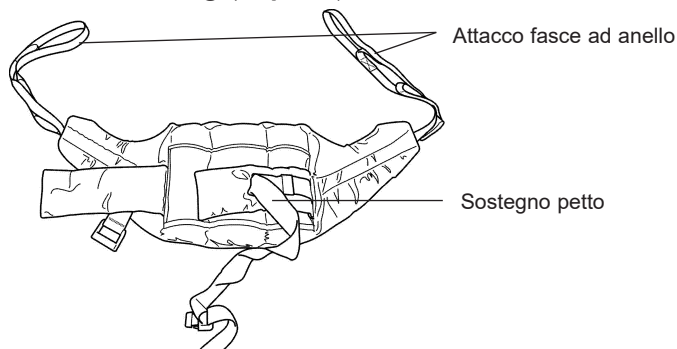
Fare scivolare l'imbracatura dietro la schiena del paziente, lasciando la parte superiore dell'apertura della comoda alla base della colonna vertebrale. Controllare che la parte avvolgente dell'imbracatura sia centrata rispetto alle spalle del paziente.

Attaccare la cinghia di sostegno al petto del paziente, senza stringerla eccessivamente. Essa serve a mantenere in posizione l'imbracatura mentre si attaccano a Standaid le fasce ad anello. Se lo si desidera si potrà anche evitare di attaccarla. Accertarsi che le braccia del paziente si trovino all'esterno dell'imbracatura.

Sollevarre la gamba del paziente e fare passare la fascia sotto la gamba e, quindi, fra le gambe. Verificare che l'imbracatura non sia attorcigliata o ripiegata sotto la coscia. Ripetere la procedura sull'altra gamba. Attaccare gli anelli degli avvolgitori dell'imbracatura ai ganci bianchi posti alle estremità delle maniglie.

Agganciare gli anelli, senza incrociarli sulle fasce per la gamba, alle manopole destra e sinistra nere della forcella di sollevamento. Di solito, si dovrebbe usare l'anello centrale. Il paziente è ora pronto per essere sollevato dal sedile. Quando il sedile sarà libero, il paziente sarà più comodo se verrà di nuovo abbassato nella posizione seduta.

Imbracature Standing (in piedi)



Posizionare l'imbacatura in corrispondenza della parte inferiore della schiena del paziente fra la base delle scapole e la parte inferiore della gabbia toracica. Attaccare le cinghie di sostegno attorno al petto del paziente, senza stringerla eccessivamente. Essa serve a mantenere in posizione l'imbacatura mentre viene attaccata a Standaid. Se lo si desidera si potrà anche evitare di attaccarla. Accertarsi che le braccia del paziente si trovino all'esterno dell'imbacatura.

NOTA: Per le istruzioni di montaggio, fare riferimento alla guida d'uso fornita con ogni imbracatura.

⚠ AVVERTENZA

Joerns Healthcare consiglia di controllare regolarmente le imbracature, e in particolare prima dell'uso, e assicurarsi che non siano logore o danneggiate. In questo caso **NON** devono essere usate.

⚠ AVVERTENZA

OXFORD RACCOMANDA DI UTILIZZARE UNICAMENTE COMPONENTI OXFORD ORIGINALI. I prodotti di imbracatura e di sollevamento Oxford sono stati realizzati per essere fra loro compatibili. Per le linee guida nazionali specifiche sull'utilizzo e la compatibilità dell'imbacatura fare riferimento all'etichetta dell'imbacatura, oppure rivolgersi al proprio distributore locale o, direttamente, a Joerns Healthcare.

⚠ AVVERTENZA

Fare riferimento alla portata massima del sollevatore. La portata dell'imbacatura è limitata dalla portata massima del sollevatore.

5. Sollevamento con Oxford Ascend

Posizionare Standaid in modo che i piedi del paziente si trovino sulla pedana e che le ginocchia si appoggino al cuscinetto per le ginocchia. Iniziare attaccando gli anelli più lunghi dell'imbacatura ai ganci grigi alle estremità delle maniglie di Standaid. Le mani del paziente dovrebbero trovarsi sulle maniglie. (per ottenere una posizione più eretta si potranno utilizzare fasce ad anello più corte). Premere il pulsante UP (SU) del telecomando per portare il paziente in posizione eretta.

6. Misure di sicurezza

Leggere e attenersi alle misure di sicurezza qui elencate. Il funzionamento e l'uso del sollevatore Oxford sono semplici e chiari. Il rispetto di queste poche misure di sicurezza di base renderà più facili e sicure le operazioni di sollevamento.

PRIMA DI USARE “ASCEND” LEGGERE E ASSICURARSI DI AVER COMPRESO IL MANUALE D'USO

AVVERTENZA: informazione importante su pericoli che potrebbero causare lesioni gravi.

ATTENZIONE: informazione per prevenire danni al prodotto.

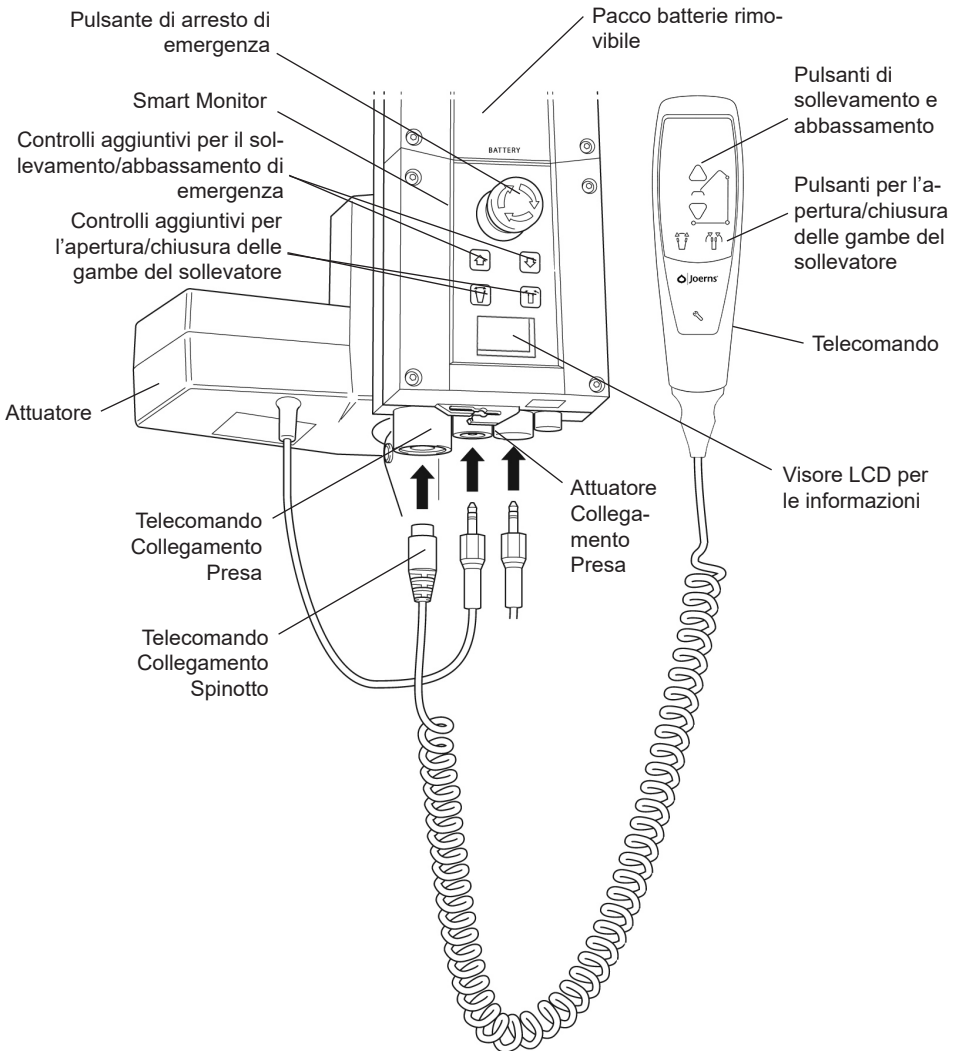
NOTA: informazione di particolare importanza.

AVVERTENZA

- I sollevatori Oxford per pazienti devono essere manovrati esclusivamente da personale addestrato/competente.
- Pianificare **SEMPRE** le operazioni di sollevamento prima di cominciare.
- Eseguire **SEMPRE** le operazioni elencate nella LISTA DI CONTROLLO QUOTIDIANA prima di utilizzare il sollevatore.
- Acquisire **SEMPRE** dimestichezza con i comandi di funzionamento e di sicurezza del sollevatore prima di sollevare un paziente.
- **NON** usare un'imbracatura a meno che non ne sia raccomandato l'uso con il sollevatore.
- Controllare **SEMPRE** che l'imbracatura sia adatta al paziente e che sia della misura e della portata corrette.
- **NON** usare **MAI** un'imbracatura logora o danneggiata.
- Posizionare **SEMPRE** l'imbracatura in base alle istruzioni fornite (manuale d'uso).
- **NON** eccedere mai il carico di sicurezza.
- Controllare **SEMPRE** che la portata massima del sollevatore sia adatta al peso del paziente.
- Svolgere **SEMPRE** le operazioni di sollevamento secondo le istruzioni fornite nel manuale d'uso.
- **NON** scollegare o ignorare **MAI** un comando o una funzione di sicurezza solo perché in questo modo sembra più facile far funzionare il sollevatore.
- **NON** sollevare un paziente se i freni delle ruotine sono inseriti. Lasciare sempre che il sollevatore trovi il centro di gravità corretto.
- **NON** tentare di spostare il sollevatore spingendo l'albero, il braccio o il paziente.
- Azionare **SEMPRE** il sollevatore utilizzando la maniglia/pulsante a piede fornito.
- Abbassare **SEMPRE** il paziente nella posizione più bassa e comoda possibile prima dei trasferimenti.

- **NON** spingere un sollevatore carico a velocità superiori a un passo d'uomo lento (3 km/h, 0,8 m/sec).
- **NON** spingere il sollevatore su terreni irregolari o accidentati. In particolare se è carico.
- **NON** cercare di spingere/tirare un sollevatore carico per superare un ostacolo sul pavimento.
- **NON** forzare **MAI** alcun tipo di comando di funzionamento o sicurezza. Tutti i comandi sono facili da usare e non è necessaria una forza eccessiva.
- Il carico **MINIMO** richiesto per abbassare manualmente il sollevatore usando il dispositivo meccanico per l'abbassamento di emergenza è 30 kg.
- **NON** fermare un sollevatore carico su **ALCUN** tipo di superficie in pendenza.
- **NON** usare i sollevatori elettrici nella doccia.
- **NON** ricaricare un sollevatore elettrico in bagno o nella stanza della doccia.
- **NON** sollevare un paziente se non si ha la competenza necessaria.
- Il sollevatore è concepito per sollevare pazienti. **NON** usarlo, né permettere che venga usato, per qualsiasi altro scopo.
- **NON** spingere il sollevatore giù da gradini, carico o scarico che sia.
- **NON** tentare di spingere un sollevatore carico su un pendio più inclinato di circa 5 gradi.
- **NON** tentare di spostare un paziente lungo un pendio senza la presenza di una seconda persona.
- **NON** utilizzare il sollevatore in ambienti umidi e corrosivi come le piscine.

7. Smart Monitor e unità palmare



Destinazione d'uso

Oxford Smart Monitor è un sistema di controllo per i sollevatori Oxford. Smart Monitor memorizza e, quando necessario, consente di richiamare le informazioni di assistenza utili relative al sollevatore. Le informazioni di assistenza comprendono:

- Numero di cicli di sollevamento del paziente.
- Attività totali avviate dall'azionatore.
- Numero di sovraccarichi di sollevamento (tentativi di sollevamento oltre il carico massimo con sentito).
- Numero di giorni trascorsi dall'ultimo intervento di assistenza.

Oxford Smart Monitor è dotato di un microprocessore interno che consente di visualizzare sul visore LCD i dati relativi all'assistenza.

Caratteristiche

- Raccolta dei dati nella centralina di controllo e loro visualizzazione sul visore LCD.
- Contatore delle operazioni.
- Contatore intelligente dei cicli.
- Indicatore per l'assistenza.
- Indicatore per gli intervalli di assistenza.
- Informazioni sui sovraccarichi.
- Indicatore della carica della batteria (3 passi).




Benefici

- Maggiore sicurezza per il paziente e l'operatore.
- Disponibilità dei dati accurati di assistenza con la semplice pressione di un pulsante.
- Ciclo di vita ottimizzato del prodotto.
- Manutenzione semplificata per i tecnici e il Centro di assistenza.
- Facile e veloce identificazione degli errori

Visore LCD

Oxford Smart Monitor visualizza le informazioni su un visore LCD. Consente di visualizzare il numero totale di cicli di sollevamento, delle attività avviate, dei sovraccarichi e dei giorni trascorsi dall'ultimo intervento di assistenza; queste informazioni potranno essere usate per consentire una rapida valutazione delle condizioni dell'azionatore del sollevatore.

Per accedere alle informazioni, premere e mantenere premuto per ½ secondo il pulsante "UP" dell'unità palmare, oppure premere il pulsante aggiuntivo "UP" di Smart Monitor.

	12034	— Totale dei cicli di sollevamento
A*S	1257000	— Totale del lavoro svolto (Ampere [A] * Secondi)
	7	— Numero dei sovraccarichi
	90/180	— Numero dei giorni (dall'ultimo intervento di assistenza) / Numero dei giorni (tra gli interventi di assistenza)

Informazioni relative all'assistenza e all'uso



Quando arriva il momento di richiedere assistenza, il visore lo segnalerà visualizzando il simbolo dell'assistenza. Inoltre, quando l'unità palmare è attiva, Smart Monitor emetterà un segnale acustico per avvertire l'utente che è necessario un intervento di assistenza.

Il simbolo di segnalazione di assistenza viene visualizzato ogni volta che si premono i pulsanti di sollevamento/abbassamento dell'unità palmare. La visualizzazione del simbolo dell'assistenza segnala che è necessario contattare immediatamente un Centro di assistenza autorizzato per programmare un intervento.

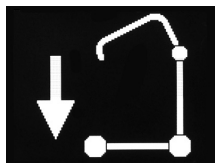


Se il sollevatore si arresta a causa di un sovraccarico (ovvero un tentativo di sollevare un carico superiore a quello di sicurezza) sul visore LCD appare il simbolo del sovraccarico e il sollevatore si arresta fino alla rimozione del carico in eccesso (superiore al limite di sicurezza).

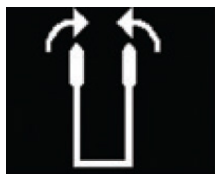
AVVERTENZA

Se il visore LCD di Smart Monitor segnala un sovraccarico, Joerns Healthcare raccomanda di procedere con **TUTTE** le routine di controllo quotidiane del sollevatore prima di utilizzarlo ulteriormente (per l'elenco dettagliato dei controlli quotidiani fare riferimento al Manuale d'uso del sollevatore). Per ulteriori chiarimenti Joerns Healthcare raccomanda inoltre di contattare un Centro di assistenza Oxford autorizzato.

Controlli aggiuntivi integrati



I controlli aggiuntivi integrati consentono di sollevare o abbassare il sollevatore in casi di emergenza.



Se il sollevatore è dotato di un posizionamento motorizzato delle gambe del sollevatore è prevista anche la presenza di controlli aggiuntivi per consentirne l'apertura e la chiusura.

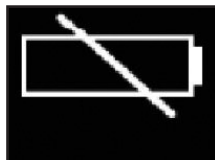
Informazioni sulla batteria



Quando il visore segnala una batteria completamente carica significa che la batteria è totalmente carica e che il sollevatore è pronto per l'uso.



Quando il visore indica che la batteria è carica solo a metà significa che è necessario ricaricarla.



Quando il visore visualizza il simbolo di batteria scarica significa che l'autonomia della batteria è esaurita e che deve essere immediatamente ricaricata.

⚠ AVVERTENZA

Per evitare possibili danni permanenti alla batteria è necessario ricaricarla non appena sul visore compare il simbolo di batteria carica solo a metà.

8. Istruzioni per il funzionamento

AVVERTENZA

I sollevatori Oxford devono essere manovrati esclusivamente da personale addestrato/competente.

1. Regolazione della base

La larghezza delle gambe della base dei sollevatori Oxford Ascend è regolabile elettricamente. Può essere aperta per consentirne il posizionamento intorno a poltrone o carrozzine. Per lo spostamento e l'attraversamento di porte e passaggi stretti, le gambe del sollevatore devono trovarsi in posizione chiusa.

Regolazione elettrica delle gambe - Attivabile tramite la pressione dei pulsanti appropriati presenti sul telecomando. Al rilascio del pulsante, le gambe si bloccano nella posizione raggiunta.

2. Ruote piroettanti e freni

Il sollevatore è dotato di due ruote piroettanti con freni che possono essere inseriti quando il sollevatore non viene usato. Durante le operazioni di sollevamento, le ruote piroettanti devono essere lasciate libere e con il freno disinserito. Il sollevatore sarà così libero di muoversi verso il proprio centro di gravità. Se i freni sono inseriti, il paziente pende verso il centro di gravità e ciò potrebbe mettere molto a disagio il paziente.

3. Sollevamento e abbassamento del braccio

Il movimento del braccio è garantito da un potente attuatore elettrico, controllato da un semplice telecomando. Dotato di due pulsanti con le frecce direzionali SU e GIÙ \updownarrow . L'attuatore si arresta automaticamente quando raggiunge il limite di movimento in entrambe le direzioni. Il telecomando viene inserito in una presa situata sulla base della centralina.

4. Arresto di emergenza

Il pulsante rosso di arresto di emergenza si trova sulla parte anteriore della centralina e viene attivato con la sua semplice pressione. La sua pressione determina l'interruzione dell'alimentazione del sollevatore. Per il suo ripristino, ruotare il pulsante in senso antiorario e rilasciarlo.

5. Controlli aggiuntivi

Le centraline di controllo di tutti i sollevatori Oxford prevedono la presenza di pulsanti per il sollevamento/abbassamento. Posizionati sotto il pulsante per l'arresto di emergenza consentono di abbassare/sollevare il paziente in caso di malfunzionamento dell'unità palmare.

6. Abbassamento meccanico di emergenza

In caso di avaria totale del sistema elettrico, l'attuatore elettrico è dotato di un dispositivo meccanico per l'abbassamento di emergenza (RED BOSS). Questo dispositivo funziona solo quando il sollevatore è carico. Il dispositivo entra in funzione quando lo si tira verso l'alto, avviando una discesa lenta.

Nota: Il carico MINIMO richiesto per abbassare manualmente il sollevatore usando il dispositivo meccanico per l'abbassamento di emergenza è 30 kg. Si tratta di un dispositivo di emergenza e non deve essere usato per operazioni di tipo ripetitivo.

7. Batterie

Le batterie sono protette dal rischio di scarica completa da un ALLARME DI BATTERIE SCARICHE. Quando è necessario ricaricare le batterie e solo se si sta utilizzando il telecomando, viene emesso un segnale acustico. Non emetterà alcun segnale acustico, indipendentemente dall'unità di controllo utilizzata. NON IGNORARE QUESTO ALLARME. Completare l'operazione di sollevamento e mettere la batteria in carica (vedere le istruzioni per la carica). Il livello di carica della batteria è visualizzato dall'indicatore sulla centralina.

ATTENZIONE

La batteria, il caricatore, il telecomando, la centralina e l'attuatore non devono essere aperti da personale non autorizzato. (Contattare il rivenditore di fiducia per questioni di garanzia e riparazioni).

8. Imbracature

Il sollevatore Oxford Ascend è adatto al sollevamento di pazienti in posizione SEDUTA. Le imbracature idonee per l'uso con questo dispositivo sono riportate di seguito:

- Oxford Transport
- Oxford Standing

9. Regolazione delle ginocchiere

Ascend è dotato di ginocchiere regolabili. Il movimento possibile è di 6 pollici. Per la regolazione allentare la manopola situata a sinistra dell'imbottitura in modo da allentare sufficientemente il gruppo per consentire di spostare la ginocchiera in alto o in basso.

10. Pedana rimovibile

Ascend è dotato di una pedana rimovibile. Per rimuovere la pedana portarsi davanti al sollevatore e sollevare la pedana verso l'alto afferrandola dalla sua posizione centrale. NOTA: fare attenzione quando si solleva la pedana dalla sua posizione di seduta bassa.

9. Istruzioni per la ricarica

Per caricare la batteria è necessario rimuoverla dal sollevatore e collegarla a un'unità di ricarica separata.

Per avere sempre a disposizione un gruppo batteria carico, Joerns Healthcare consiglia di acquistare un secondo gruppo batteria.

1. Rimuovere il pacco batterie dal sollevatore. Il pacco è trattenuto da un semplice gancio situato sulla parte superiore. Per sganciare il pacco, alzare il gancio.
2. Collegare il pacco al caricabatteria. Il pacco batterie si collega al caricabatteria come si collega al sollevatore.
3. Collegare il cavo di alimentazione a una presa di rete e **ACCENDERE** il sistema di alimentazione.
4. La ricarica è automatica; la ricarica completa delle batterie richiede 4 (quattro) ore.

NOTA: Le batterie non si sovraccaricheranno anche se si lascia il caricabatterie collegato all'alimentazione di rete per periodi di tempo prolungati.

- a) Indicatore luminoso verde – Indica la connessione all'alimentazione di rete.
- b) Indicatore luminoso giallo – Indica che la batteria è in fase di ricarica.
- c) Lo spegnimento dell'indicatore luminoso giallo indica il completamento della ricarica della batteria.

NOTA: Si raccomanda di ricaricare la batteria immediatamente dopo la sua consegna.

5. Per riutilizzare il sollevatore, **DISATTIVARE** l'alimentazione di rete e scollegare la batteria dal caricabatterie. Montare il pacco batterie sul sollevatore e chiudere il gancio che fissa il pacco. Farlo "scattare" nella sua posizione. L'operazione di carica dei sollevatori elettrici Oxford è semplice e chiara, ma è importante attenersi scrupolosamente alle istruzioni fornite. Prestare particolare attenzione ai seguenti punti per evitare che le batterie si scarichino.

AVVERTENZA

- **La batteria, il caricatore, il telecomando e la centralina NON devono essere aperti da personale non autorizzato. (Contattare il rivenditore di fiducia per questioni di garanzia e riparazioni).**
- **Non toccare i terminali della batteria/del caricabatteria.**
- **MANTENERE le batterie completamente cariche. Mettere il sollevatore sotto carica ogni qualvolta non venga utilizzato. Se è più pratico, caricarla ogni notte. Non esiste il rischio di sovraccaricare le batterie.**
- **NON scaricare MAI completamente le batterie. Non appena si sente l'allarme, completare l'operazione di sollevamento in corso e mettere il sollevatore sotto carica.**
- **Per evitare possibili danni permanenti alla batteria, ricaricarla non appena sul visore compare il simbolo di batteria carica solo a metà.**

- Non lasciare mai inutilizzato il sollevatore per lunghi periodi senza caricarlo regolarmente durante il periodo di inattività.
- Assicurarsi sempre che l'alimentazione del caricabatteria sia disattivata prima di collegarlo al o scollegarlo dal sollevatore.
- **NON** lasciare **MAI** il gruppo di alimentazione nel caricabatterie qualora il caricabatterie sia stato scollegato dall'alimentazione elettrica.
- **NON** lasciare acceso il caricabatterie quando non è connesso a una batteria.
- **NON** usare il sollevatore mentre si sta ricaricando la batteria.
- **PRIMA** di muovere il sollevatore verificare che la batteria non sia in ricarica perché si potrebbe danneggiare la connessione elettrica.
- **NON** scollegare mai la spina del caricabatteria tirando il cavo.
- **FARE ATTENZIONE** a non inciampare nel cavo di ricarica.
- **NON** ricaricare un sollevatore elettrico in bagno o nella stanza della doccia.

10. Manutenzione programmata e controlli quotidiani

Tutti i prodotti Oxford necessitano di una manutenzione minima, tuttavia è importante eseguire alcuni controlli e seguire delle procedure per garantirne la sicurezza. Segue un programma dettagliato delle operazioni da eseguire QUOTIDIANAMENTE. I controlli quotidiani e la manutenzione, l'ispezione e il test da eseguire ogni sei mesi garantiscono il mantenimento del sollevatore in condizioni ottimali per un funzionamento sicuro. Su richiesta è disponibile un elenco delle parti di ricambio.

Il **TEST DI CARICO** e la certificazione devono essere eseguiti solo da personale qualificato o da un rivenditore autorizzato.

LISTA DI CONTROLLO QUOTIDIANA: Joerns Healthcare raccomanda vivamente che i seguenti controlli vengano eseguiti ogni giorno e prima di utilizzare il sollevatore.

- ASSICURARSI che il sollevatore si muova liberamente sulle ruote piroettanti.
- VERIFICARE che la barra di aggancio (a corna di bue) sia saldamente fissata al braccio.
- VERIFICARE che i ganci dell'imbracatura e i fermagli di fissaggio sulla barra di aggancio e sul braccio non presentino usura eccessiva.
- ASSICURARSI che la base si apra e si chiuda correttamente.
- ATTIVARE il telecomando per verificare che il braccio si alzi e si abbassi correttamente.
- VERIFICARE che il pannello della centralina di controllo non visualizzi il simbolo illuminato di un cacciavite e che non venga emesso alcun segnale acustico quando si premono i pulsanti di sollevamento/abbassamento.
- VERIFICARE il funzionamento del pulsante di arresto di emergenza.
- ASSICURARSI che le imbracature non siano logore o in qualche modo danneggiate. NON usare l'imbracatura se è danneggiata.
- ASSICURARSI che, quando si usa il telecomando, non venga emesso il segnale acustico relativo alle batterie quasi scariche. Se il segnale viene emesso, NON usare il sollevatore e metterlo immediatamente sotto carica.
- ACCERTARSI CHE i collegamenti all'azionatore siano correttamente fissati.
- Prima dell'uso, ISPEZIONARE VISIVAMENTE tutti gli elementi di fissaggio/morsetti e verificare che siano correttamente serrati.

Manutenzione, Ispezione e Test

Joerns Healthcare raccomanda di eseguire regolarmente un controllo e un test approfonditi del sollevatore Oxford Ascend, degli accessori di sollevamento, delle imbracature, dei bilancieri ecc. La frequenza delle ispezioni dipende dalla località, pertanto è necessari concordare la frequenza delle ispezioni con il rivenditore o con le Agenzie governative locali. L'ispezione e i test devono essere condotti secondo le raccomandazioni e le procedure riportate di seguito. Joerns Healthcare raccomanda che la manutenzione, le ispezioni e le prove certificate vengano eseguite esclusivamente da un agente di un Centro di assistenza/Rivenditore autorizzato.

NOTA: Queste raccomandazioni sono conformi ai requisiti in materia di salute e di sicurezza previsti dai Regolamenti n. 2307 del 1998 del Regno Unito: The Lifting Operations and Lifting Equipment Regulations 1998. Queste sono norme britanniche.

Quando il sistema viene usato al di fuori del Regno Unito, verificare quali sono i requisiti locali in vigore.

Pulizia

Pulire con sapone comune e acqua e/o un qualsiasi disinfettante per superfici dure. Non utilizzare prodotti chimici acidi o abrasivi in quanto possono danneggiare la superficie verniciata del sollevatore. Evitare di bagnare le parti elettriche. Dopo la pulizia asciugare completamente l'unità.

Smaltimento a fine vita

Batteria: Tutte le batterie del prodotto e tutti gli accessori devono essere riciclati separatamente. Le batterie devono essere smaltite attenendosi alle normative locali o nazionali in vigore.

Imbracature: Le imbracature e gli accessori associati devono essere considerati come materiali infiammabili attenendosi ai regolamenti di smaltimento locali in vigore.

*** I CONTROLLI DEVONO COMPRENDERE:**

	Inizial- mente	Primo dell'uso	Frequenza assistenza
1. BRACCIO: Controllare l'attacco del braccio alla colonna. Assicurarsi che il movimento laterale del braccio sia minimo e che il braccio sia libero di ruotare sul suo sostegno.	✓	✓	✓
2. PUNTI DI ATTACCO DELL'IMBRACATURA: Verificare che i ganci dell'imbracatura e i fermagli di fissaggio sulla barra di aggancio e sul braccio non presentino usura eccessiva.	✓	✓	✓
3. COLONNA: Verificare il funzionamento del dispositivo di bloccaggio della colonna. Assicurarsi che la colonna sia completamente inserita nella base.	✓	✓	✓
4. ATTUATORE: Non richiede alcuna manutenzione. È sufficiente controllarne il funzionamento corretto e rilevare eventuali rumori insoliti.			✓
5. GINOCCHIERA: Controllare che il regolatore della ginocchiera sia fissato in modo sicuro.	✓	✓	
6. SMART MONITOR: Controllo del funzionamento del pulsante di arresto di emergenza. Ispezione della presa dell'unità palmare per verificarne il corretto montaggio. Controllo del funzionamento dell'unità palmare. Controllo e conferma del corretto funzionamento dei controlli aggiuntivi. Il carico MINIMO richiesto dalla funzione di abbassamento manuale di emergenza dell'unità di sollevamento è di 30 kg.	✓	✓	✓
7. BATTERIE: Sono situate in un gruppo e non richiedono alcuna manutenzione. È sufficiente caricarle regolarmente secondo le istruzioni fornite. Controllare che i collegamenti siano sempre puliti.			✓
8. BATTERIE (Caricamento): Quando si usa l'unità palmare controllare che il sollevatore non visualizzi un segnale di batteria quasi scarica. In caso di emissione di un segnale acustico di allarme non usare il dispositivo e ricaricare immediatamente la batteria.	✓	✓	
9. REGOLAZIONE DELLE GAMBE: Controllare che le gambe si estendano completamente in entrambe le direzioni (interna/esterna).	✓	✓	✓
10. RUOTE PIROETTANTI: Assicurarsi che siano fissate saldamente alla base. Verificare che tutte le ruote girino liberamente.	✓	✓	✓
11. PULIZIA: Pulire con un panno umido e acqua e sapone comune e/o con un disinfettante per superfici rigide. Non utilizzare prodotti chimici acidi o abrasivi in quanto possono danneggiare la superficie verniciata del sollevatore. Evitare di bagnare le parti elettriche. Dopo la pulizia asciugare completamente l'unità.		✓	✓
12. TEST DI CARICO: La prova di carico deve essere eseguita nel rispetto delle procedure di prova effettuate dal fabbricante. Si raccomanda vivamente di fare eseguire la prova da un Centro di assistenza autorizzato.			✓

	Inizial- mente	Primo dell'uso	Frequenza assistenza
13. BASE E RUOTE: accertarsi che la base si trovi su una superficie piana (tutte quattro le ruote devono appoggiare per terra).	✓	✓	✓
14. IMBRACATURE: Verificare che non siano presenti segni di usura o sfilacciate.	✓	✓	✓
15. LUBRIFICAZIONE: Oliare gli snodi dei perni, compresi i collegamenti della colonna e del braccio, del gruppo del pedale e gli snodi della barra di aggancio (solo se necessario).			✓
16. TELECOMANDO: Accertarsi che sia correttamente collegato alla centralina.	✓	✓	

11. Specifiche tecniche

Portata di sicurezza	440 lbs	200 kg
Lunghezza totale massima.....	43,3 pollici	1100 mm
Lunghezza totale minima	40,8 pollici	1035 mm
Altezza totale massima	66,5 pollici	1690 mm
Altezza totale minima	48,4 pollici	1230 mm
Altezza massima al punto di attacco.....	64,7 pollici	1644 mm
Altezza minima al punto di attacco	37 pollici	940 mm
Raggio di curva	51,9 pollici	1320 mm
Base aperta - larghezza esterna	39,1 pollici	995 mm
Base aperta - larghezza interna	34,8 pollici	885 mm
Base chiusa - larghezza esterna	24,8 pollici	630 mm
Base chiusa - larghezza interna	20,0 pollici	510 mm
Punto più largo (fra le maniglie di sostegno)	28,9 pollici	735 mm
Altezza complessiva base.....	4,7 pollici	120 mm
Distanza da terra	1,4 pollici	35 mm
Ruotine anteriori.....	4,0 pollicic	100 mm
Rotelle orientabili posteriori.....	4,0"	100 mm
Pesi		
Albero, base e braccio	97 lbs	44,0 kg
Pacco batterie	6,6 lbs	3,0 kg
Totale.....	103,6 lbs	47,0 kg
Base (esclusa la batteria).....	42,9 lbs.	19,5 kg
Albero e braccio (esclusa la batteria).....	45,1 lbs.	20,5 kg

NOTA: Le tolleranze di fabbricazione si applicano a tutte le dimensioni.

Specifiche elettriche

BATTERIE	24 V ricaricabili, al piombo acido, sigillate
CAPACITÀ BATTERIA.....	3,2 Ah
CARICO NOMINALE.....	100 - 240 V AC// 24 VDC 50/60 Hz
POTENZA NOMINALE.....	29,5 VDC, Max. 19 W

Protezione da shock elettrico

CARICABATTERIA	CLASSE II
SOLLEVATORE	ALIMENTAZIONE INTERNA

Grado di protezione da shock

CARICABATTERIA	TIPO B
SOLLEVATORE.....	TIPO B

Condizioni ambientali

Al di fuori di questo range di temperatura la funzionalità e la sicurezza possono essere compromesse.

Funzionamento:

Temperatura	5°C a 35°C
Umidità relativa.....	20-90% @ 30°C - Non condensante
Pressione atmosferica.....	700-1060 hPa

Conservazione:

Temperatura	5°C a +50°C
Umidità relativa.....	20-90% @ 30°C - Non condensante
Pressione atmosferica.....	700-1060 hPa

CLASSE IP

Centralina	IPX4
Attuatore.....	IPX4
Caricabatteria separato	IPX5
Batteria	IPX5
Telecomando	IPX5

CICLI DI RENDIMENTO

Attuatore.....	10% (2 min./18 min.)
Caricabatteria	Circa 4 h

ACUSTICA

Livello di potenza del suono di ponderatura A	55,6 dB (A)
---	-------------

SIMBOLI:

Sul caricabatterie, sull'unità di controllo e sulla batteria sono applicati i simboli seguenti:



Prodotto classificato come Dispositivo medico conforme al Regolamento (UE) 2027/745 relativo ai Dispositivi medici Regolamento 2017/745.



Apparecchiatura di tipo B, conforme alla norma EN 60601-1.



Apparecchiatura di Classe 2.



Smaltire le batterie separatamente dai rifiuti domestici indifferenziati. Le batterie devono essere smaltite nel rispetto dei regolamenti locali o nazionali in vigore.



Smaltire i componenti elettronici separatamente dai rifiuti domestici indifferenziati.



Per solo uso in ambienti interni.



ATTENZIONE: fare riferimento alla documentazione di accompagnamento



Prima dell'uso fare riferimento alle Istruzioni per l'utente (Sfondo blu).



Marchio di certificazione che indica la conformità ai requisiti richiesti per i prodotti commercializzati in Gran Bretagna.



Indicazioni per contattare il fabbricante di dispositivi medici non europeo, le Autorità nazionali competenti (Ministero della salute) ed Enti certificati.



Identificazione univoca del dispositivo destinata a fornire un'indicazione univoca e armonizzata per la distribuzione e l'utilizzo di Dispositivi medici.



Indica l'entità che importa il Dispositivo medico nel mercato locale.

Numero di registrazione dei produttori WEEE: WEE/GG0464RZ

12. Garanzia

Joerns Healthcare ha una propria rete di rivenditori autorizzati e di centri di assistenza che saranno lieti di gestire tutte le richieste di acquisto, garanzia, riparazione e manutenzione. Si raccomanda di fare eseguire la messa in servizio dei nostri prodotti da un rivenditore o da un centro di assistenza autorizzato.

I rivenditori o i centri di assistenza gestiscono i programmi di garanzia e, pertanto, è importante annotarne il nome, l'indirizzo e il numero di telefono, in modo da poterli contattare in caso di necessità. Se non si è sicuri di dove sia stato acquistato il sollevatore, Joerns Healthcare potrà rintracciare il rivenditore mediante il numero di serie del sollevatore.

Tutte le richieste di intervento in garanzia sono soggette all'uso appropriato e al rispetto del programma di manutenzione dell'apparecchiatura, così come descritti nel Manuale per l'utente fornito con ogni sollevatore. La garanzia non copre eventuali danni causati dall'uso in condizioni ambientali non appropriate, oppure dalla mancata osservanza del programma di manutenzione indicato nelle istruzioni per l'utente e di assistenza. Rimangono, tuttavia, inalterati i diritti garantiti dalle leggi in vigore.

RICORDARE: Per gli acquisti, le riparazioni, l'assistenza e gli interventi di manutenzione certificati rivolgersi sempre al rivenditore o a un centro di assistenza autorizzato.

Rivenditore/Distributore:



Joerns
Oxford®



Joerns Healthcare Limited
Drakes Broughton Business Park, Worcester Road, Drakes Broughton
Persore, Worcestershire, WR10 2AG United Kingdom
(T) 0344 811 1158
www.joerns.co.uk • email: info@joerns.co.uk